

POWERED SPEAKER DSR112/DSR115/DSR215/ DSR118W

SERVICE MANUAL



DSR112

DSR115

DSR215

DSR118W

■ CONTENTS (目次)

SPECIFICATIONS (総合仕様)	3
PANEL LAYOUT (パネルレイアウト)	5
CIRCUIT BOARD LAYOUT (ユニットレイアウト)	6
DIMENSIONS (寸法図)	8
DISASSEMBLY PROCEDURES (分解手順)	10
CIRCUIT BOARDS (シート基板図)	29
TEST PROGRAM (テストプログラム)	41
INSPECTIONS (検査)	51
UPDATING (アップデート)	66
PARTS LIST	
BLOCK DIAGRAM (ブロック図)	
OVERALL CIRCUIT DIAGRAM (総回路図)	

IMPORTANT NOTICE

This manual has been provided for the use of authorized Yamaha Retailers and their service personnel. It has been assumed that basic service procedures inherent to the industry, and more specifically Yamaha Products, are already known and understood by the users, and have therefore not been restated.

WARNING: Failure to follow appropriate service and safety procedures when servicing this product may result in personal injury, destruction of expensive components and failure of the product to perform as specified. For these reasons, we advise all Yamaha product owners that all service required should be performed by an authorized Yamaha Retailer or the appointed service representative.

IMPORTANT: This presentation or sale of this manual to any individual or firm does not constitute authorization, certification, recognition of any applicable technical capabilities, or establish a principal-agent relationship of any form.

The data provided is believed to be accurate and applicable to the unit(s) indicated on the cover. The research engineering, and service departments of Yamaha are continually striving to improve Yamaha products. Modifications are, therefore, inevitable and changes in specification are subject to change without notice or obligation to retrofit. Should any discrepancy appear to exist, please contact the distributor's Service Division.

WARNING: Static discharges can destroy expensive components. Discharge any static electricity your body may have accumulated by grounding yourself to the ground bus in the unit (heavy gauge black wires connect to this bus).

IMPORTANT: Turn the unit OFF during disassembly and parts replacement. Recheck all work before you apply power to the unit.

WARNING: This product contains chemicals known to the State of California to cause cancer, or birth defects or other reproductive harm.

DO NOT PLACE SOLDER, ELECTRICAL/ELECTRONIC OR PLASTIC COMPONENTS IN YOUR MOUTH FOR ANY REASON WHAT SO EVER!

Avoid prolonged, unprotected contact between solder and your skin! When soldering, do not inhale solder fumes or expose eyes to solder/flux vapor!

If you come in contact with solder or components located inside the enclosure of this product, wash your hands before handling food.


IMPORTANT NOTICE FOR THE UNITED KINGDOM Connecting the Plug and Cord

WARNING: THIS APPARATUS MUST BE EARTHED

IMPORTANT: The wires in this mains lead are coloured in accordance with the following code:

GREEN-AND-YELLOW:	EARTH
BLUE:	NEUTRAL
BROWN:	LIVE


As the colours of the wires in the mains lead of this apparatus may not correspond with the coloured markings identifying the terminals in your plug, proceed as follows:


The wire which is coloured GREEN and YELLOW must be connected to the terminal in the plug which is marked by the letter E or by the safety earth symbol  or colored GREEN or colored GREEN and YELLOW.

The wire which is coloured BLUE must be connected to the terminal which is marked with the letter N or coloured BLACK.

The wire which is coloured BROWN must be connected to the terminal which is marked with the letter L or coloured RED.

■ WARNING (注意)

Components having special characteristics are marked  and must be replaced with parts having specification equal to those originally installed.

 印の商品は、安全を維持するために重要な部品です。交換する場合は、安全のために必ず指定の部品をご使用ください。

■ SPECIFICATIONS (総合仕様)

General Section		DSR112	DSR115	DSR215	DSR118W
System Type		12" 2-way, bi-amp powered speaker, bass-reflex type	15" 2-way, bi-amp powered speaker, bass-reflex type	Dual 15" 2-way, bi-amp powered speaker, bass-reflex type	18" Powered speaker, bass-reflex type
Frequency Range (-10dB)		55Hz — 20kHz	45Hz — 20kHz	45Hz — 20kHz	40Hz — 130Hz
Frequency Response (-3dB)		60Hz — 18kHz	55Hz — 18kHz	55Hz — 18kHz	50Hz — 110Hz
Coverage Angle		H90° x V60°			-
Crossover Type		FIR-X tuning™ (linear phase FIR filter)			-
Crossover Frequency		1.7kHz	1.7kHz	1.7kHz	-
Measured Maximum SPL (peak) IEC noise @ 1m		134dB SPL	136dB SPL	138dB SPL	132dB SPL
Amplifier Section					
Amplifier Type		Class-D			
Power Rating *1		1300W			800W
Low-Frequency		850W			800W
High-Frequency		450W			-
Cooling		Natural Convection			
Controls		LEVEL control, MIC/LINE switch, HPF switch, D-CONTOUR switch, FRONT LED DISABLE switch, POWER switch			LEVEL control, POLARITY switch, FRONT LED DISABLE switch, POWER switch
Indicators		PEAK (red), LIMIT (red), PROTECTION (red), POWER (green), Front (white), HPF (orange), D-CONTOUR (orange)			PEAK (red), LIMIT (red), PROTECTION (red), POWER (green), Front (white)
HPF Frequency		120Hz(-6dB) 24dB/oct			-
Boost Type		D-CONTOUR (Dynamic CONTOUR)			-
Protection	Load	POWER switch on/off: Mute			
		DC-fault: power supply shuts down automatically (reset manually)			
		Integral Power Protection: Limit the output (return automatically)			
		Clip limiting			
	Amplifier	Thermal: Limit the output or Mute (return automatically)			Thermal: Mute (return automatically)
		Output through current: Amplifier shuts down automatically (reset manually)			
Power supply	Thermal : Amplifier shuts down automatically (reset manually)				
	Over voltage: Power supply shuts down automatically (reset manually)				
Connectors	Input	XLR-3-31 x1 (Balanced) TRS Phone Jack x1 (Balanced)			XLR-3-31 x2 (Balanced)
	Output	XLR-3-32 x1 (Balanced) Parallel connection with INPUT			XLR-3-32 x2 (Balanced) Parallel connection with INPUT
	Power	AC inlet x1			
Power Consumption	1/8 Power	100W		140W	100W

DSR112/DSR115/DSR215/DSR118W

Transducer Section		DSR112	DSR115	DSR215	DSR118W
Low-Frequency		12" cone	15" cone	2 x 15" cone	18" cone
Magnet	Materials	Neodymium Magnet	Neodymium Magnet	Ferrite Magnet	Ferrite Magnet
Voice Coil	Diameter	3"	3"	2.5"	3"
High-Frequency		2" Titanium diaphragm compression driver			-
Magnet	Materials	Neodymium Magnet			-
Enclosure					
Material		LINE-X [®] coated wood			
Dimensions (W x H x D)		370 x 638 x 368 mm (14-9/16" x 25-1/8" x 14-1/2")	442 x 755 x 423 mm (17-3/8" x 29-3/4" x 16-5/8")	467 x 1158 x 520 mm (18-3/8" x 45-9/16" x 20-1/2")	520 x 638 x 584 mm (20-1/2" x 25-1/8" x 23")
Weight		21.2 kg (46 lbs)	28.0 kg (61 lbs)	49.8 kg (109 lbs)	42.0 kg (92 lbs)
Externals Finish, Color		LINE-X [®] , Black			
Grille		16 gauge matte black powder coated perforated steel grille			
Metal Handle		1pc (Top Board)	2pcs (Side Board)		
Pole Socket	Diameter	35mm (Bottom Board)		-	35mm (Top Board)
Flying Hardware		3 x M10 (Top L/R 1pc each, Bottom rear 1pc)		-	-

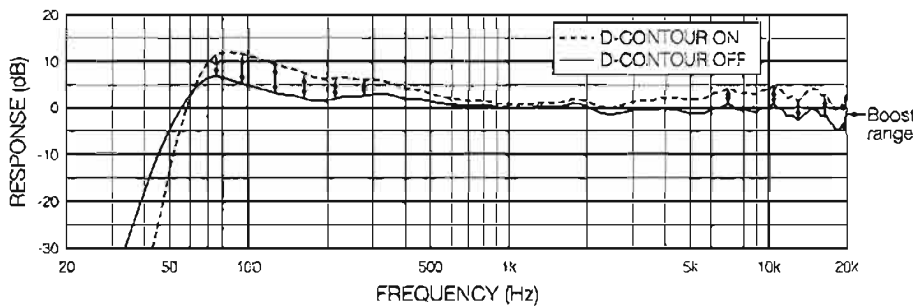
Input Characteristics

MIC/LINE switch: LINE		DSR112	DSR115	DSR215	DSR118W
Input Sensitivity	LEVEL position: maximum	0dBu			
	LEVEL position: center (12 o'clock)	+7dBu			-
Maximum Input Level		+24dBu			
Input Impedance		12kΩ			10kΩ
MIC/LINE switch: MIC					
Input Sensitivity	LEVEL position: maximum	-25dBu			
	LEVEL position: center (12 o'clock)	-11dBu			-
Maximum Input Level		-11dBu			
Input Impedance		8kΩ			-

0dBu is referenced to 0.775Vrms.

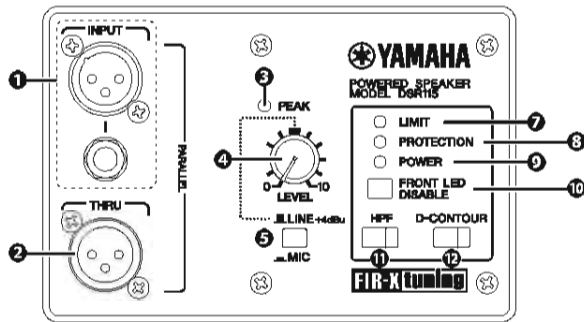
*1. THD+N=10% at minimum impedance

D-CONTOUR Frequency Response Chart

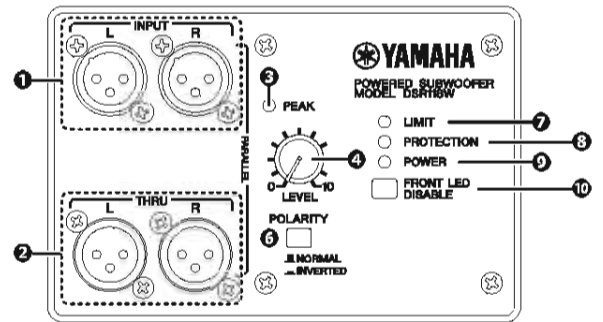


■ PANEL LAYOUT (パネルレイアウト)

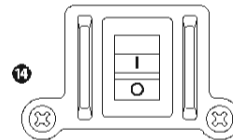
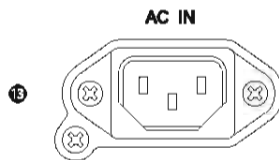
• Rear (リア部)



DSR112 / DSR115 / DSR215



DSR118W



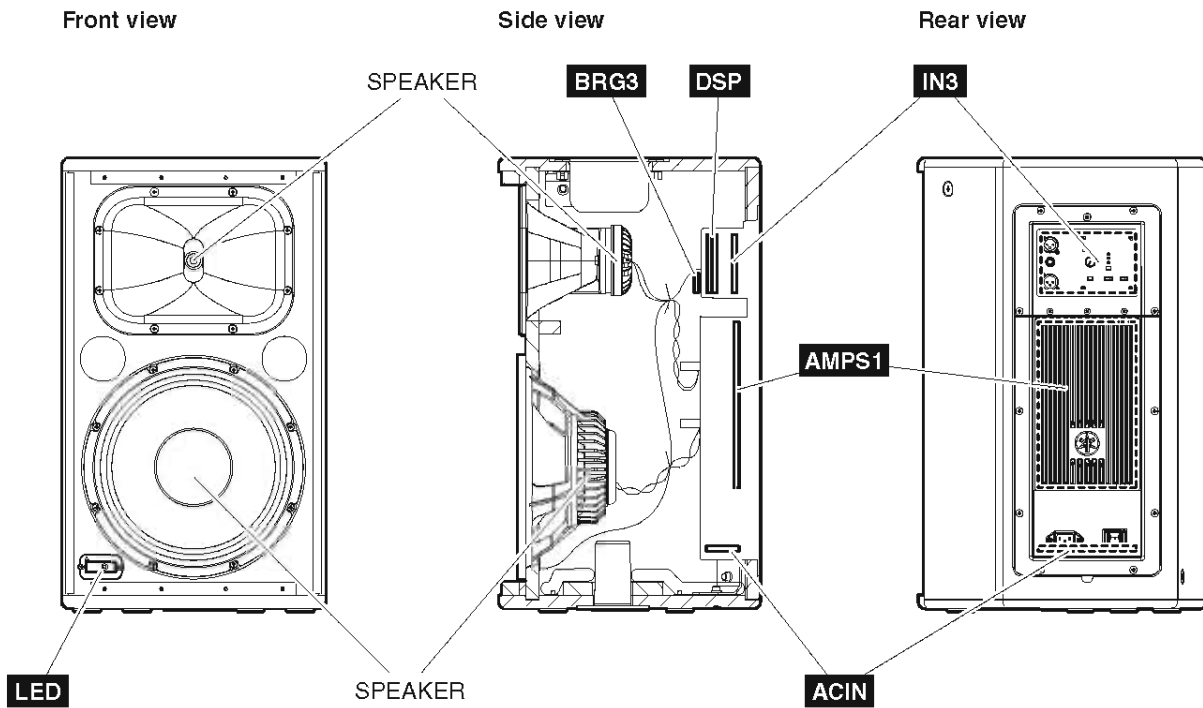
DSR112 / DSR115 / DSR215 / DSR118W

- ① INPUT jacks
- ② THRU jack(s)
- ③ PEAK Indicator
- ④ LEVEL control
- ⑤ MIC/LINE switch
(DSR112 / DSR115 / DSR215)
- ⑥ POLARITY switch
(DSR118W)
- ⑦ LIMIT indicator
- ⑧ PROTECTION indicator
- ⑨ POWER indicator
- ⑩ FRONT LED DISABLE switch
- ⑪ HPF switch
(DSR112 / DSR115 / DSR215)
- ⑫ D-CONTOUR switch
(DSR112 / DSR115 / DSR215)
- ⑬ AC IN socket
- ⑭ Power switch

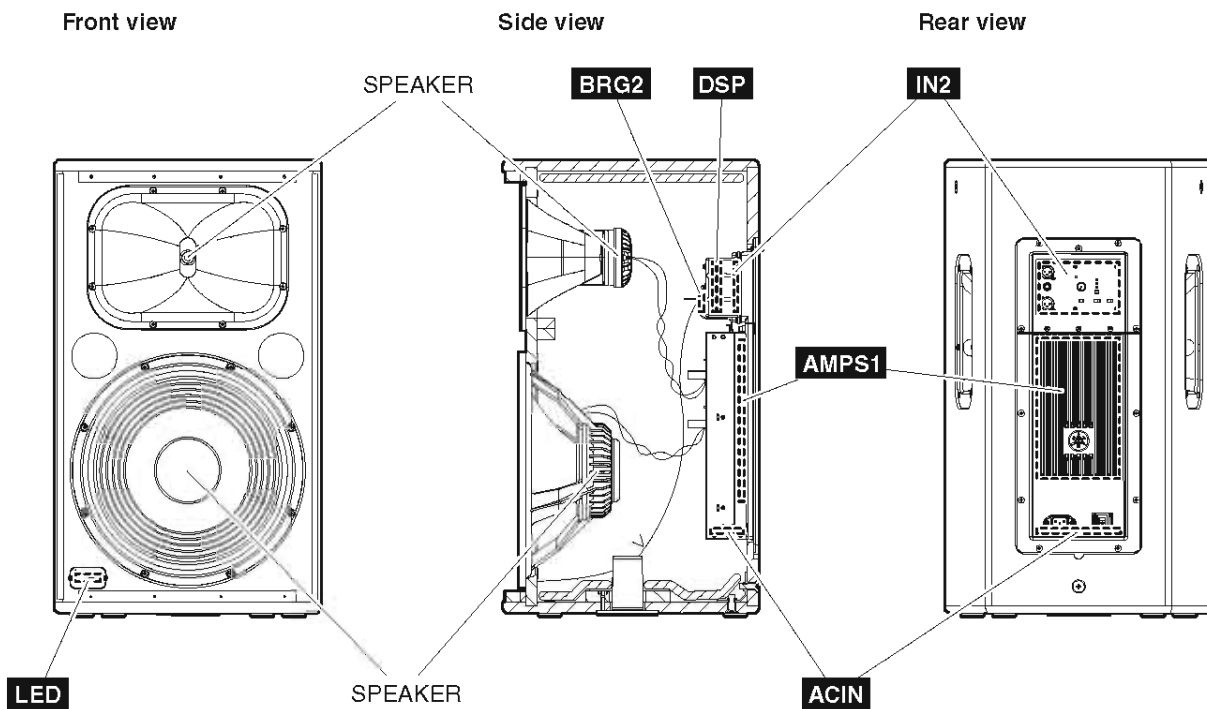
- ① INPUT 端子
- ② THRU 端子
- ③ PEAK インジケータ
- ④ LEVEL コントロール
- ⑤ MIC/LINE スイッチ
(DSR112/DSR115/DSR215)
- ⑥ POLARITY スイッチ
(DSR118W)
- ⑦ LIMIT インジケータ
- ⑧ PROTECTION インジケータ
- ⑨ POWER インジケータ
- ⑩ FRONT LED DISABLE スイッチ
- ⑪ HPF スイッチ
(DSR112/DSR115/DSR215)
- ⑫ D-CONTOUR スイッチ
(DSR112/DSR115/DSR215)
- ⑬ AC IN 端子
- ⑭ 電源スイッチ

■ CIRCUIT BOARD LAYOUT (ユニットレイアウト)

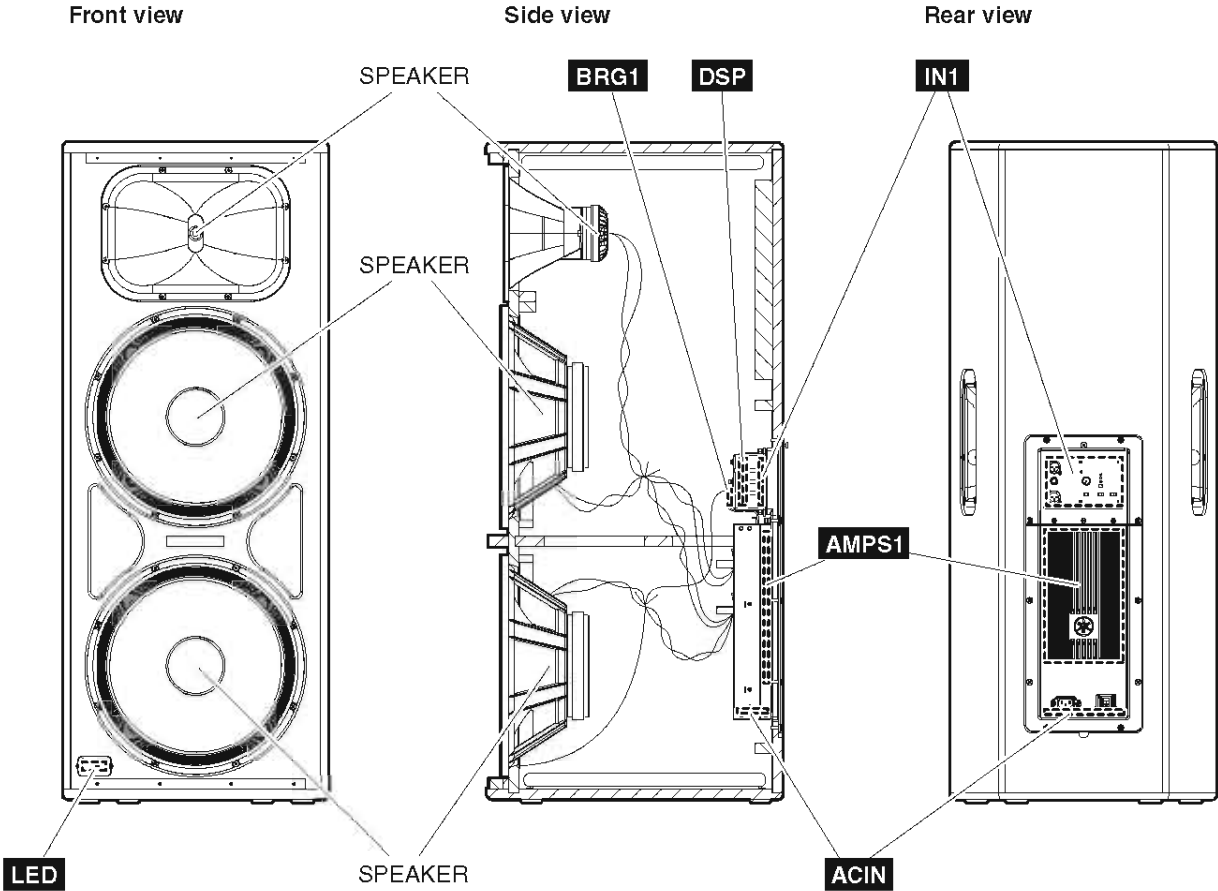
DSR112



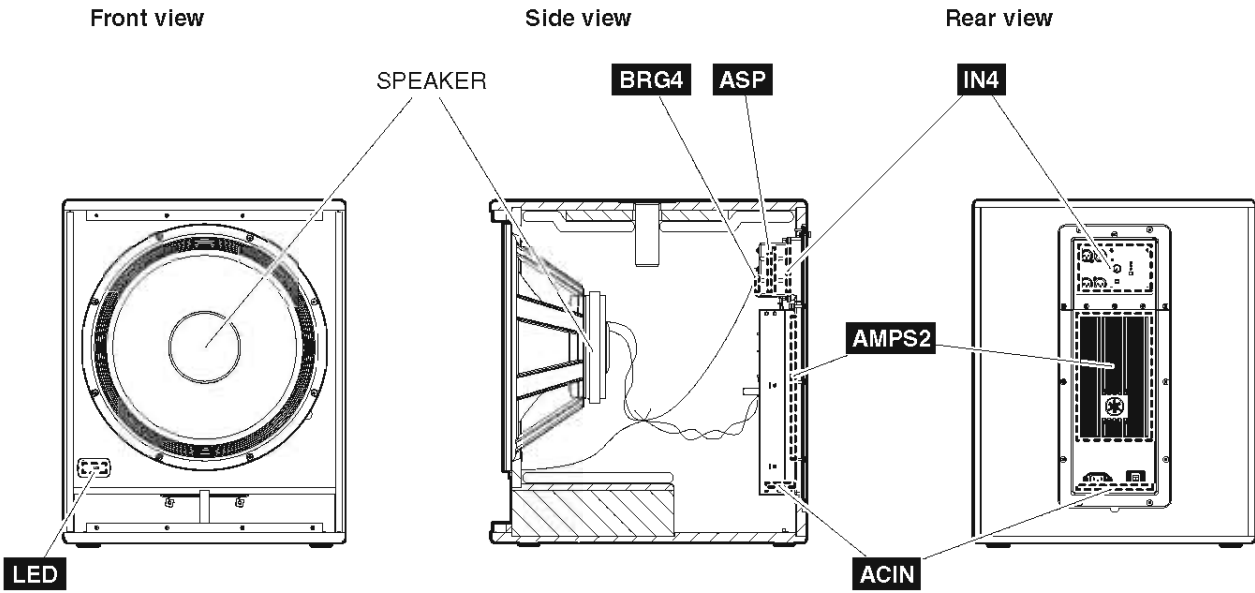
DSR115



DSR215

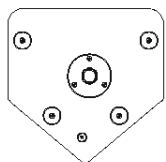
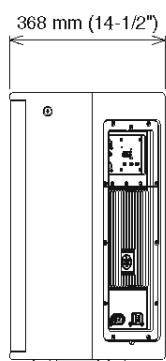
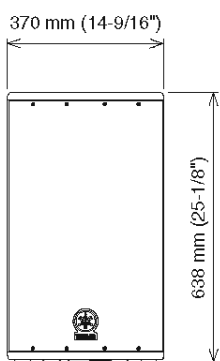
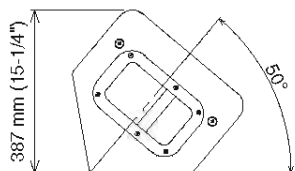
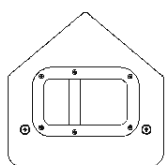


DSR118W

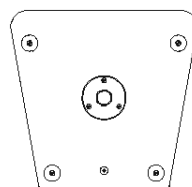
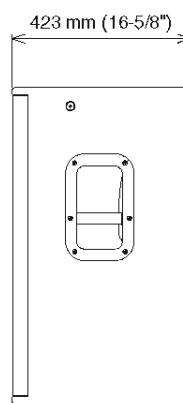
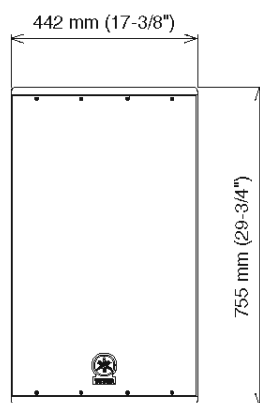
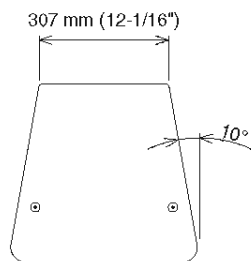


■ DIMENSIONS (寸法図)

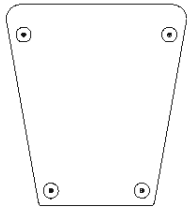
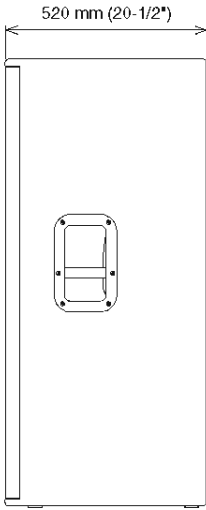
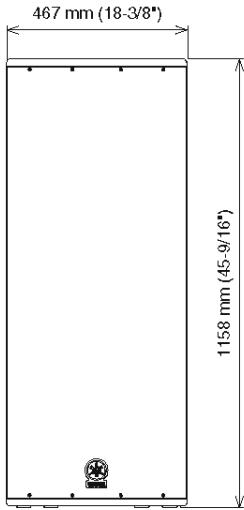
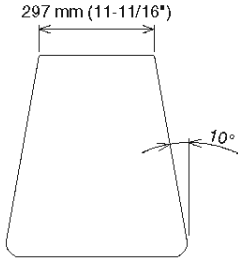
DSR112



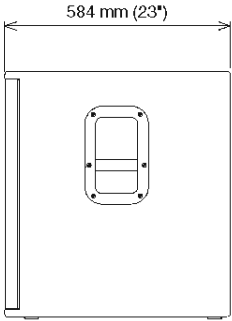
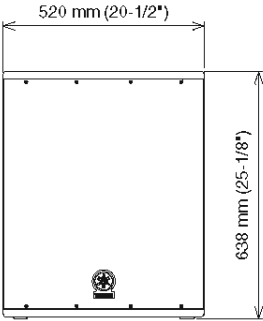
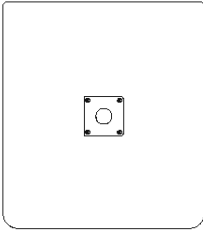
DSR115



DSR215



DSR118W



■ DISASSEMBLY PROCEDURES (分解手順)

Disassembly of DSR112

1. **Metal Grille Assembly (Time required: About 1 minute)**
 - 1-1. Remove the eight (8) screws marked [180]. The metal grille assembly can then be removed. (Fig. 1)
2. **Speaker (Time required: About 3 minutes)**
 - 2-1. Remove the metal grille assembly. (See procedure 1)
 - 2-2. Remove the eight (8) screws marked [40a]. (Fig. 2, 3)
 - 2-3. Insert the flat blade screwdriver or the like into the cavity of the cabinet, and push the speaker up to remove it. (Fig. 2, 3)
 - 2-4. Remove the wiring assembly from the speaker terminal. (Photo1)

* When installing the speaker, first tighten the four (4) priority screws in order as shown in Fig. 2.

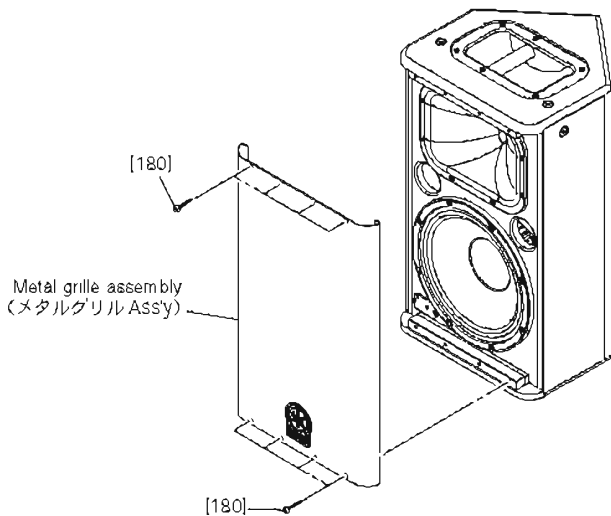


Fig. 1 (図 1)

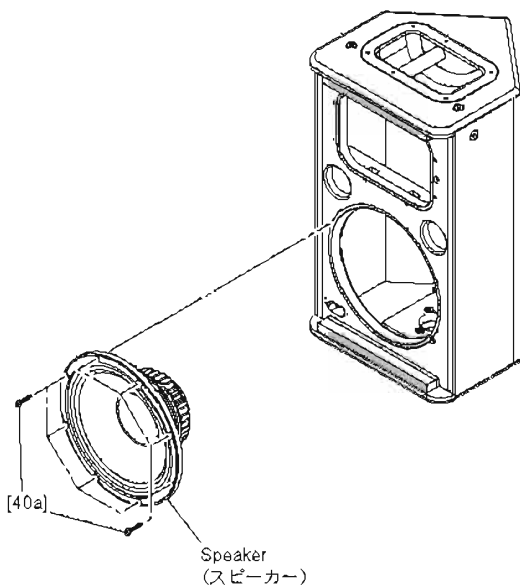


Fig. 3 (図 3)

DSR112の分解

1. **メタルグリル Ass'y (所要時間：約 1分)**
 - 1-1. [180] のネジ 8 本を外して、メタルグリル Ass'y を外します。(図 1)
2. **スピーカー (所要時間：約 3分)**
 - 2-1. メタルグリル Ass'y を外します。(1 項参照)
 - 2-2. [40a] のネジ 8 本を外します。(図 2、3)
 - 2-3. キャビネットの切り欠きにマイナスドライバーなどを差し込んで、スピーカーを浮かせて外します。(図 2、3)
 - 2-4. スピーカー端子に取り付けられている束線を外します。(写真 1)

※ スピーカーを取り付けるときは、優先ネジ 4 本を図に示す順番で先に締めてください。(図 2)

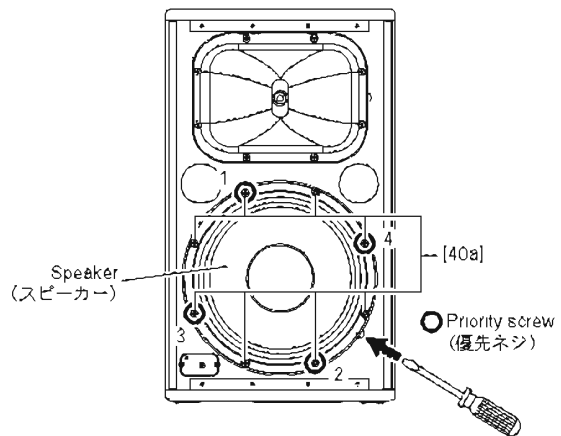


Fig. 2 (図 2)

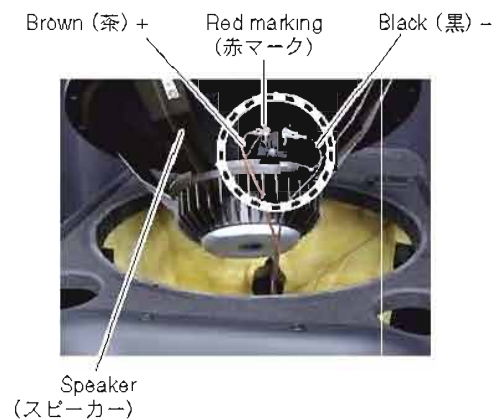


Photo. 1 (写真 1)

3. Horn Assembly

(Time required: About 3 minutes)

- 3-1. Remove the front grille assembly. (See procedure 1)
- 3-2. Remove the eight (8) screws marked [40b]. (Fig. 4, 5)
- 3-3. Insert the flat blade screwdriver or the like into the cavity of the cabinet, and push the horn assembly up to remove it. (Fig. 4, 5)
- 3-4. Remove the wiring assembly from the speaker terminal. (Photo. 2)

* When installing the horn assembly, first tighten the four (4) priority screws as shown in Fig. 4.

3. ホーン Ass'y

(所要時間：約 3 分)

- 3-1. メタルグリル Ass'y を外します。(1 項参照)
- 3-2. [40b] のネジ 8 本を外します。(図 4、5)
- 3-3. キャビネットの切り欠きにマイナスドライバーなどを差し込んで、ホーン Ass'y を浮かせて外します。(図 4、5)
- 3-4. スピーカー端子に取り付けられている束線を外します。(写真 2)

※ ホーン Ass'y を取り付けるときは、図に示す優先ネジ 4 本を先に締めてください。(図 4)

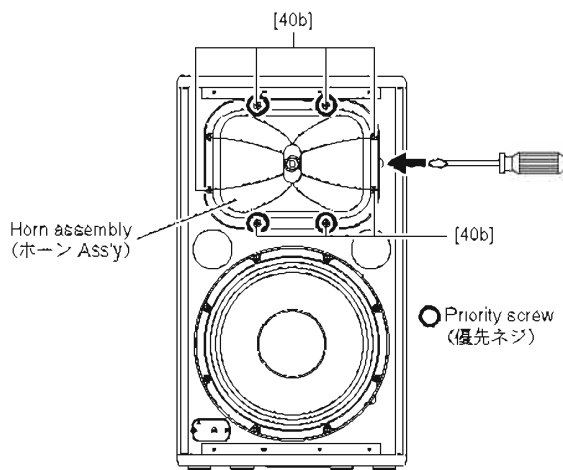


Fig. 4 (図 4)

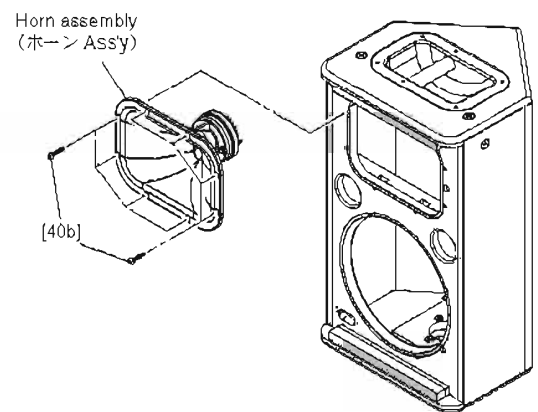


Fig. 5 (図 5)

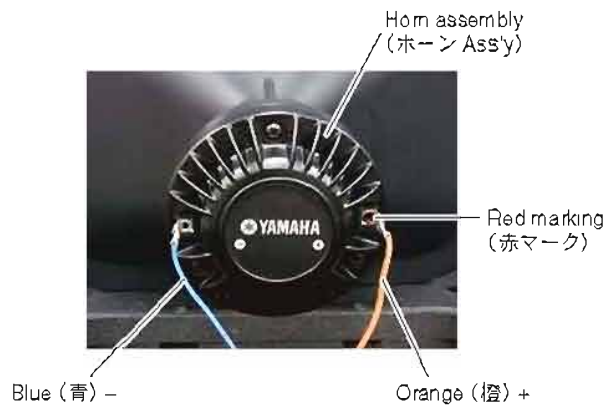


Photo. 2 (写真 2)

3-5. Horn

3-5-1 Remove the two (2) hexagonal head bolt marked [A],
(Fig. 6)
The horn and the speaker can then be separated. (Fig. 6)

3-6. Diaphragm Assembly

3-6-1 Remove the three (3) screw marked [B], and remove the
cover from the speaker. (Fig. 6)
The diaphragm assembly and the magnet can then be
separated. (Fig. 6)

3-5. ホーン

3-5-1 [A] の六角ボルト 2 本を外して、ホーンとスピーカ
に別けます。(図 6)

3-6. ダイアフラム Ass'y

3-6-1 [B] のネジ 3 本を外して、スピーカからカバーを
外します。(図 6)
ダイアフラム Ass'y とマグネットを別けます。(図 6)

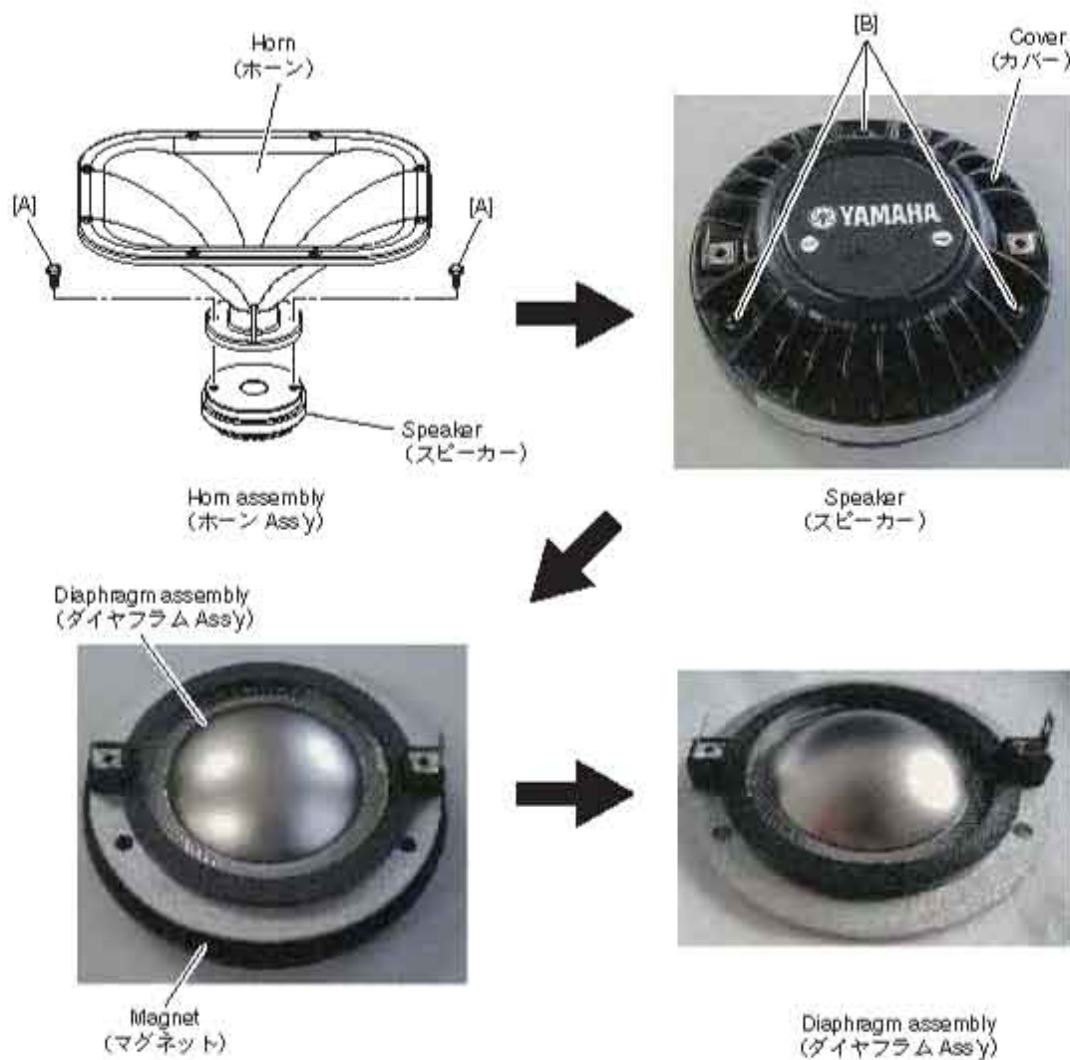


Fig. 6 (図 6)

4. LED Circuit Board

(Time required: About 2 minutes)

- 4-1. Remove the metal grille assembly. (See procedure 1)
- 4-2. Remove the two (2) screws marked [310]. The LED panel assembly can then be removed. (Fig. 7)
- 4-3. Remove the two (2) screws marked [300c]. The LED circuit board and the LED panel sub assembly can then be separated. (Fig. 7)

5. Amp Assembly 112

(Time required: About 2 minutes)

- 5-1. Remove the ten (10) screws marked [120]. (Fig. 8)
 - * When installing the amp assembly, first tighten the two (2) priority screws as shown in Fig. 8.
- 5-2. Follow the steps below to remove the amp assembly 112 carefully. (Fig. 8)
 - (1) Loosen the screw for removing the amp assembly.
 - * Loosen only ! Never remove this screw. Tighten the screw when installing the amp assembly.
 - (2) Insert the flat blade screwdriver or the like into the cavity of the cabinet, and push the bottom end of amp assembly up.
 - (3) Pull the screw for removing the amp assembly to move up the top end of the amp assembly.
 - (4) Hold both top and bottom of the amp assembly to remove it.
- 5-3. Disconnect the connectors of the wiring assemblies. (Fig. 8)

For about disassembly of amp assembly 112, refer to 25 page.

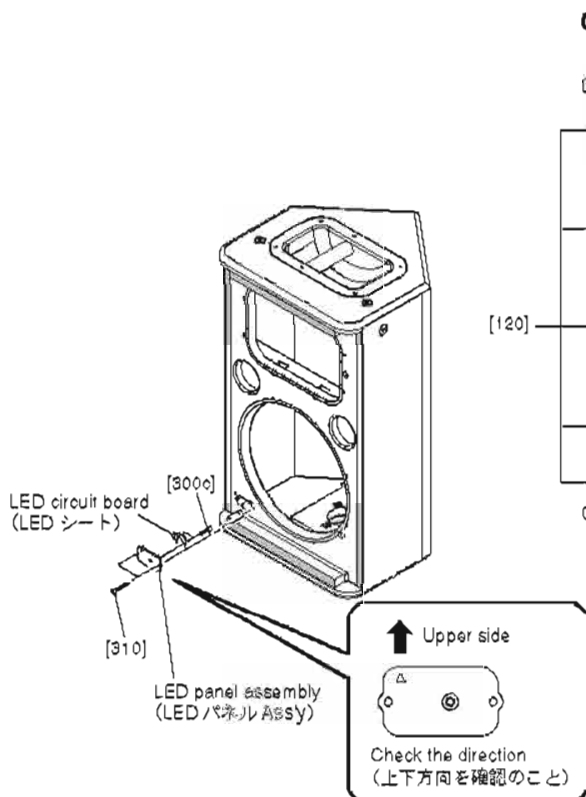


Fig. 7 (図 7)

4. LED シート

(所要時間：約 2 分)

- 4-1. メタルグリル Assy を外します。(1 項参照)
- 4-2. [310] のネジ 2 本を外して、LED パネル Assy を外します。(図 7)
- 4-3. [300c] のネジ 2 本を外して、LED シートと LED サブパネル Assy を別けます。(図 7)

5. アンプ Assy 112

(所要時間：各約 2 分)

- 5-1. [120] のネジ 10 本を外します。(図 8)
 - ※ アンプ Assy を取り付けるときは、図に示す優先ネジ 2 本を先に締めてください。(図 8)
- 5-2. 下記の手順で、慎重にアンプ Assy を取り外してください。(図 8)
 - (1) アンプ Assy 取り外し用ネジを緩めます。
 - ※ このネジは緩めるだけで、外さないように注意してください。アンプ Assy 取り付け時には、このネジを締めてください。
 - (2) キヤビネットの切り欠きにマイナスドライバーなどを差し込んで、アンプ Assy の下部を浮かせます。
 - (3) アンプ Assy 取り外し用ネジを手前に引いてアンプ Assy 上部を浮かせます。
 - (4) アンプ Assy の上部と下部を持って、取り外します。
- 5-3. 束線のコネクターを外します。(図 8)

アンプ Assy 112 の分解手順は 25 ページを参照してください。

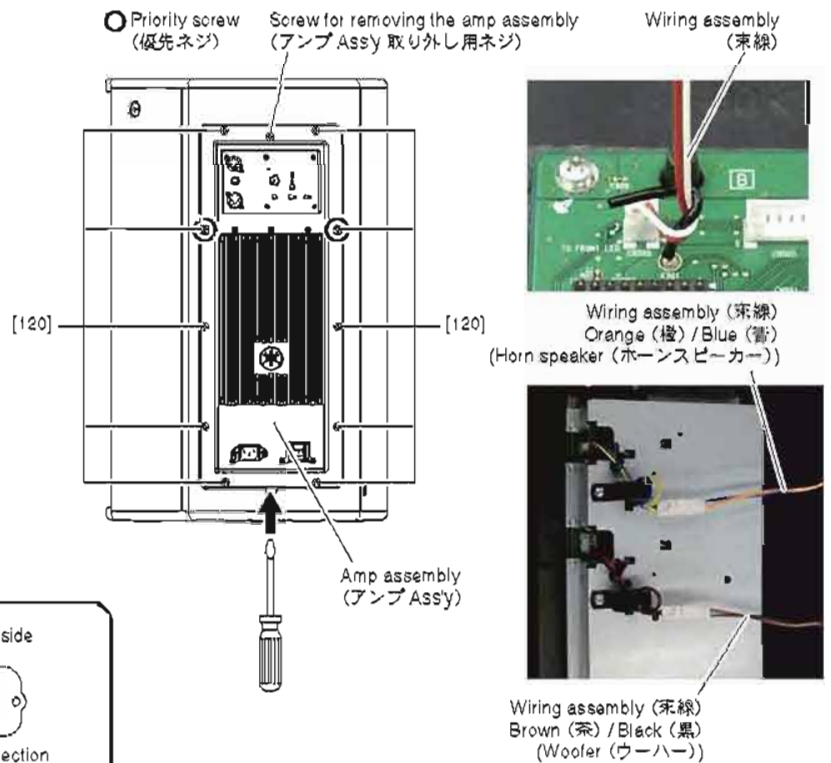


Fig. 8 (図 8)

Disassembly of DSR115

1. Metal Grille Assembly

(Time required: About 1 minute)

1-1. Remove the eight (8) screws marked [180]. The metal grille assembly can then be removed. (Fig. 1)

2. Speaker (Time required: About 3 minutes)

2-1. Remove the metal grille assembly. (See procedure 1)

2-2. Remove the eight (8) screws marked [40a]. (Fig. 2, 3)

2-3. Insert the flat blade screwdriver or the like into the cavity of the cabinet, and push the speaker up to remove it. (Fig. 2, 3)

2-4. Remove the wiring assembly from the speaker terminal. (Photo. 1)

* When installing the speaker, first tighten the four (4) priority screws in order as shown in Fig. 2.

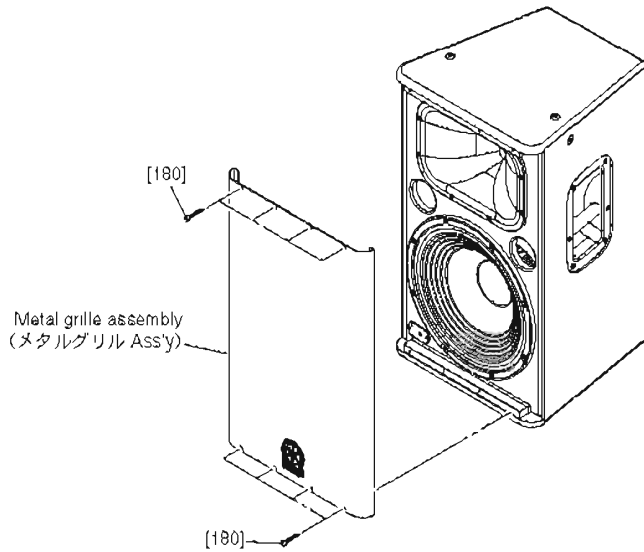


Fig. 1 (図 1)

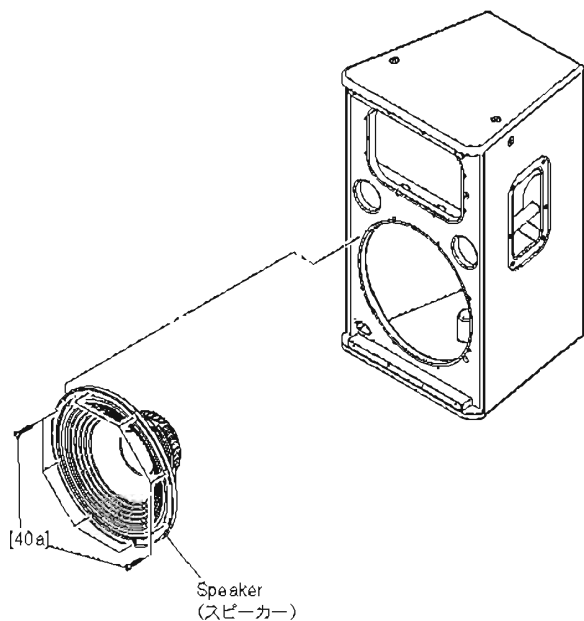


Fig. 3 (図 3)

DSR115 の分解

**1. メタルグリル Ass'y
(所要時間：約 1分)**

1-1. [180] のネジ 8 本を外して、メタルグリル Ass'y を外します。(図 1)

2. スピーカー (所要時間：約 3分)

2-1. メタルグリル Ass'y を外します。(1 項参照)

2-2. [40a] のネジ 8 本を外します。(図 2、3)

2-3. キャビネットの切り欠きにマイナスドライバーなどを差し込んで、スピーカーを浮かせて外します。(図 2、3)

2-4. スピーカー端子に取り付けられている束線を外します。(写真 1)

※ スピーカーを取り付けるときは、優先ネジ 4 本を図に示す順番で先に締めてください。(図 2)

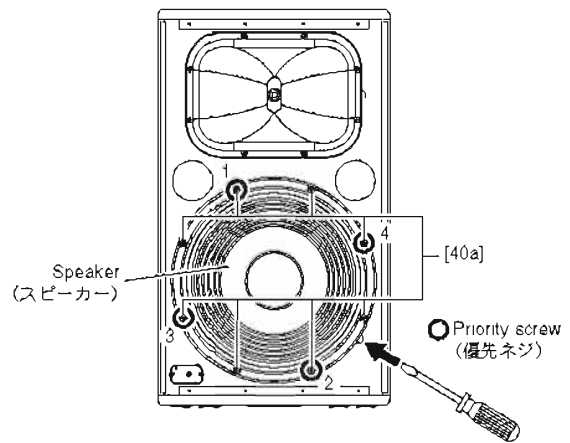


Fig. 2 (図 2)

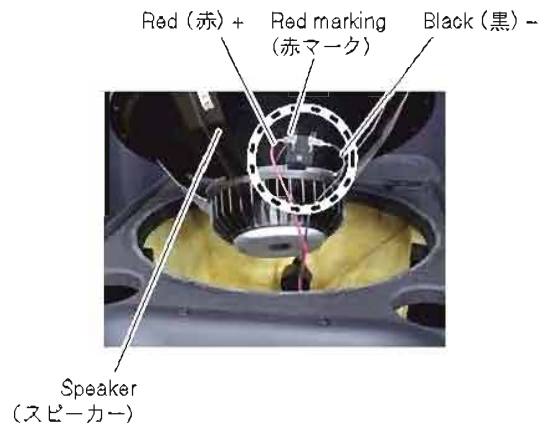


Photo. 1 (写真 1)

3. Horn Assembly
(Time required: About 3 minutes)

- 3-1. Remove the front grille assembly. (See procedure 1)
- 3-2. Remove the eight (8) screws marked [40b]. (Fig. 4, 5)
- 3-3. Insert the flat blade screwdriver or the like into the cavity of the cabinet, and push the horn assembly up to remove it. (Fig. 4, 5)
- 3-4. Remove the wiring assembly from the speaker terminal. (Photo. 2)

* When installing the horn assembly, first tighten the four (4) priority screws as shown in Fig. 4.

3. ホーン Ass'y
(所要時間：約 3 分)

- 3-1. メタルグリル Ass'y を外します。(1 項参照)
- 3-2. [40b] のネジ 8 本を外して、ホーン Ass'y を外します。(図 4、図 5)
- 3-3. キャビネットの切り欠きでマイナスドライバーなどを差し込んで、ホーン Ass'y を浮かせて外します。(図 4、図 5)
- 3-4. スピーカー端子に取り付けられている束線を外します。(写真 2)

※ ホーン Ass'y を取り付けるときは、図に示す優先ネジ 4 本を先に締めてください。(図 4)

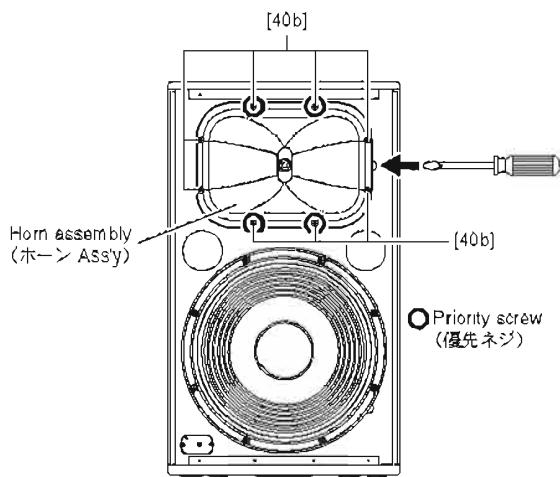


Fig. 4 (図 4)

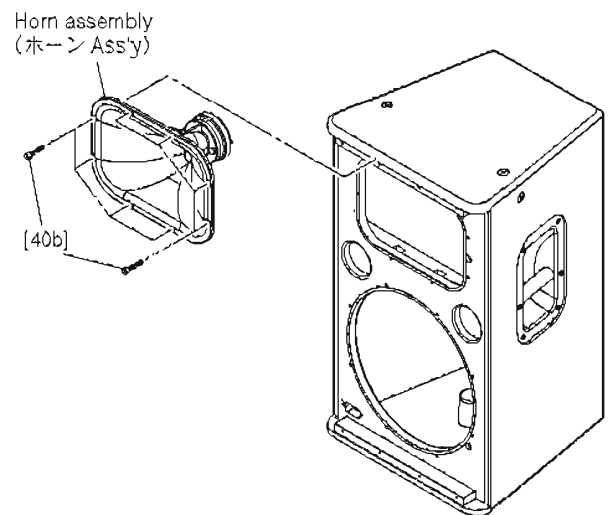


Fig. 5 (図 5)

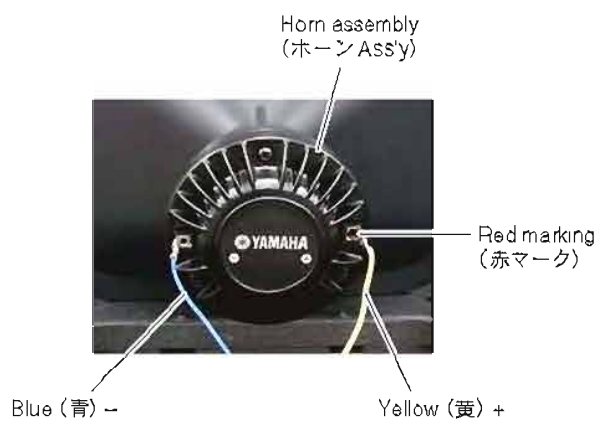


Photo. 2 (写真 2)

3-5. Horn

3-5-1 Remove the two (2) hexagonal head bolt marked [A], (Fig. 6)
The horn and the speaker can then be separated. (Fig. 6)

3-6. Diaphragm Assembly

3-6-1 Remove the three (3) screw marked [B], and remove the cover from the speaker. (Fig. 6)
The diaphragm assembly and the magnet can then be separated. (Fig. 6)

3-5. ホーン

3-5-1 [A] の六角ボルト 2 本を外して、ホーンとスピーカーに別けます。(図 6)

3-6. ダイアフラム Ass'y

3-6-1 [B] のネジ 3 本を外して、スピーカーからカバーを外します。(図 6)
ダイアフラム Ass'y とマグネットを別けます。(図 6)

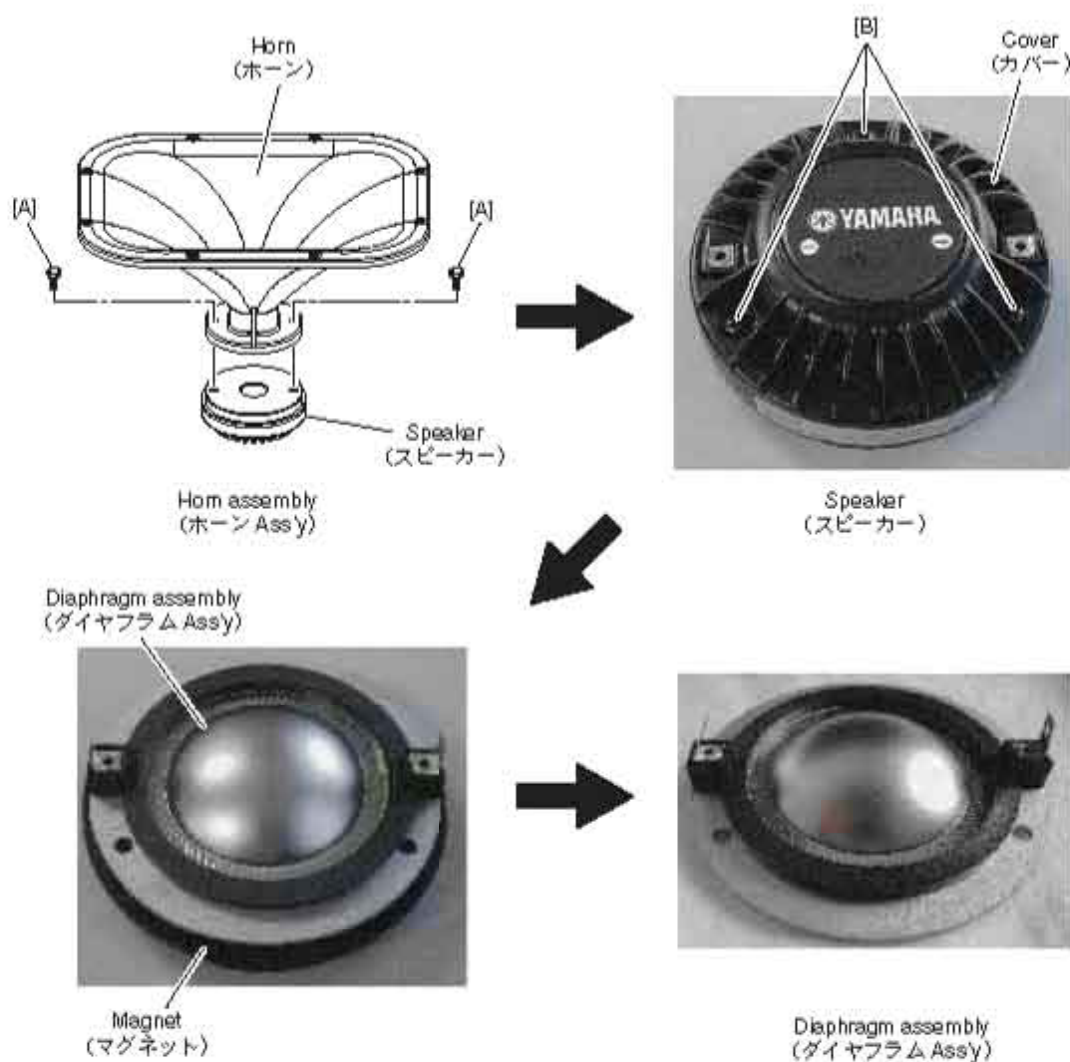


Fig. 6 (図 6)

- 4. LED Circuit Board
(Time required: About 2 minutes)**
- 4-1. Remove the metal grille assembly. (See procedure 1)
 - 4-2. Remove the two (2) screws marked [320]. The LED panel assembly can then be removed. (Fig. 7)
 - 4-3. Remove the two (2) screws marked [310c]. The LED circuit board and the LED panel sub assembly can then be separated. (Fig. 7)
- 5. Amp Assembly 115
(Time required: About 2 minutes)**
- 5-1. Remove the ten (10) screws marked [120]. (Fig. 8)
 - * When installing the amp assembly, first tighten the two (2) priority screws as shown in Fig. 8.
 - 5-2. Follow the steps below to remove the amp assembly 112 carefully. (Fig. 8)
 - (1) Loosen the screw for removing the amp assembly.
 - * Loosen only ! Never remove this screw. Tighten the screw when installing the amp assembly.
 - (2) Insert the flat blade screwdriver or the like into the cavity of the cabinet, and push the bottom end of amp assembly up.
 - (3) Pull the screw for removing the amp assembly to move up the top end of the amp assembly.
 - (4) Hold both top and bottom of the amp assembly to remove it.
 - 5-3. Disconnect the connectors of the wiring assemblies. (Fig. 8)
- For about disassembly of amp assembly 115, refer to 25 page.

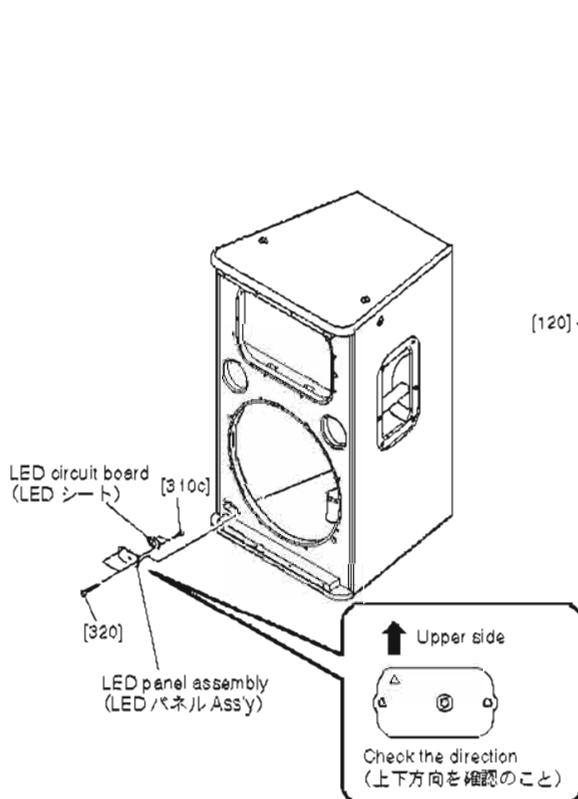


Fig. 7 (図 7)

- 4. LED シート
(所要時間：約 2 分)**
- 4-1. メタルグリル Ass'y を外します。(1 項参照)
 - 4-2. [320] のネジ 2 本を外して、LED パネル Ass'y を外します。(図 7)
 - 4-3. [310c] のネジ 2 本を外して、LED シートと LED サブパネル Ass'y を別けます。(図 7)
- 5. アンプ Ass'y 115
(所要時間：各約 2 分)**
- 5-1. [120] のネジ 10 本を外します。(図 8)
 - ※ アンプ Ass'y を取り付けるときは、図に示す優先ネジ 2 本を先に締めてください。
 - 5-2. 下記の手順で、慎重にアンプ Ass'y を取り外してください。(図 8)
 - (1) アンプ Ass'y 取り外し用ネジを緩めます。
 - ※ このネジは緩めるだけで、外さないように注意してください。アンプ Ass'y 取り付け時には、このネジを締めてください。
 - (2) キヤビネットの切り欠きにマイナスドライバーなどを差し込んで、アンプ Ass'y の下部を浮かせます。
 - (3) アンプ Ass'y 取り外し用ネジを手前に引いてアンプ Ass'y 上部を浮かせます。
 - (4) アンプ Ass'y の上部と下部を持って、取り外します。
 - 5-3. 束線のコネクターを外します。(図 8)
 - アンプ Ass'y 115 の分解手順は 25 ページを参照してください。

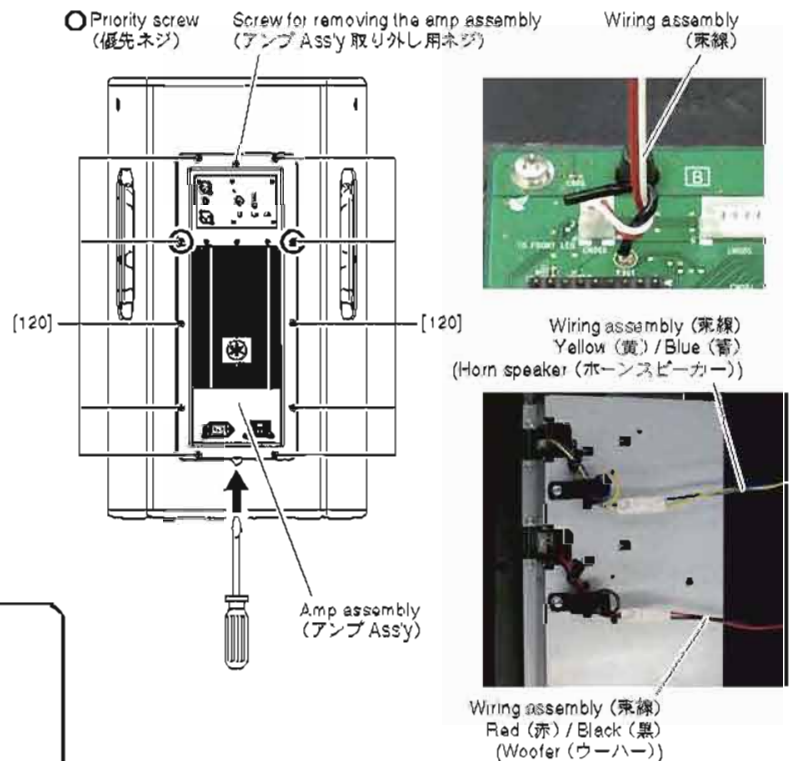


Fig. 8 (図 8)

Disassembly of DSR215

1. Metal Grille Assembly

(Time required: About 1 minute)

- 1-1. Remove the eight (8) screws marked [180]. The metal grille assembly can then be removed (Fig. 1)

2. Upper and Lower Speakers

(Time required: About 3 minutes for each)

- 2-1. Remove the metal grille assembly. (See procedure 1)
- 2-2. Remove the eight (8) screws marked [40a]. (Fig. 2, 3)
- 2-3. Insert the flat blade screwdriver or the like into the cavity of the cabinet, and push the upper speaker up to remove it. (Fig. 2, 3)
- 2-3. Remove the wiring assembly from the speaker terminal. (Photo. 1)

* When installing the speaker, first tighten the four (4) priority screws in order as shown in Fig. 2.

* The lower speaker can be removed in the same manner.

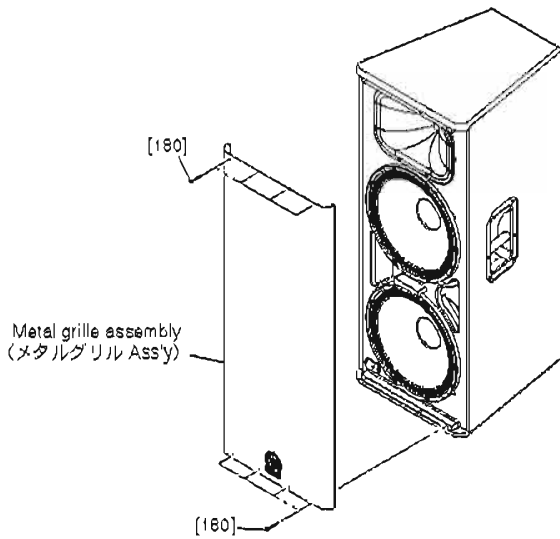


Fig. 1 (図 1)

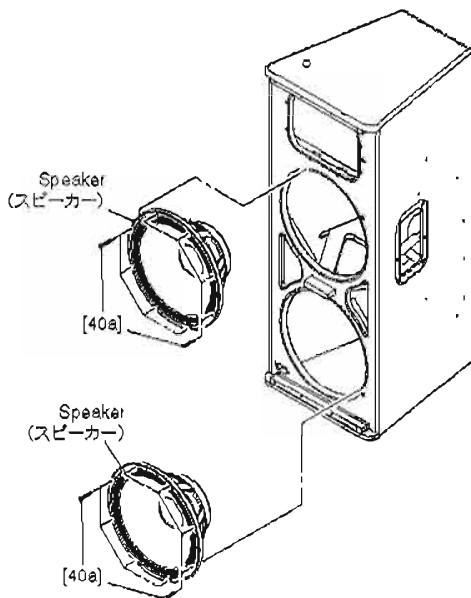


Fig. 3 (図 3)

DSR215 の分解

1. メタルグリル Ass'y

(所要時間：約 1 分)

- 1-1. [180] のネジ 8 本を外して、メタルグリル Ass'y を外します。(図 1)

2. 上下スピーカー (所要時間：約各 3 分)

- 2-1. メタルグリル Ass'y を外します。(1 項参照)
- 2-2. [40a] のネジ 8 本を外します。(図 2、3)
- 2-3. キャビネットの切り欠きにマイナスイライパーなどを差し込んで、上側のスピーカーを浮かせて外します。(図 2、3)
- 2-3. スピーカー端子に取り付けられている束線を外します。(写真 1)

※ スピーカーを取り付けるときは、優先ネジ 4 本を図に示す順番で先に締めてください。(図 2)

※ 下側のスピーカーも同様の方法で取り外すことができます。

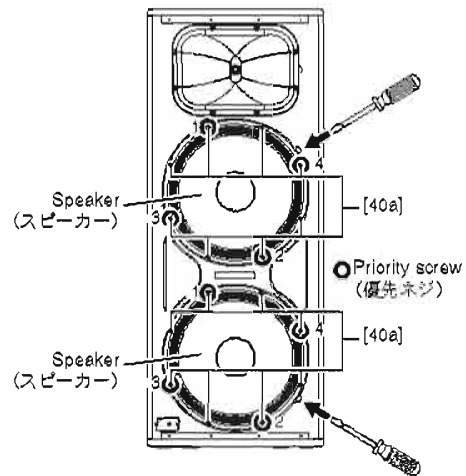


Fig. 2 (図 2)

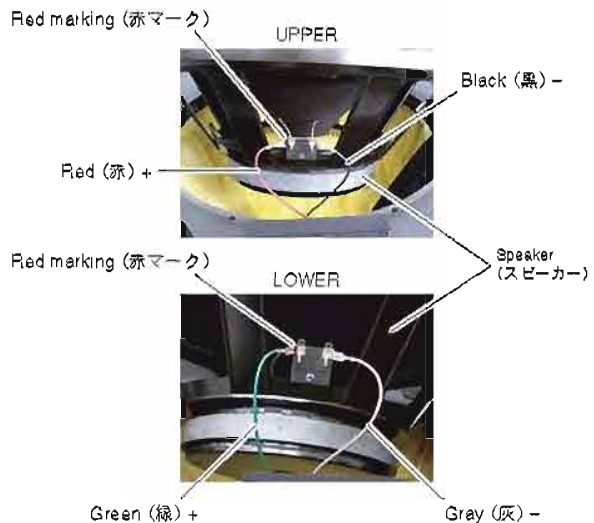


Photo. 1 (写真 1)

3. Horn Assembly

(Time required: About 3 minutes)

- 3-1. Remove the front grille assembly. (See procedure 1)
- 3-2. Remove the eight (8) screws marked [40b]. (Fig. 4, 5)
- 3-3. Insert the flat blade screwdriver or the like into the cavity of the cabinet, and push the horn assembly up to remove it. (Fig. 4, 5)
- 3-4. Remove the wiring assembly from the speaker terminal. (Photo. 2)

* When installing the horn assembly, first tighten the four (4) priority screws as shown in Fig. 4.

3. ホーン Ass'y

(所要時間：約 3 分)

- 3-1. メタルグリル Ass'y を外します。(1 項参照)
- 3-2. [40b] のネジ 8 本を外して、ホーン Ass'y を外します。(図 4、図 5)
- 3-3. キャビネットの切り欠きにマイナスドライバーなどを差し込んで、ホーン Ass'y を浮かせて外します。(図 4、図 5)
- 3-4. スピーカー端子に取り付けられている束線を外します。(写真 2)

※ ホーン Ass'y を取り付けるときは、図に示す優先ネジ 4 本を先に締めてください。(図 4)

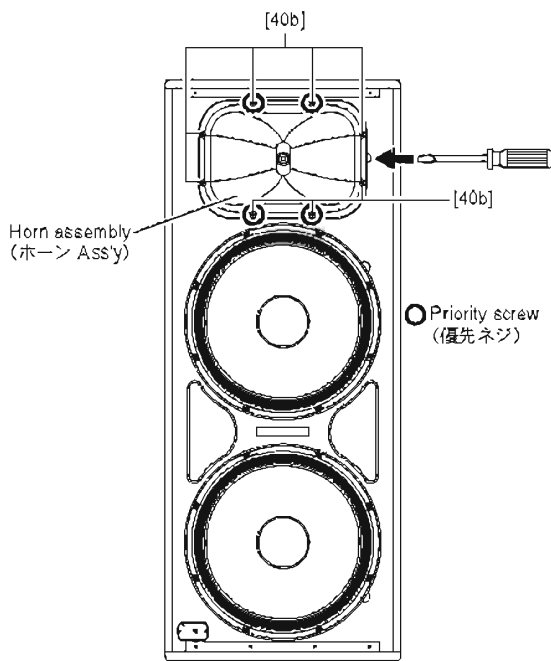


Fig. 4 (図 4)

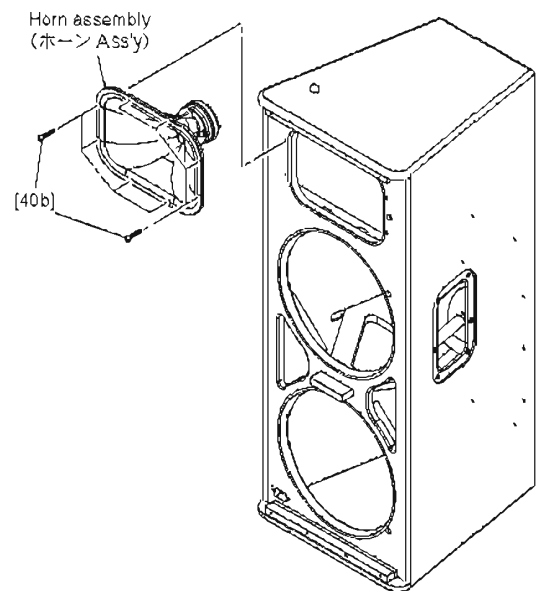


Fig. 5 (図 5)

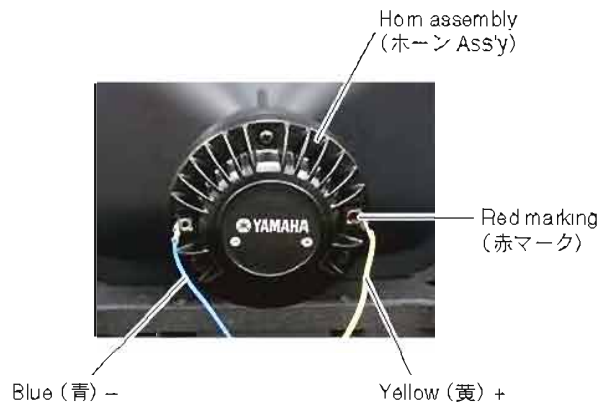


Photo. 2 (写真 2)

3-5. Horn

3-5-1 Remove the two (2) hexagonal head bolt marked [A]. The horn and the speaker can then be separated. (Fig. 6)

3-6. Diaphragm Assembly

3-6-1 Remove the three (3) screw marked [B], and remove the cover from the speaker. (Fig. 6)
The diaphragm assembly and the magnet can then be separated. (Fig. 6)

3-5. ホーン

3-5-1 [A] の六角ボルト 2 本を外して、ホーンとスピーカーに別けます。(図 6)

3-6. ダイアフラム Ass'y

3-6-1 [B] のネジ 3 本を外して、スピーカーからカバーを外します。(図 6)
ダイアフラム Ass'y とマグネットを別けます。(図 6)

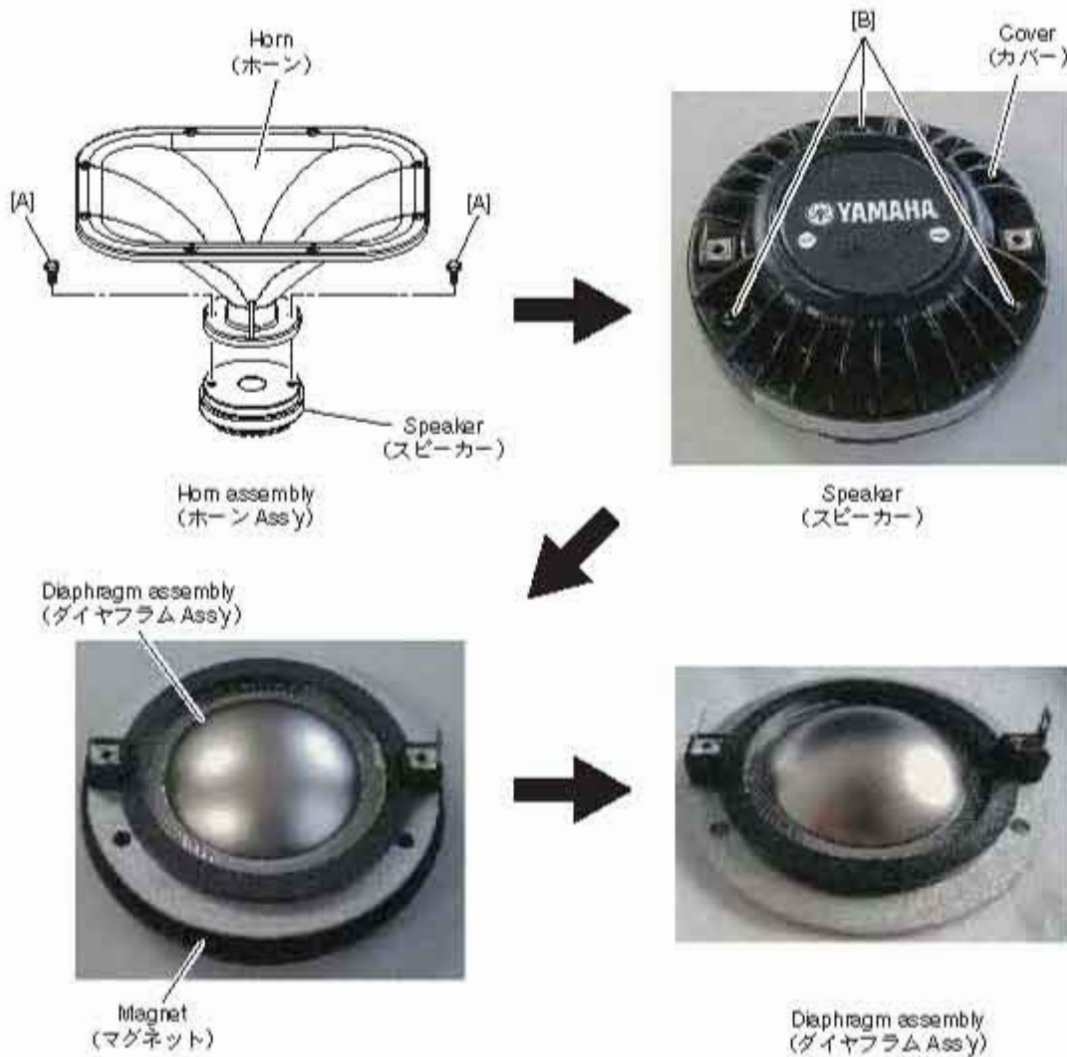


Fig. 6 (図 6)

**4. LED Circuit Board
(Time required: About 2 minutes)**

- 4-1. Remove the metal grille assembly. (See procedure 1)
- 4-2. Remove the two (2) screws marked [300]. The LED panel assembly can then be removed. (Fig. 7)
- 4-3. Remove the two (2) screws marked [290c]. The LED circuit board and the LED panel sub assembly can then be separated. (Fig. 7)

**5. Amp Assembly 215
(Time required: About 2 minutes)**

- 5-1. Remove the ten (10) screws marked [120]. (Fig. 8)
 - * When installing the amp assembly, first tighten the two (2) priority screws as shown in Fig. 8.
- 5-2. Follow the steps below to remove the amp assembly 112 carefully. (Fig. 8)
 - (1) Loosen the screw for removing the amp assembly.
 - * Loosen only ! Never remove this screw. Tighten the screw when installing the amp assembly.
 - (2) Insert the flat blade screwdriver or the like into the cavity of the cabinet, and push the bottom end of amp assembly up.
 - (3) Pull the screw for removing the amp assembly to move up the top end of the amp assembly.
 - (4) Hold both top and bottom of the amp assembly to remove it.
- 5-3. Disconnect the connectors of the wiring assemblies. (Fig. 8)

For about disassembly of amp assembly 215, refer to 25 page.

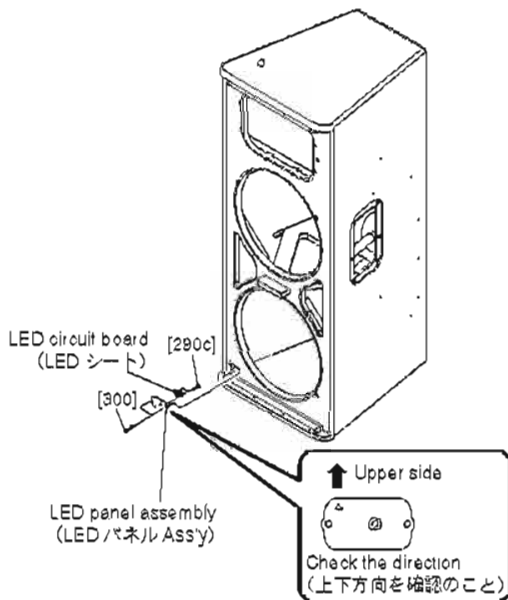


Fig. 7 (図 7)

**4. LED シート
(所要時間：約 2 分)**

- 4-1. メタルグリル Assy を外します。(1 項参照)
- 4-2. [300] のネジ 2 本を外して、LED パネル Assy を外します。(図 7)
- 4-3. [290c] のネジ 2 本を外して、LED シートと LED サブパネル Assy を別けます。(図 7)

**5. アンプ Assy 215
(所要時間：各約 2 分)**

- 5-1. [120] のネジ 10 本を外します。(図 8)
 - ※ アンプ Assy を取り付けるときは、図に示す優先ネジ 2 本を先に締めてください。(図 8)
- 5-2. 下記の手順で、慎重にアンプ Assy を取り外してください。(図 8)
 - (1) アンプ Assy 取り外し用ネジを緩めます。
 - ※ このネジは緩めるだけで、外さないように注意してください。アンプ Assy 取り付け時には、このネジを締めてください。
 - (2) キャビネットの切り欠きにマイナスドライバーなどを差し込んで、アンプ Assy の下部を浮かせます。
 - (3) アンプ Assy 取り外し用ネジを手前に引いてアンプ Assy 上部を浮かせます。
 - (4) アンプ Assy の上部と下部を持って、取り外します。
- 5-3. 束線のコネクターを外します。(図 8)

アンプ Assy 215 の分解手順は 25 ページを参照してください。

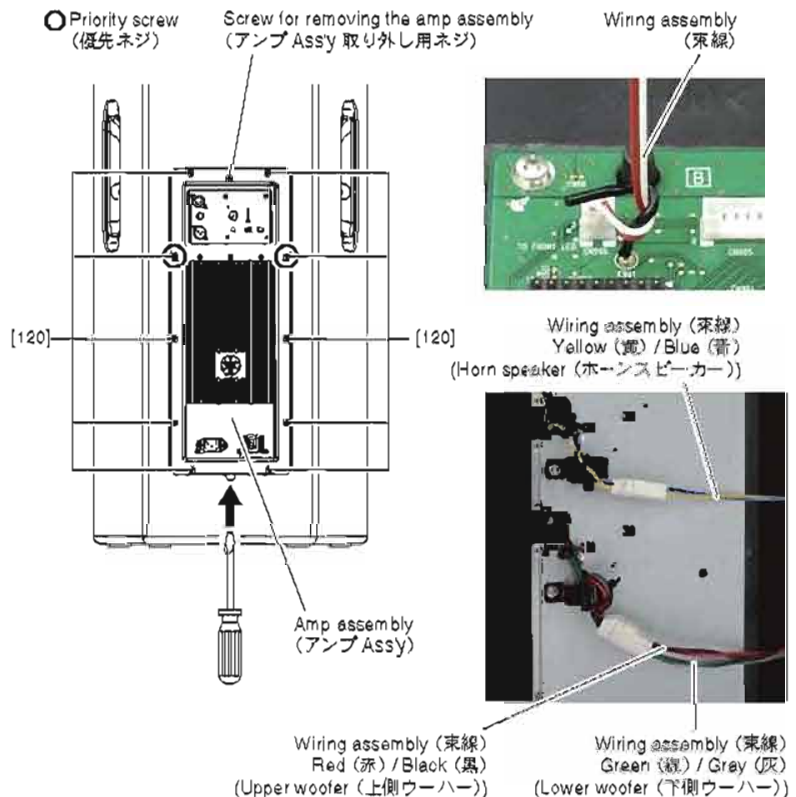


Fig. 8 (図 8)

Disassembly of DSR118W

1. Metal Grille Assembly

(Time required: About 1 minute)

1-1. Remove the eight (8) screws marked [150]. The metal grille assembly can then be removed (Fig. 1)

2. Speaker (Time required: About 3 minutes)

2-1. Remove the metal grille assembly. (See procedure 1)

2-2. Remove the eight (8) screws marked [40]. (Fig. 2)

2-3. Insert the flat blade screwdriver or the like into the cavity of the cabinet, and push the speaker up to remove it. (Fig. 2)

2-4. Remove the wiring assembly from the speaker terminal. (Photo. 1)

* When installing the speaker, first tighten the four (4) priority screws in order as shown in Fig. 2.

DSR118Wの分解

1. メタルグリル Ass'y

(所要時間：約 1分)

1-1. [150] のネジ 8 本を外して、メタルグリル Ass'y を外します。(図 1)

2. スピーカー (所要時間：約 3分)

2-1. メタルグリル Ass'y を外します。(1 項参照)

2-2. [40] のネジ 8 本を外します。(図 2)

2-3. キャビネットの切り欠きにマイナスドライバーなどを差し込んで、スピーカーを浮かせて外します。(図 2)

2-4. スピーカー端子に取り付けられている束線を外します。(写真 1)

※ スピーカーを取り付けるときは、優先ネジ 4 本を図に示す順番で先に締めてください。(図 2)

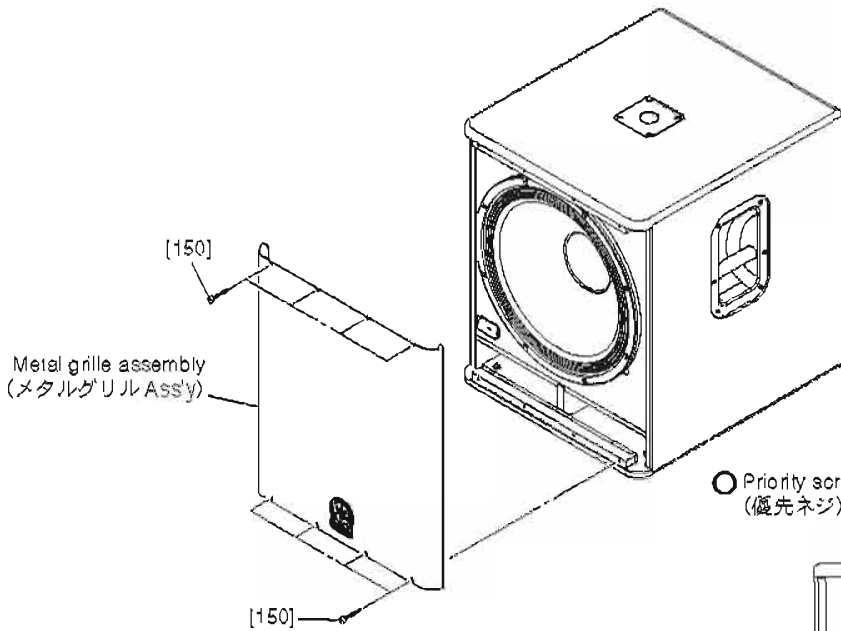


Fig. 1 (図 1)

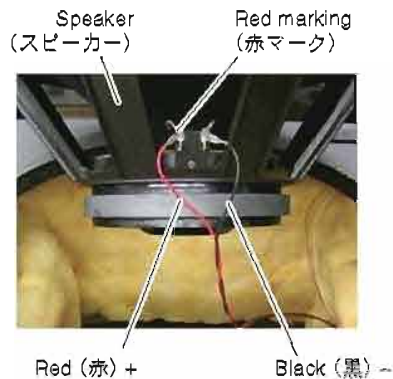


Photo. 1 (写真 1)

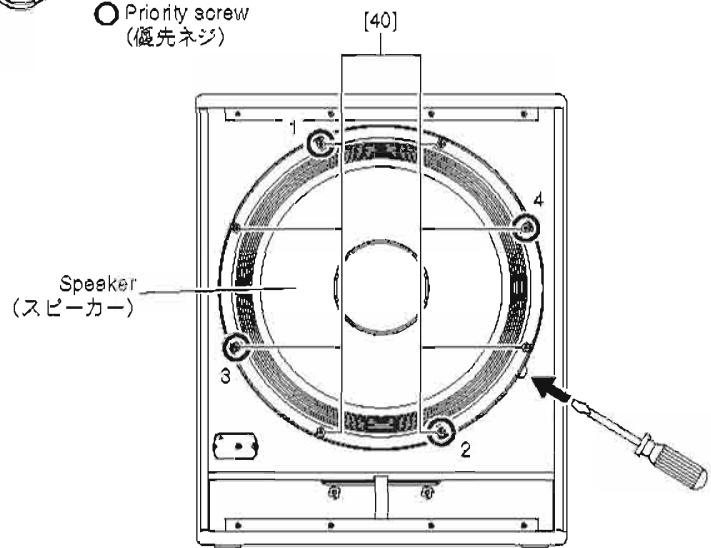


Fig. 2 (図 2)

3. LED Circuit Board (Time required: About 2 minutes)

- 3-1. Remove the metal grille assembly. (See procedure 1)
- 3-2. Remove the two (2) screws marked [280]. The LED panel assembly can then be removed. (Fig. 3)
- 3-3. Remove the two (2) screws marked [270c]. The LED circuit board and the LED panel sub assembly can then be separated. (Fig. 3)

3. LEDシート (所要時間：約2分)

- 3-1. メタルグリル Ass'y を外します。(1 項参照)
- 3-2. [280] のネジ 2 本を外して、LED パネル Ass'y を外します。(図 3)
- 3-3. [270c] のネジ 2 本を外して、LED シートと LED サブパネル Ass'y を別けます。(図 3)

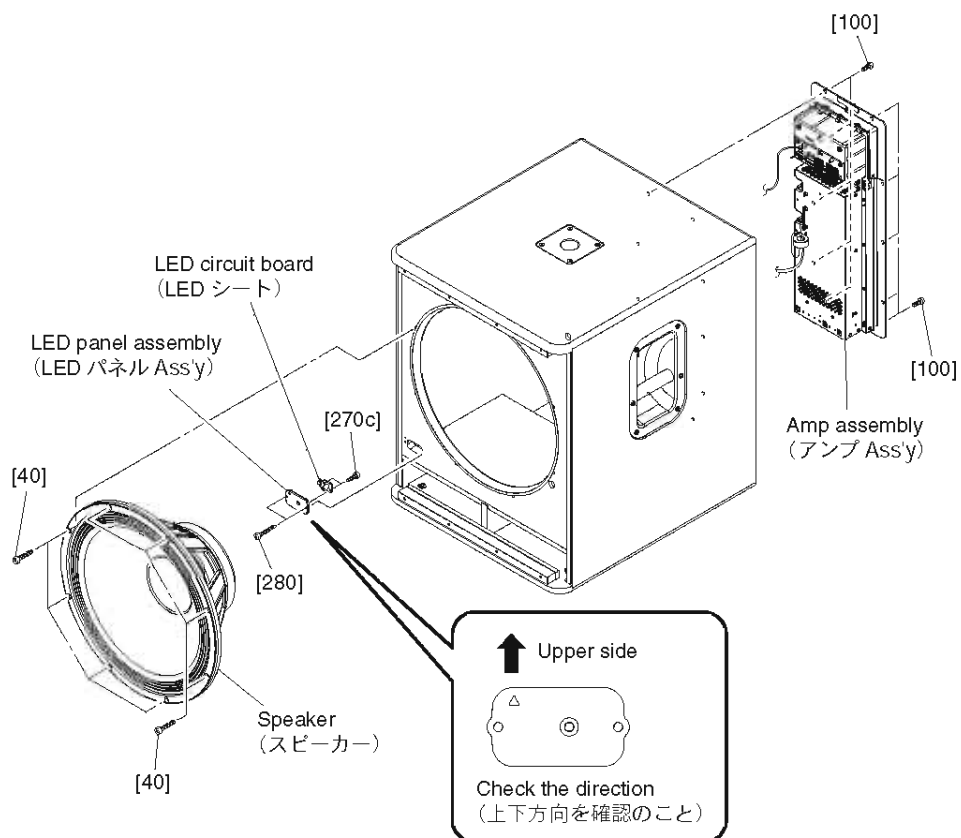


Fig. 3 (図 3)

4. Amp Assembly 118

(Time required: About 2 minutes)

4-1. Remove the ten (10) screws marked [100]. The amp assembly 118 can then be removed (Fig. 4)

* When installing the amp assembly, first tighten the two (2) priority screws as shown in Fig. 4.

4-2. Follow the steps below to remove the amp assembly 112 carefully. (Fig. 4)

- (1) Loosen the screw for removing the amp assembly.
* Loosen only ! Never remove this screw. Tighten the screw when installing the amp assembly.
- (2) Insert the flat blade screwdriver or the like into the cavity of the cabinet, and push the bottom end of amp assembly up.
- (3) Pull the screw for removing the amp assembly to move up the top end of the amp assembly.
- (4) Hold both top and bottom of the amp assembly to remove it.

4-3. Disconnect the connectors of the wiring assemblies. (Fig. 4)

For about disassembly of amp assembly 118, refer to 25 page.

4. アンブ Ass'y 118

(所要時間：各約 2分)

4-1. [100] のネジ 10 本を外して、アンブ Ass'y 118 を外します。(図 4)

※ アンブ Ass'y を取り付けるときは、図に示す優先ネジ 2 本を先に締めてください。(図 4)

4-2. 下記の手順で、慎重にアンブ Ass'y を取り外してください。(図 4)

- (1) アンブ Ass'y 取り外し用ネジを緩めます。
※ このネジは緩めるだけで、外さないように注意してください。アンブ Ass'y 取り付け時には、このネジを締めてください。
- (2) キャビネットの切り欠きにマイナスドライバーなどを差し込んで、アンブ Ass'y の下部を浮かせます。
- (3) アンブ Ass'y 取り外し用ネジを手前に引いてアンブ Ass'y 上部を浮かせます。
- (4) アンブ Ass'y の上部と下部を持って、取り外します。

4-3. 束線のコネクタを外します。(図 4)

アンブ Ass'y 118 の分解手順は 25 ページを参照してください。

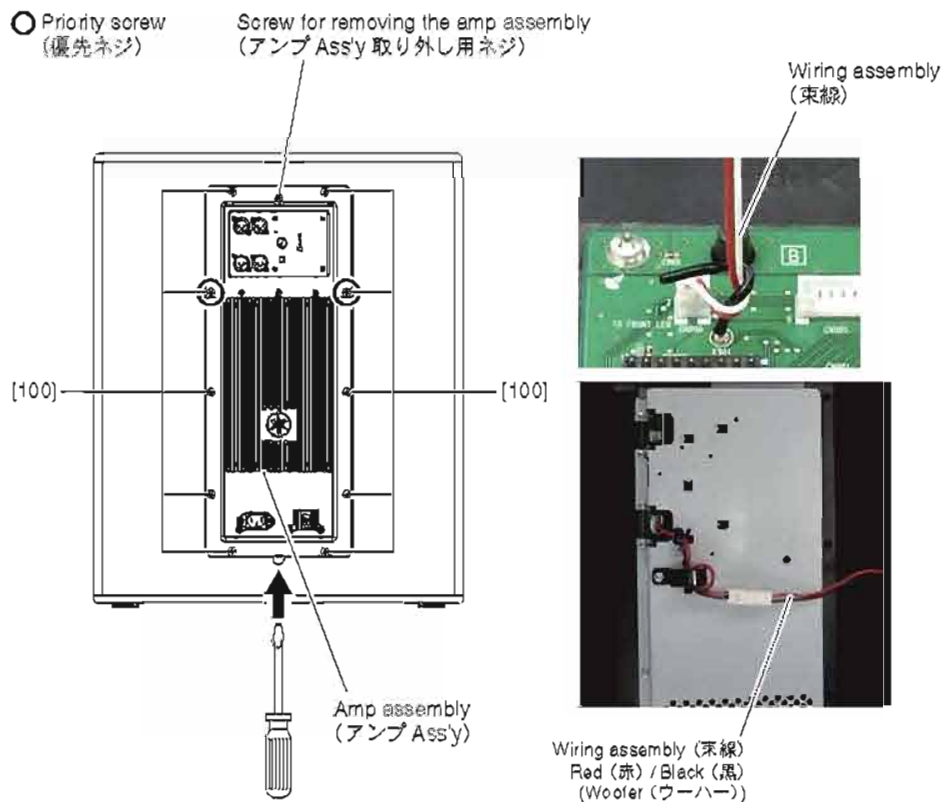


Fig. 4 (図 4)

Disassembly of Amp Assembly

The disassembly procedure of amp assembly 112 is explained as a representative.

The amp assembly 115, 215 and 118 can be disassembled in the same manner.

- * Before disassembly, remove the amp assembly 112 in advance. (See procedure 5 on page 13)

1. Shield AMPS Assembly

(Time required: About 1 minute)

- 1-1. Disconnect the connector assemblies from the connector CN300 and CN500 of the AMPS1 circuit board. (Fig. 1)
- 1-2. Remove the ten (10) screws [240]. The shield AMPS assembly can then be removed. (Fig. 1)

2. AMPS1 Circuit Board

(Time required: About 4 minutes)

- * After replacing the AMPS1 circuit board, the calibration must be executed to have proper operation. (See page 43)
- 2-1. Remove the shield AMPS assembly. (See procedure 1)
- 2-2. Disconnect the connector assembly from the connector CN101 of the AMPS1 circuit board and release it from the mini clamp close to CN101. (Fig. 1)
- 2-3. Disconnect the two jumper leads from the connector CN903 and CN904 of the BRG3 circuit board. (Fig. 1)
- 2-4. Remove the twenty three (23) screws marked [200]. The AMPS1 circuit board can then be removed. (Fig. 1)
 - * Make sure that the number of removed screws is 23, and lift one side of the AMPS1 circuit board by your hand to remove it. (Fig. 1)
 - * The mini clamp is not part of the AMPS1 circuit board. When replacing the AMPS1 circuit board, be sure to remove the mini clamp and attach it to new AMPS1 circuit board.

3. ACIN Circuit Board

(Time required: About 2 minutes)

- 3-1. Remove the shield AMPS assembly. (See procedure 1)
- 3-2. Disconnect the connector assembly from the connector CN101 of the AMPS1 circuit board and release it from the mini clamp and the cord binder located close to CN101. (Fig. 1)
- 3-3. Disconnect the three (3) connector assemblies from the connector CN803, CN804 and CN805 of the ACIN circuit board. (Fig. 1)
- 3-4. Remove the three (3) screws marked [60]. The ACIN circuit board can then be removed. (Fig. 1)

4. CNT Assembly 112

(Time required: About 2 minutes)

- 4-1. Remove the shield AMPS assembly. (See procedure 1)
- 4-2. Disconnect the two jumper leads from the connector CN903 and CN904 of the BRG3 circuit board. (Fig. 1)
- 4-3. Remove the eight (8) screws marked [220]. The CNT assembly 112 can then be removed. (Fig. 1)

アンプ Ass'y の分解

代表としてアンプ Ass'y 112 の分解手順を説明します。アンプ Ass'y 115、215、118 は同様の方法で分解することができます。

- ※ 分解の前に、あらかじめアンプ Ass'y 112 を外しておきます。(13 ページの 5 項参照)

1. シールド AMPS Ass'y

(所要時間：約 1 分)

- 1-1. AMPS1 シートのコネクタ CN300、CN500 から束線を外します。(図 1)
- 1-2. [240] のネジ 10 本を外して、シールド AMPS Ass'y を外します。(図 1)

2. AMPS1 シート

(所要時間：約 4 分)

- ※ AMPS1 シートを交換した場合、正常に動作するためにキャリブレーションを行ってください。(43 ページ参照)
- 2-1. シールド AMPS Ass'y を外します。(1 項参照)
- 2-2. AMPS1 シートのコネクタ CN101 から束線を外し、CN101 のすぐ近くにあるミニクランプを解除して束線を外します。(図 1)
- 2-3. BRG3 シートのコネクタ CN903、CN904 からジャンパーリードを外します。(図 1)
- 2-4. [200] のネジ 23 本を外して、AMPS1 シートを外します。(図 1)
 - ※ 取り外したネジの数が 23 本であることを確認後、AMPS1 シートの片側を手で持ち上げて外してください。(図 1)
 - ※ ミニクランプは AMPS1 シートの構成部品ではありません。AMPS1 シートを交換する際には必ず取り外し、新しい AMPS1 シートに取り付けてください。

3. ACIN シート

(所要時間：約 2 分)

- 3-1. シールド AMPS Ass'y を外します。(1 項参照)
- 3-2. AMPS1 シートのコネクタ CN101 から束線を外し、CN101 のすぐ近くにあるミニクランプを解除して束線を外します。(図 1)
- 3-3. ACIN シートのコネクタ CN803、CN804、CN805 から束線を外します。(図 1)
- 3-4. [60] のネジ 3 本を外して、ACIN シートを外します。(図 1)

4. CNT Ass'y 112

(所要時間：約 2 分)

- 4-1. シールド AMPS Ass'y を外します。(1 項参照)
- 4-2. BRG3 シートのコネクタ CN903、CN904 からジャンパーリードを外します。(図 1)
- 4-3. [220] のネジ 8 本を外して、CNT Ass'y 112 を外します。(図 1)

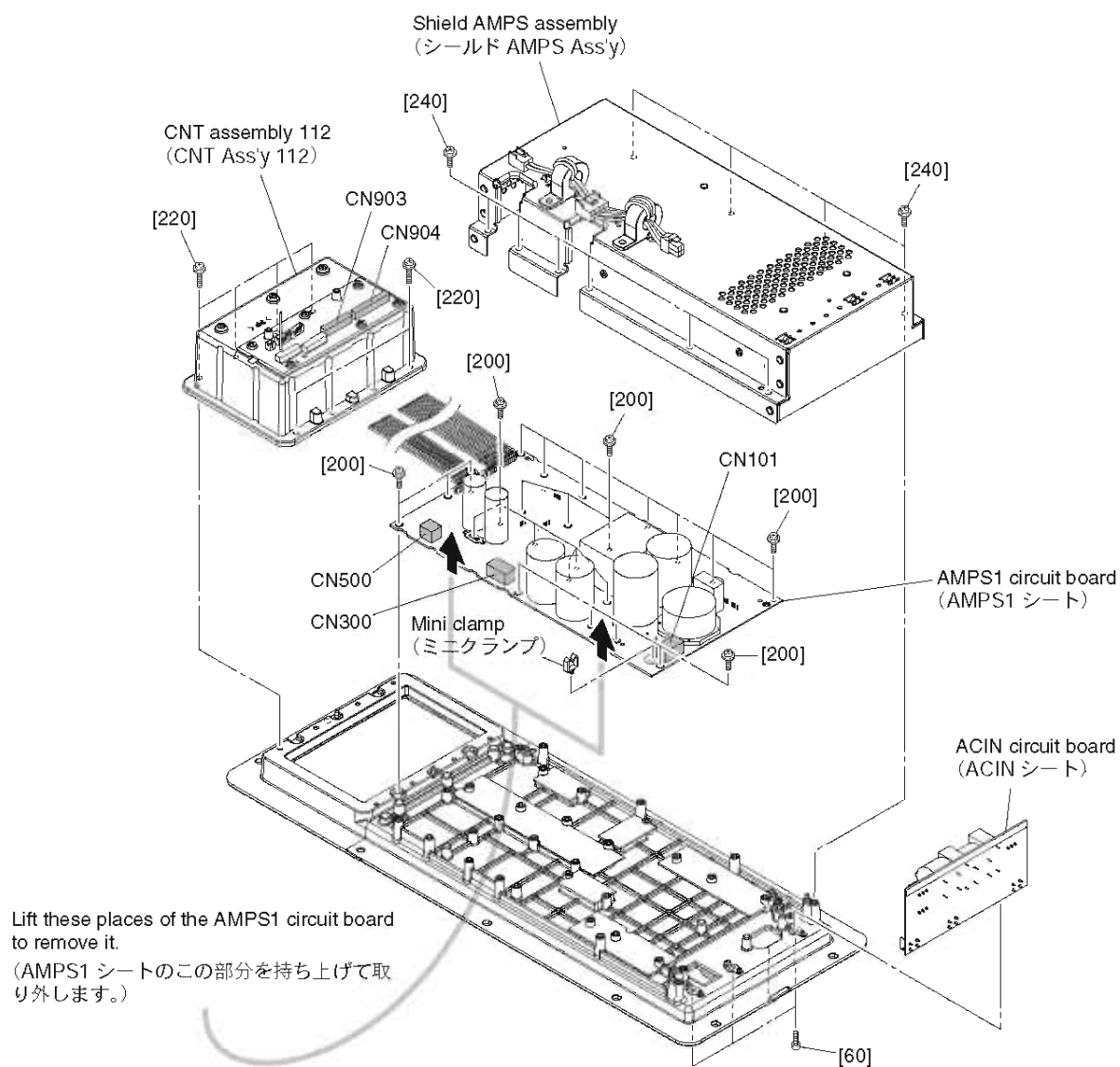


Fig. 1 (図 1)

Disassembly of CNT Assembly

The disassembly procedure of CNT assembly 112 is explained as a representative.

The CNT assembly 115, 215 and 118 can be disassembled in the same manner.

- * Before disassembly, remove the CNT assembly 112 in advance. (See procedure 4 on page 25)

1. BRG3 Circuit Board

(Time required: About 1 minute)

- 1-1. Remove the six (6) screws marked [180A]. The BRG3 circuit board can then be removed. (Fig. 1, 2)
 - * Insert the flat blade screwdriver or the like under the BRG3 circuit board, and lift the screwdriver's grip to remove the BRG3 circuit board. (Fig. 1)

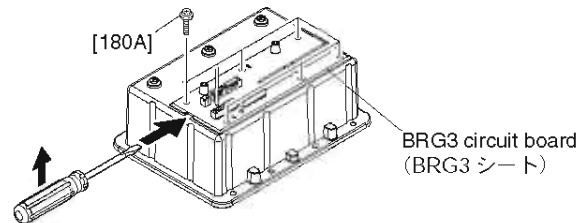


Fig. 1 (図 1)

2. DSP Circuit Board (DSR112/115/215) ASP Circuit Board (DSR118W) (Time required: About 3 minutes)

- * After replacing the DSP circuit board, the calibration must be executed to have proper operation. (See page 43)
- 2-1. Remove the BRG3 circuit board. (See procedure 1)
 - 2-2. Remove the four (4) screws marked [150]. The cover CNT assembly can be removed together with the shield CNT assembly. (Fig. 2)
 - 2-3. Remove the six (6) screws marked [130]. The DSP (DSR112/115/215) or ASP (DSR118W) circuit board can then be removed. (Fig. 2)

3. IN3 Circuit Board

(Time required: About 4 minutes)

- 3-1. Remove the BRG3 circuit board. (See procedure 1)
 - 3-2. Remove the four (4) screws marked [150]. The cover CNT assembly can be removed together with the shield CNT assembly. (Fig. 2)
 - 3-3. **DSR112/115/215**
Remove the LEVEL knob, the four (4) screws marked [80], the four (4) screws marked [90], the hexagonal nut and the washer. The panel CNT can then be removed. (Fig. 2)
- DSR118W**
Remove the LEVEL knob, the four (4) screws marked [80] and the eight (8) screws marked [90]. The panel CNT can then be removed. (Fig. 2)

CNT Ass'y の分解

代表として CNT Ass'y 112 の分解手順を説明します。
CNT Ass'y 115、215、118 は同様の方法で分解することができます。

- ※ 分解の前に、あらかじめ CNT Ass'y112 を外しておきます。(25 ページの 4 項参照)

1. BRG3 シート

(所要時間：約 1 分)

- 1-1. [180A] のネジ 6 本を外して、BRG3 シートを外します。(図 1、2)
 - ※ BRG3 シートの下にマイナスドライバーなどを差し込み、ドライバーのグリップを持ち上げて BRG3 シートを外します。(図 1)

2. DSP シート (DSR112/115/215) ASP シート (DSR118W) (所要時間：約 3 分)

- ※ DSP シートを交換した場合、正常に動作するためにキャリブレーションを行ってください。(43 ページ参照)
- 2-1. BRG3 シートを外します。(1 項参照)
 - 2-2. [150] のネジ 4 本を外して、カバー CNT Ass'y をシールド CNT Ass'y と共に外します。(図 2)
 - 2-3. [130] のネジ 6 本を外して、DSP (DSR112/115/215) または ASP (DSR118W) シートを外します。(図 2)

3. IN3 シート

(所要時間：約 4 分)

- 3-1. BRG3 シートを外します。(1 項参照)
 - 3-2. [150] のネジ 4 本を外して、カバー CNT Ass'y をシールド CNT Ass'y と共に外します。(図 2)
 - 3-3. **DSR112/115/215**
LEVEL ノブ、[80] のネジ 4 本、[90] のネジ 4 本、六角ナット、ワッシャーを外して、パネル CNT を外します。(図 2)
- DSR118W**
LEVEL ノブ、[80] のネジ 4 本、[90] のネジ 8 本を外して、パネル CNT を外します。(図 2)

3-4. Remove the four (4) screws marked [50]. The IN3 circuit board can then be removed. (Fig. 2)

* The two (2) buttons HPF, the two (2) buttons PFL, the two(2) cushions JK, the four (4) hexagonal spacers and the four (4) screws are not parts of the IN3 circuit board. When replacing the IN3 circuit board, be sure to remove these parts and attach them to the new IN3 circuit board.

3-4. [50] のネジ 4 本を外して、IN3 シートを外します。(図 2)

※ ボタン HPF2 個、ボタン PFL2 個、クッション JK2 個、六角スペーサー 4 個、[30] のネジ 4 本は、IN3 シートの構成部品ではありません。IN3 シートを交換する際にはこれらを取り外し、新しい IN3 シートに取り付けてください。

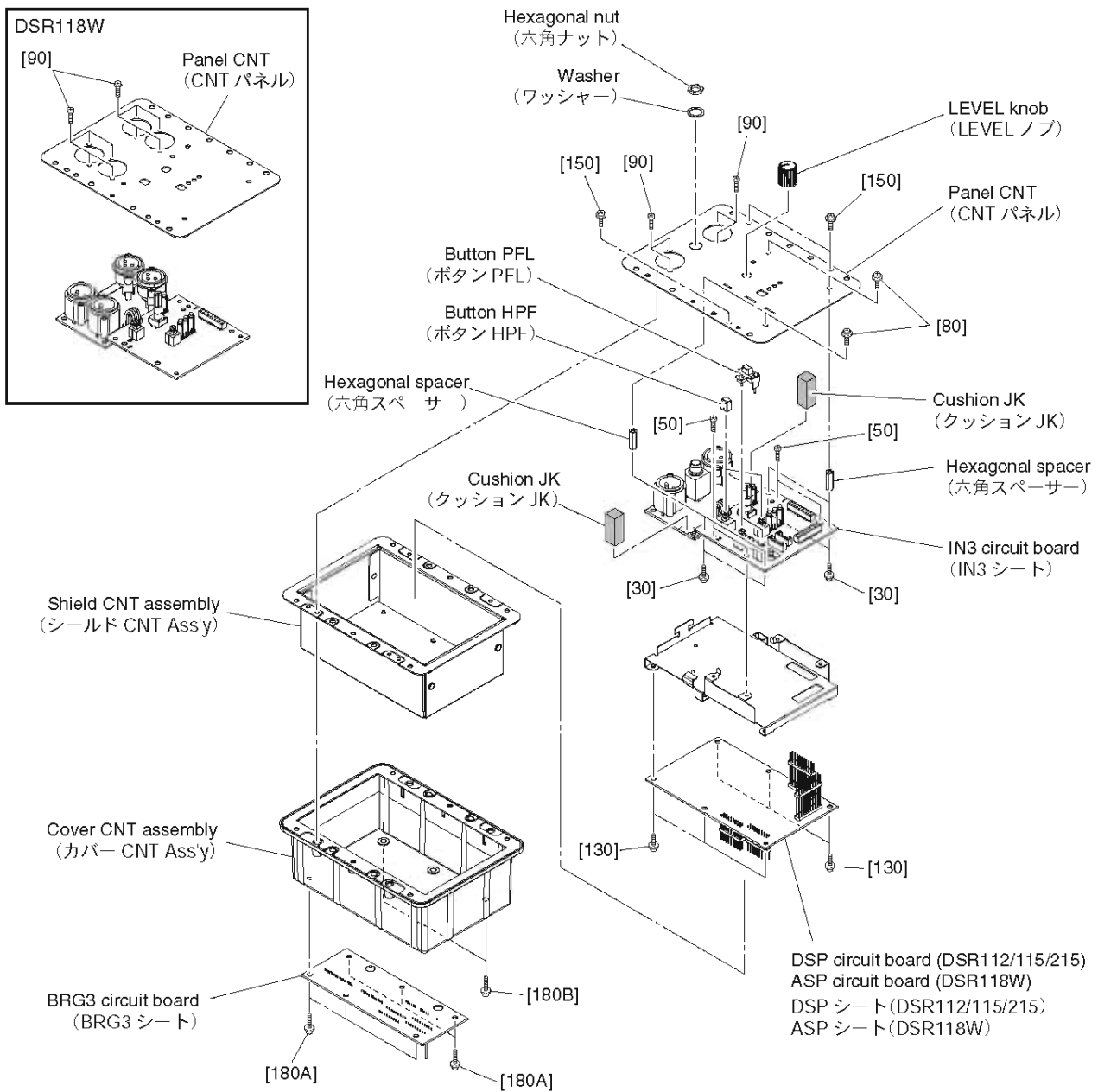


Fig. 2 (図 2)

■ CIRCUIT BOARDS (シート基板図)

CONTENTS (目次)

DSR112/DSR115/DSR215

• ACIN Circuit Board	(YC305C0)	30
• AMPS1 Circuit Board	(YA924D0)	32
• BRG1 Circuit Board	(YC022D0)	36
• BRG2 Circuit Board	(YC022D0)	36
• BRG3 Circuit Board	(YC022D0)	36
• DSP Circuit Board	(YC023D0)	38
• IN1 Circuit Board	(YC022D0)	39
• IN2 Circuit Board	(YC022D0)	39
• IN3 Circuit Board	(YC022D0)	39
• LED Circuit Board	(YC301B0).....	36

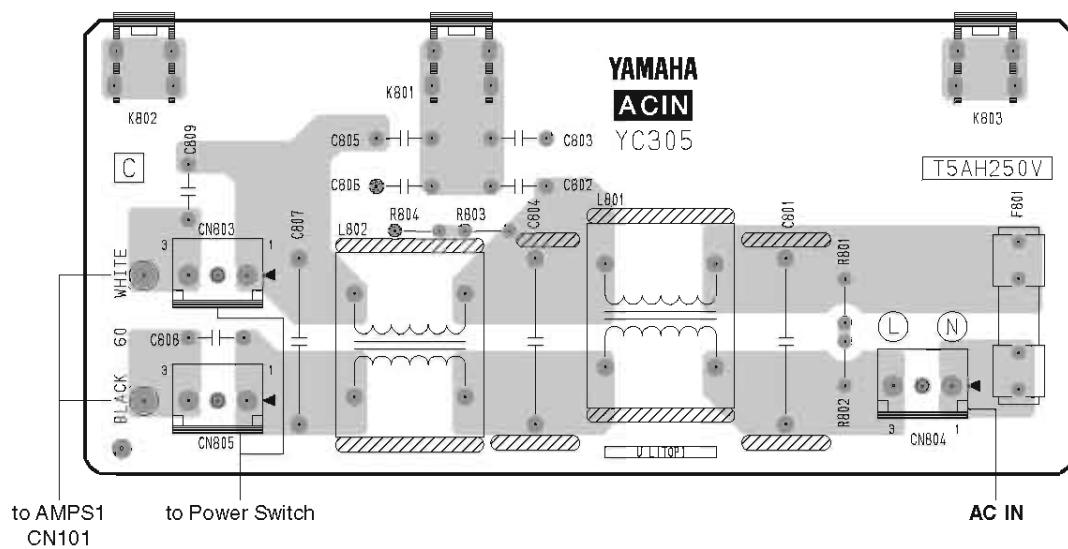
DSR118W

• ACIN Circuit Board	(YC305C0)	30
• AMPS2 Circuit Board	(YA924D0)	32
• ASP Circuit Board	(YC025C0)	31
• BRG4 Circuit Board	(YC024D0)	37
• IN4 Circuit Board	(YC024D0)	40
• LED Circuit Board	(YC301B0).....	36

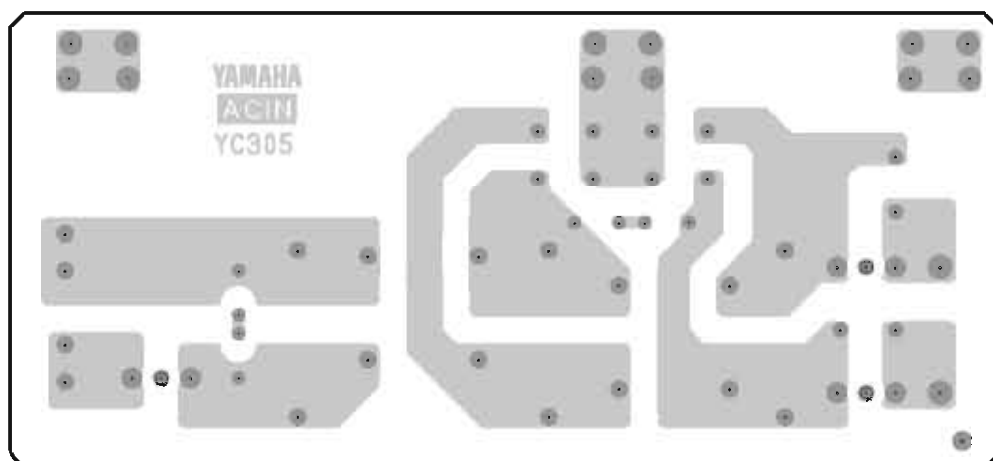
Note: See parts list for details of circuit board component parts.

注： シートの部品詳細はパーツリストをご参照ください。

• AC IN Circuit Board

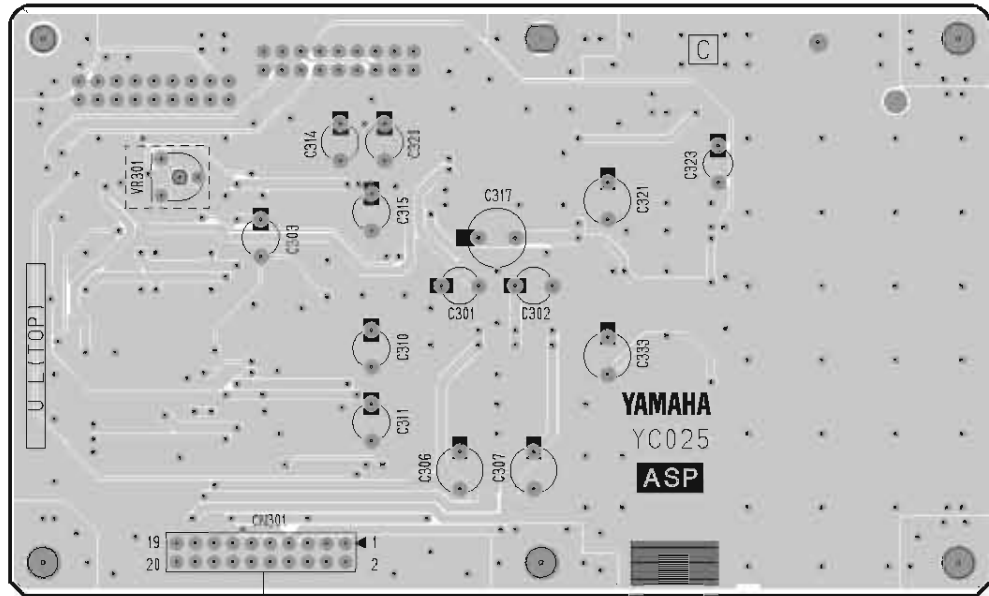


Component side (部品側)



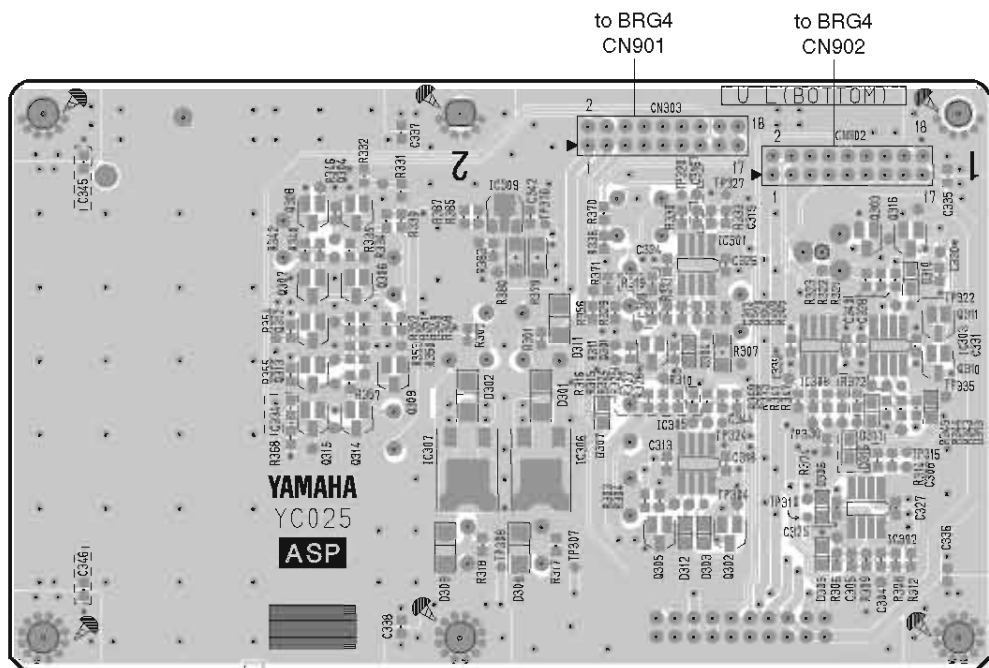
Pattern side (パターン側)

• ASP Circuit Board



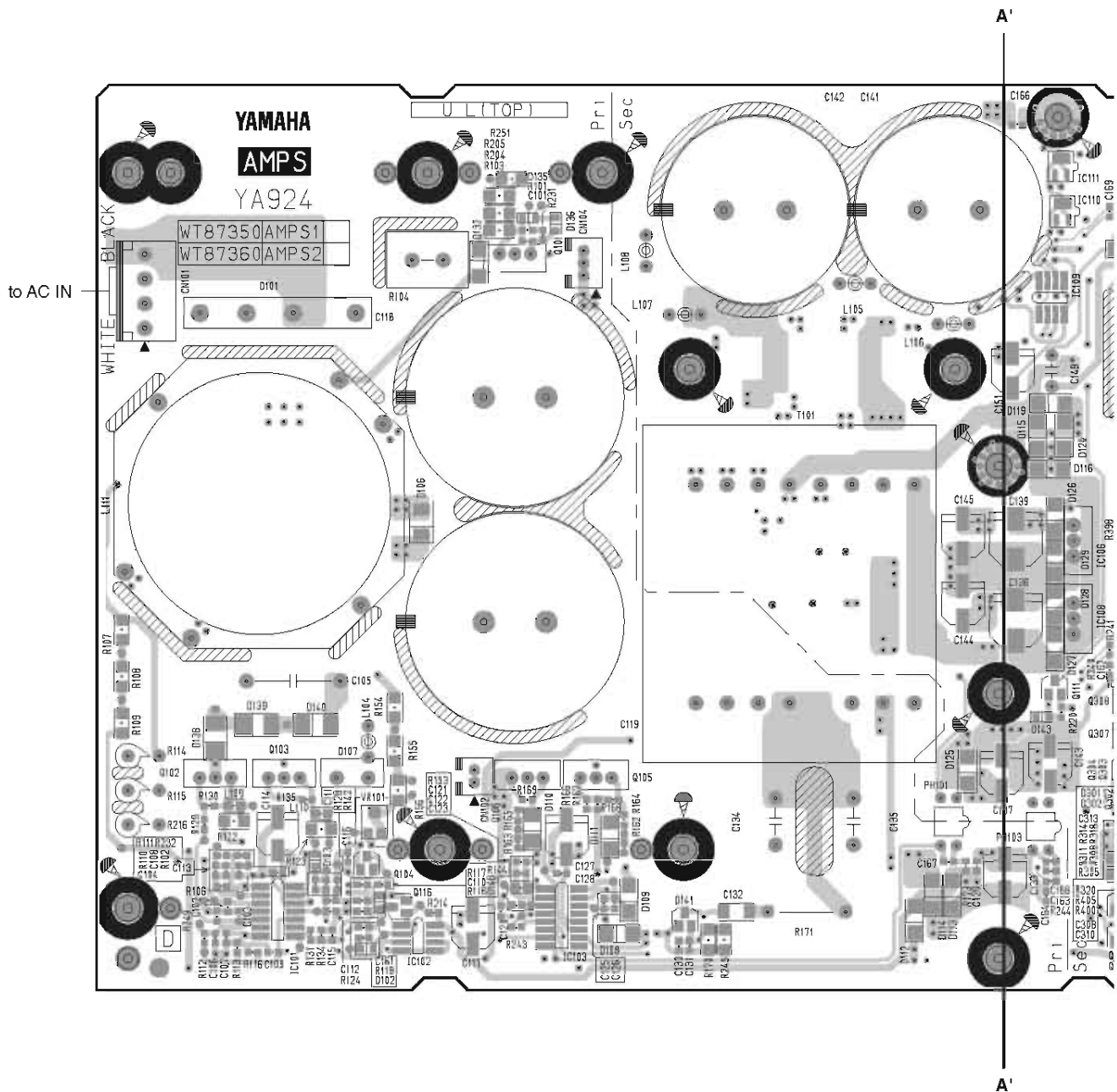
to IN4
CN202

Component side (部品側)



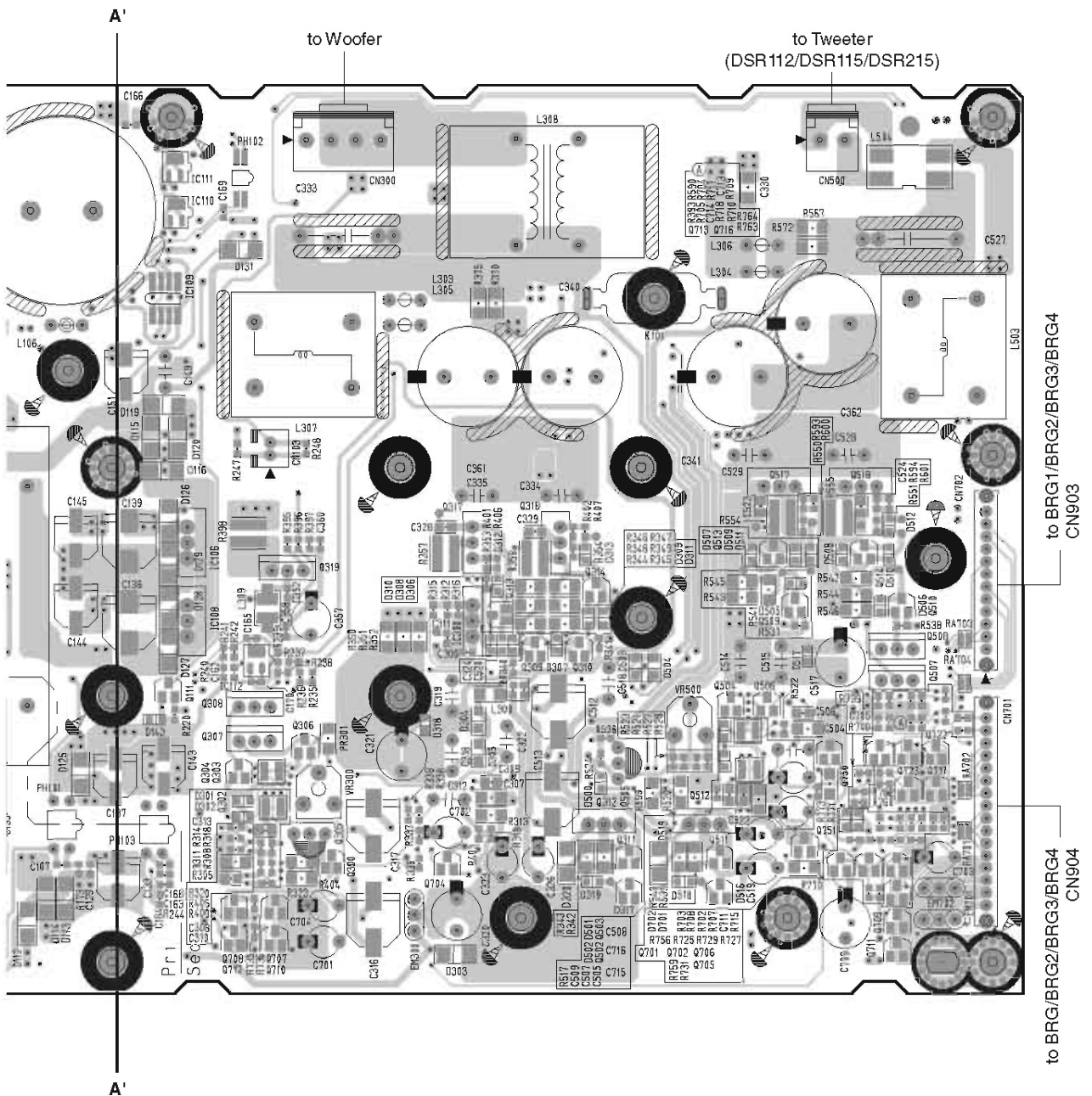
Pattern side (パターン側)

• AMPS1/AMPS2 Circuit Board



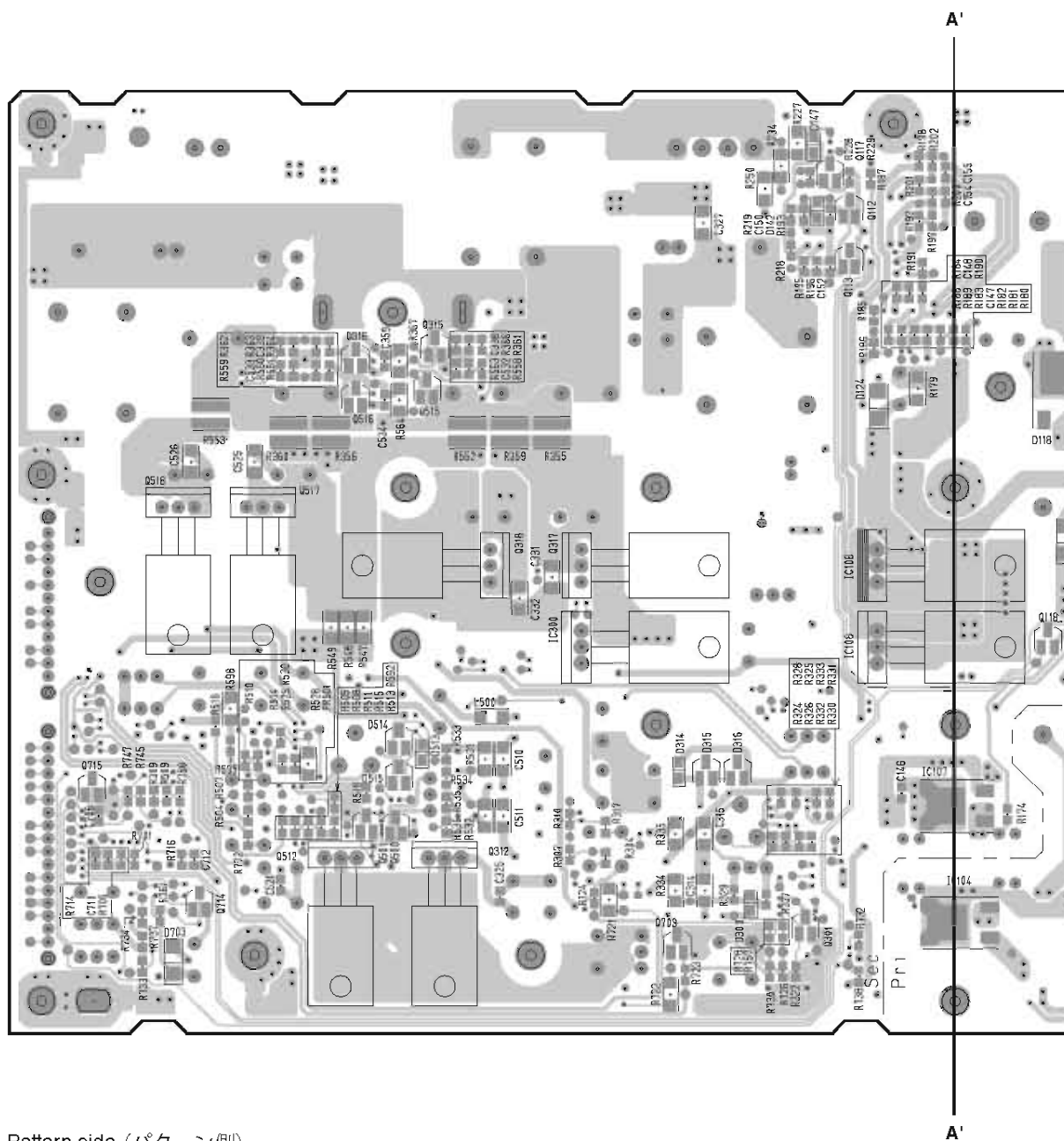
Component side (部品側)

• AMPS1/AMPS2 Circuit Board



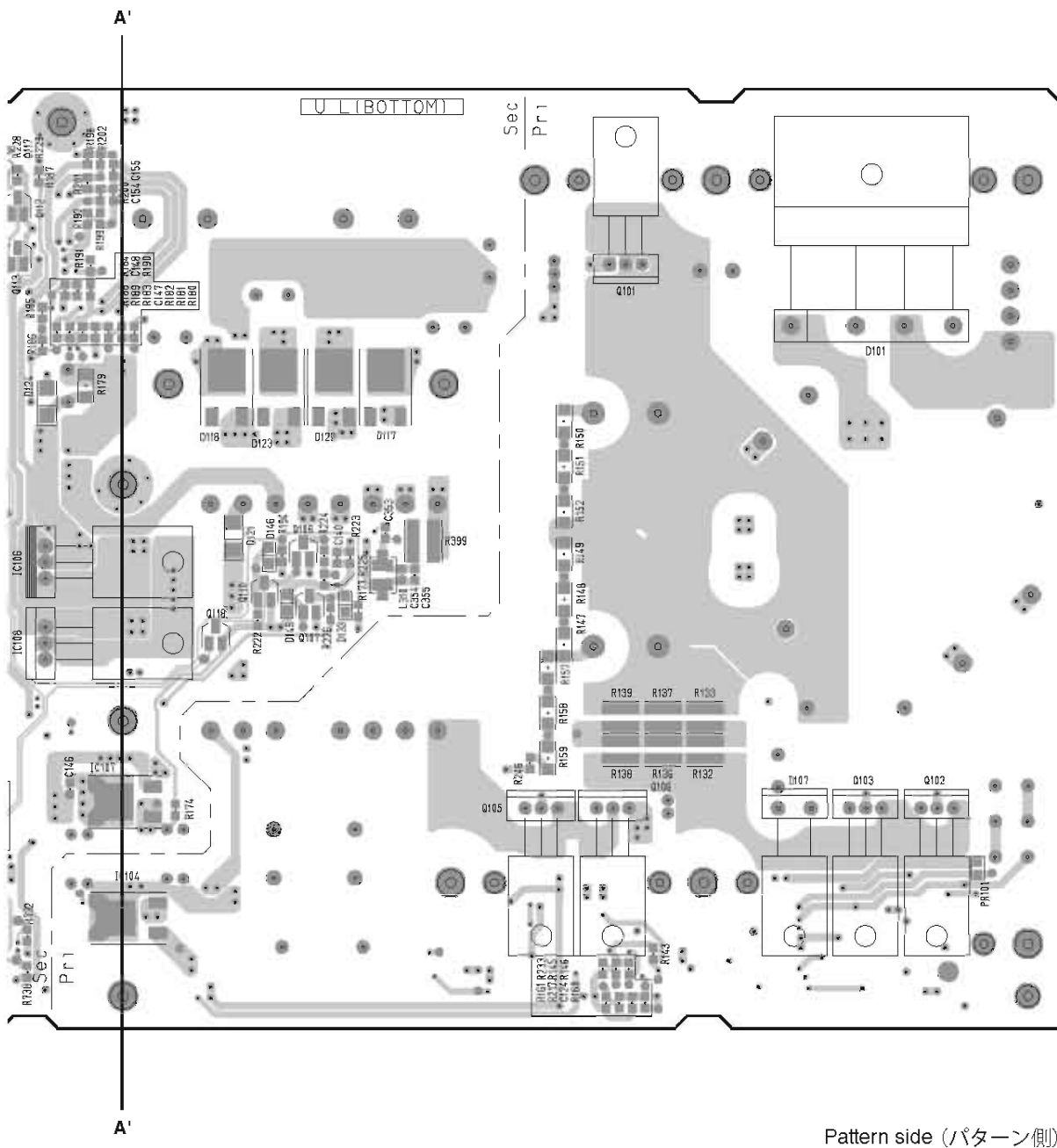
Component side (部品側)

• AMPS1/AMPS2 Circuit Board

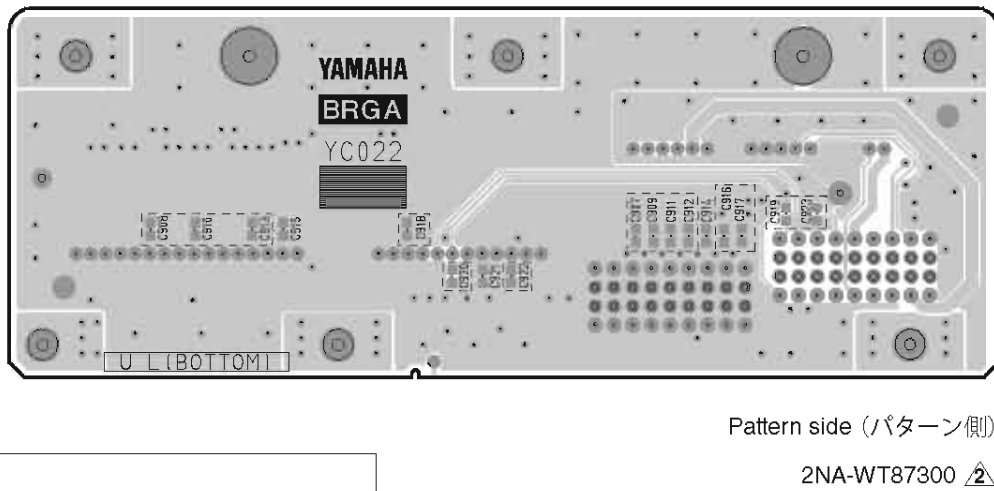
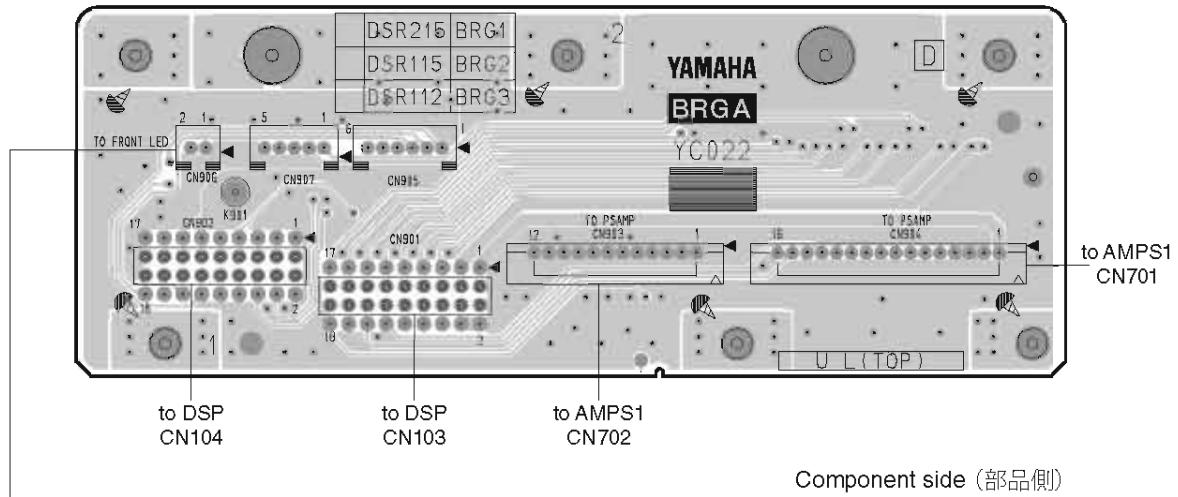


• AMPS1/AMPS2 Circuit Board

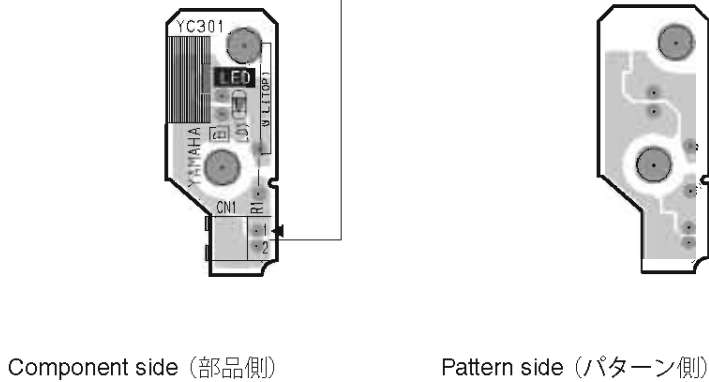
Reduction : 3/4



• BRG1/BRG2/BRG3 Circuit Board



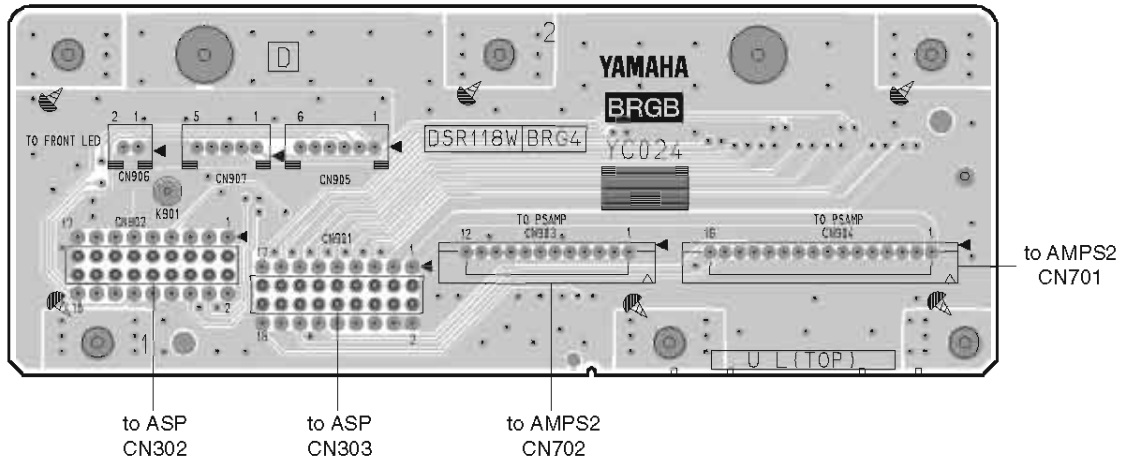
• LED Circuit Board



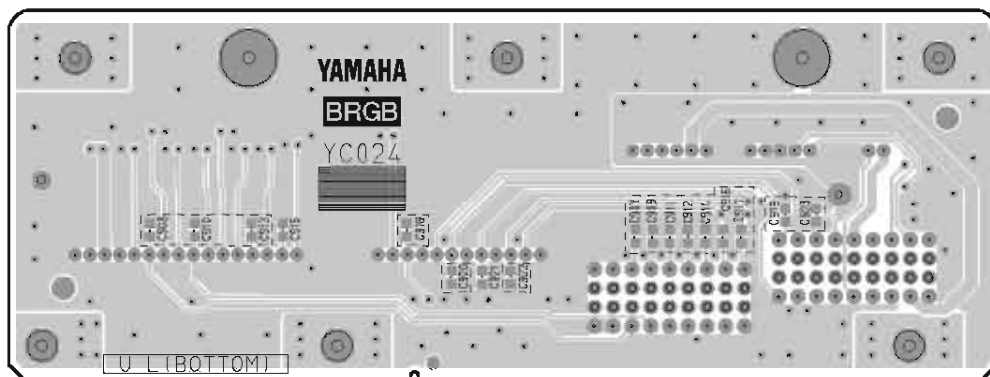
2NA-WT87150

• BRG4 Circuit Board

Reduction : 3/4

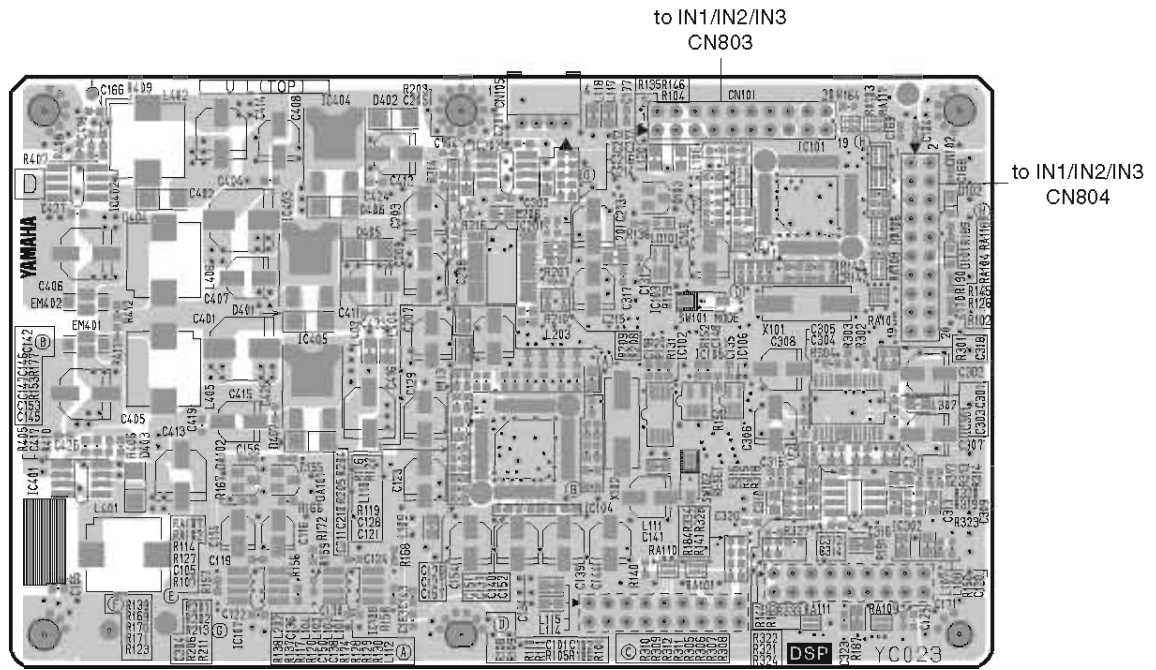


Component side (部品側)

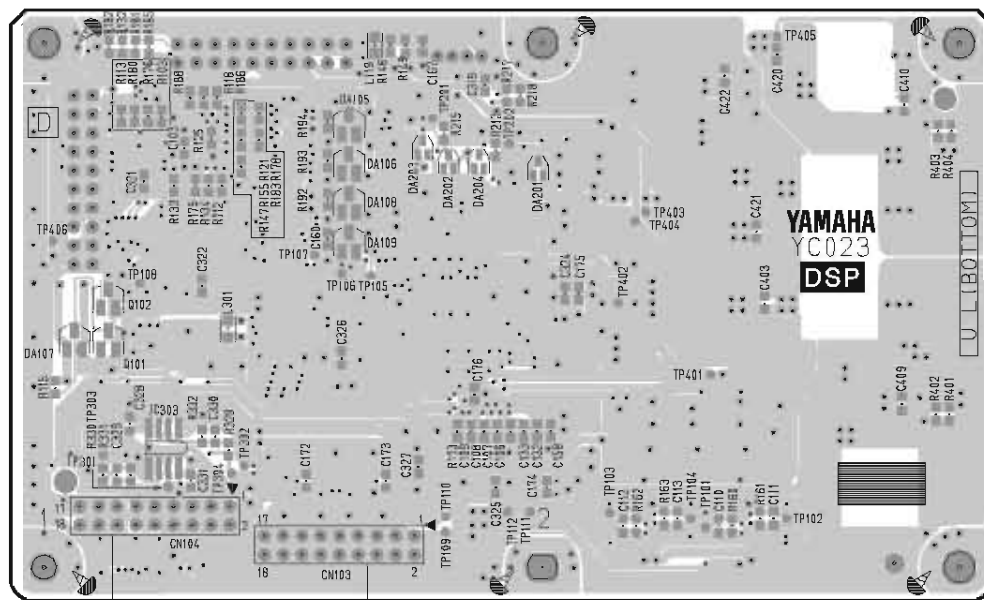


Pattern side (パターン側)

• DSP Circuit Board



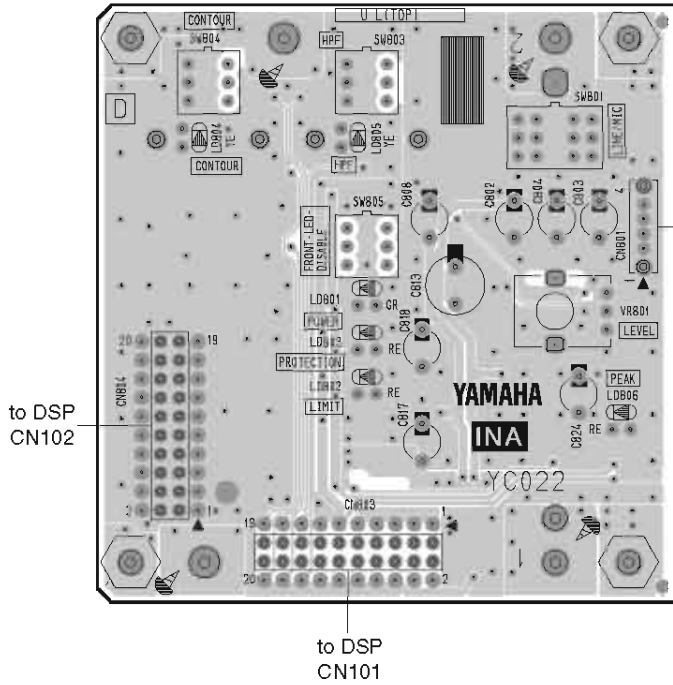
Component side (部品側)



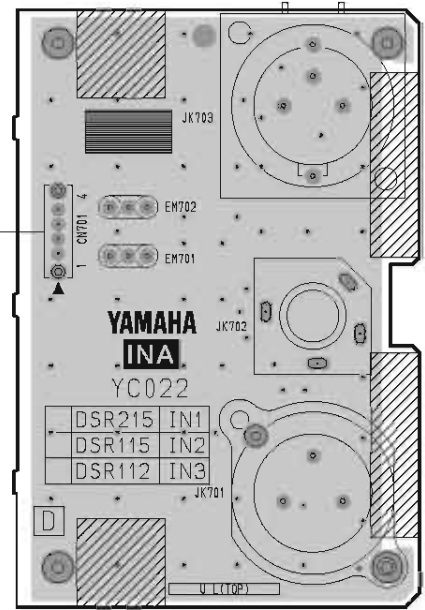
to BRG1/BRG2/BRG3 CN902
to BRG1/BRG2/BRG3 CN901

Pattern side (パターン側)

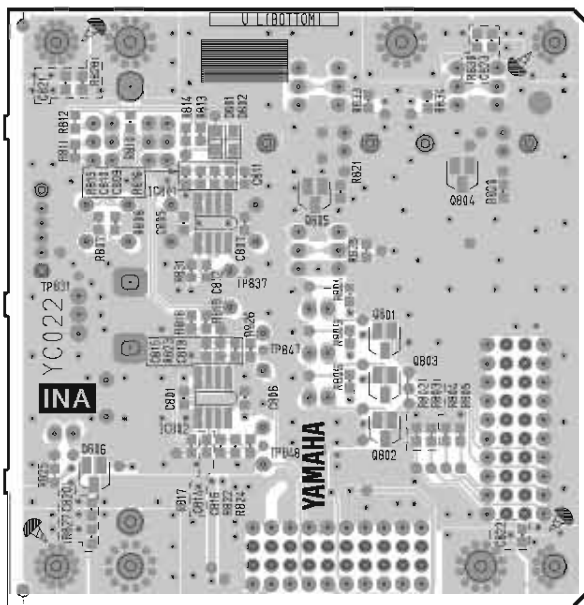
• IN1/IN2/IN3 Circuit Board



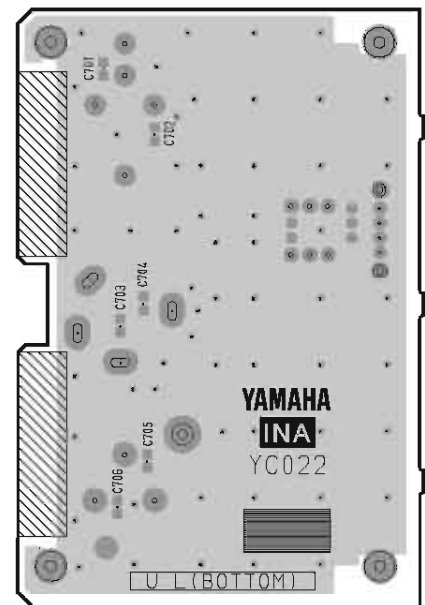
Component side (部品側)



Component side (部品側)



Pattern side (パターン側)



Pattern side (パターン側)

■ TEST PROGRAM (テストプログラム)

This test program is applied to the **DSR112**, **DSR115** and **DSR215**.

このテストプログラムは DSR112、DSR115、DSR215 に適用されます。

1. Preparation

1-1. Required items

- Personal Computer; DOS/V machine (Pentium 500 MHz or faster, RAM 256MB or above, Windows XP with COM port) x 1
- Serial Communication Jig (WP327800) x 1
- DSR-CS Wiring Assembly (WW332900) x 1
- RS232C Cross Cable x 1

1. 準備

1-1. 必要なもの

- パソコン DOS/V 機 (Pentium 500 MHz 以上、RAM 256MB 以上、Windows XP、COM ポート有り) × 1
- シリアルコミュニケーション治具 (WP327800) × 1
- DSR-CS 束線 (WW332900) × 1
- RS-232C クロスケーブル × 1

1-2. Application for Service inspection

Download the latest version of application files for service inspection from the YSISS homepage and copy them to C drive of personal computer as shown below.

(URL >> <http://plaza.yamaha.co.jp/ysiss/exindex.nsf>)

- C:\¥DSR¥tools¥DIAG¥DiagDSR-SERVICE.exe
- C:\¥DSR¥tools¥DIAG¥DiagDSR-SERVICE.ini

These are used for displaying the instruction of test execution and the result of execution.

1-2. サービス検査用アプリケーション

YSISS ホームページからサービス検査用アプリケーションファイル最新版をダウンロードし、パソコンの C ドライブに下記のようにコピーします。

(URL >> <http://plaza.yamaha.co.jp/ysiss/index.nsf>)

- C:\¥DSR¥tools¥DIAG¥DiagDSR-SERVICE.exe
- C:\¥DSR¥tools¥DIAG¥DiagDSR-SERVICE.ini

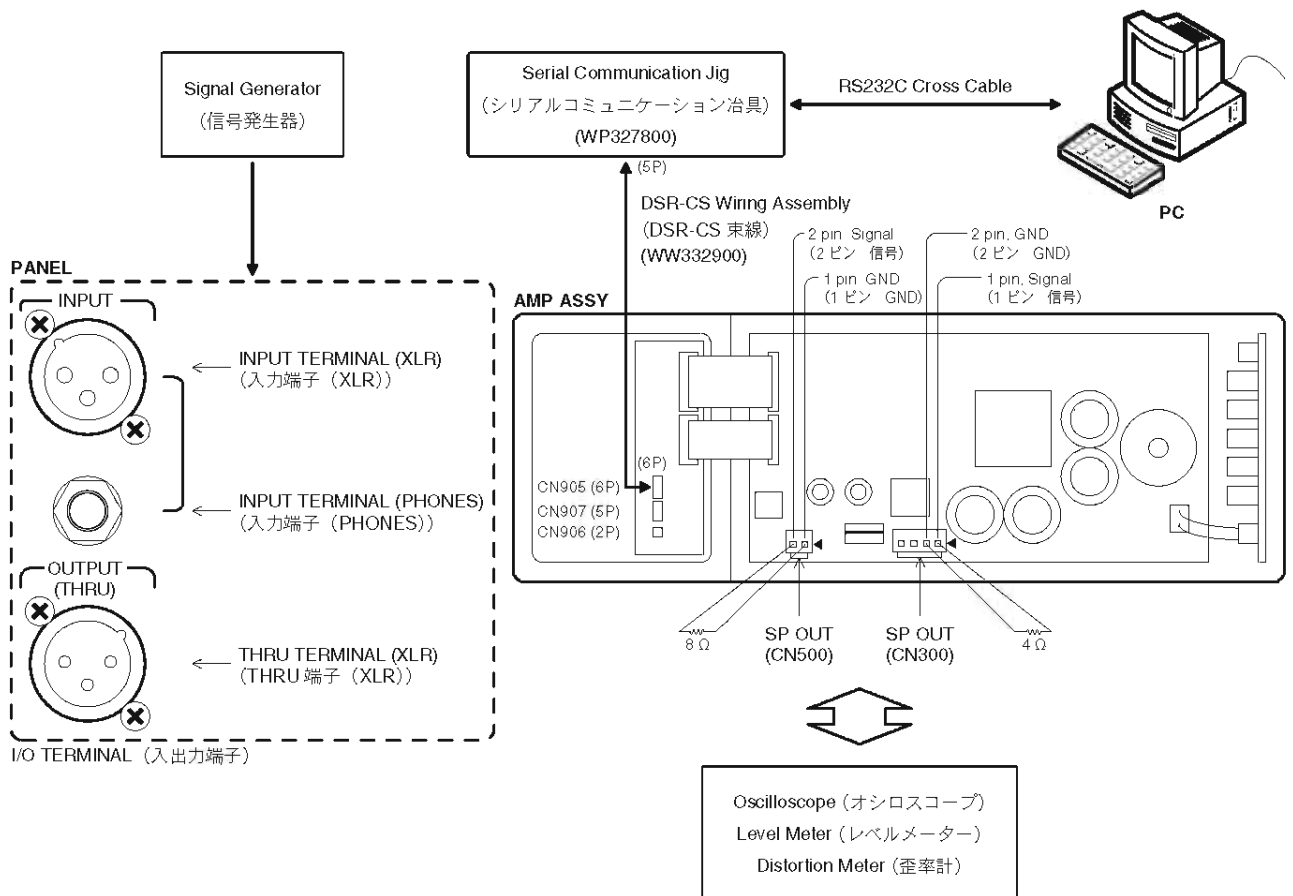
これらはテスト実行指示と実行結果を表示するために使用します。

1-3. Connection

Perform connection as shown in the figure below.

1-3. 接続

下図のように接続します。



2. Service inspection

2-1. How to activate

- (1) With the FRONT LED DISABLE switch turned off (switch is not pressed inward), turn on the power to the AMP UNIT.

After about 4 seconds, the diagnostic mode is activated and all LEDs on the rear panel blink at intervals of 500ms.

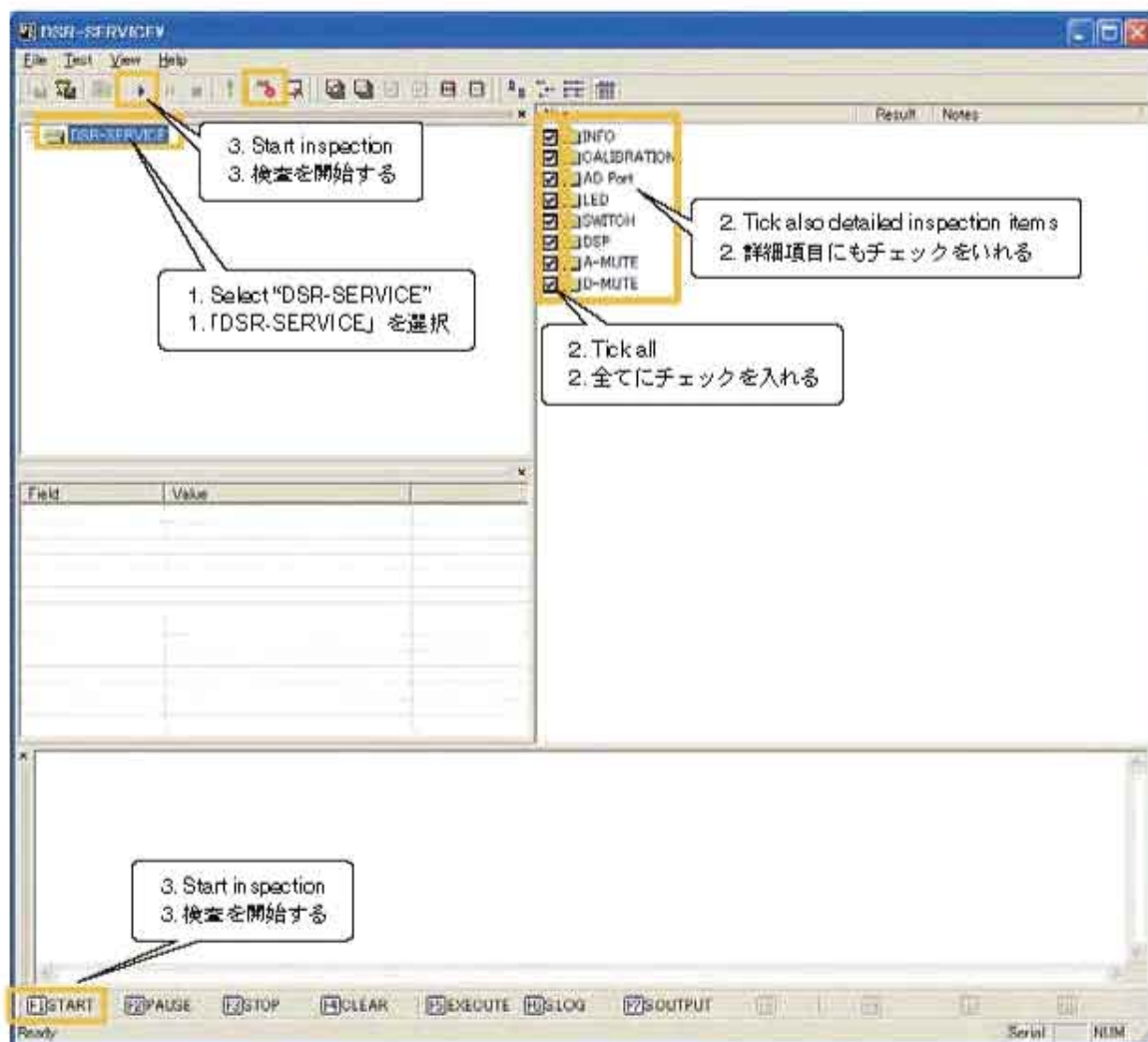
- (2) Run application for Service inspection (DiagDSR-SERVICE.exe).

The following inspection screen is displayed.

Note:

If all LEDs on the rear panel do not blink, it's considered that it started with mode other than diagnostic mode, setup mistake or peripheral circuitry trouble.

Inspection screen (検査画面)



2. サービス検査

2-1. 起動方法

- (1) FRONT LED DISABLE スイッチをオフにした(スイッチを押さない) 状態で AMP UNIT の電源を入れます。

約4秒後、ダイアグモードが起動し、リアパネルにある全LEDが500ms間隔で点滅します。

- (2) サービス検査用アプリケーション (DiagDSR-SERVICE.exe) を起動します。

注:

リアパネルにある全LEDが全点滅しない場合、ダイアグモード以外のモードで起動したか、設置ミスまたは周辺回路の故障が考えられます。

3. Test Items

For details of inspection refer to "INSPECTIONS" on page 51.

3-1. INFO inspection

* This inspection must be performed first. If this inspection is performed after the CALIBRATION adjustment inspection, the correct calibration values are not displayed.

In such a case to have correct calibration displayed, turn off the power once and turn on the power again.

Check VERSION number, MODEL ID and CALIBRATION INFO by sight.

The result is displayed in property window as shown below.

- * It's possible that the column of value is in blank.
- * Example is described in the column of Value.
- * If firmware is broken, "firmware is broken" is displayed in VERSION.

Field	Value (Example)	Supplementary note
VERSION	V1.00	Character string of Version.
MODEL ID	DSR-112	Corresponding Model ID.
CALIBRATION	ALREADY	Displays implementation status of CALIBRATION. ALREADY: Implemented DEFAULT: Not implemented yet.
DAC-HF	1.0	Corrected value of DAC-HF side Value from -1.0 to 1.0 is displayed.
DAC-LF	1.0	Corrected value of DAC-LF side Value from -1.0 to 1.0 is displayed.

Troubleshooting

Check signal line between SW (IN circuit board: SW802) and CPU (DSP circuit board: IC101), and SW itself.

3-2. CALIBRATION adjustment inspection

Calibrate gain of DAC-HF side and DAC-LF side so that output level is within the criteria.

Condition

With loads removed from output terminals (CN300, CN500) and no signal input, operate PC so that output level is within the criteria shown below.

Criteria

HF SP OUT(CN500):
 $30.4 \pm 0.1 \text{ dBu} (25.4 \pm 25.9 \text{ Vrms})$
 LF SP OUT(CN300):
 $34.4 \pm 0.1 \text{ dBu} (40.2 \pm 41.1 \text{ Vrms})$

(1) Calibration of DAC-HF side can be started.



3. 検査項目

検査の詳細は「検査」(51 ページ)を参照してください。

3-1. INFO 検査

- ※ この検査は最初に実施してください。
CALIBRATION 調整検査後にこの検査を実施した場合、正しい CALIBRATION 値は表示されません。
その場合、正しい CALIBRATION 値を表示するには、いったん電源を切り、再び電源を入れてください。

VERSION 番号、MODEL ID、CALIB INFO を目視で確認します。

検査結果はプロパティウィンドウへ下記のように表示されます。

- ※ Value の欄が空白の場合もあります。
- ※ Value の欄には、例を記入してあります。
- ※ ファームウェアが破損している場合、「VERSION」に「firmware is broken」と表示されます。

Field	Value (例)	補足
VERSION	V1.00	バージョン文字列
MODEL ID	DSR-112	該当するモデルID
CALIBRATION	ALREADY	CALIBRATION 実施状態を表示 ALREADY: 実施済み DEFAULT: 未実施
DAC-HF	1.0	DAC-HF 側の校正値 -1.0 ~ 1.0 までの値を表示
DAC-LF	1.0	DAC-LF 側の校正値 -1.0 ~ 1.0 までの値を表示

トラブルシューティング

SW (IN シート: SW802) と CPU (DSP シート: IC101)間の信号線、及び SW 自体を確認してください。

3-2. CALIBRATION 調整検査

出力レベルが基準値におさまるように DSP DAC の HF 側と LF 側のゲインを校正します。

条件

出力端子 (CN300, CN500) の負荷を外しかつ入力無信号の状態で、出力レベルが下記の基準値内におさまるように PC を操作します。

基準値

HF SP OUT (CN500):
 $30.4 \pm 0.1 \text{ dBu} (25.4 \sim 25.9 \text{ Vrms})$
 LF SP OUT (CN300):
 $34.4 \pm 0.1 \text{ dBu} (40.2 \sim 41.1 \text{ Vrms})$

(1) DAC-HF 側の校正がスタートできます。

- (2) Execute calibration using “+0.1” and “-0.1” buttons so that output level of HF SP OUT (CN500) is within the criterion shown on page 43.

When “ENTER” is clicked, the corrected value is written in flash ROM and calibration is terminated.

When “CANCEL” is clicked, calibration is terminated without writing any value.

- (2) HF SP OUT (CN500) の出力レベルが43ページの基準値におさまるように、「+0.1」「-0.1」ボタンで校正します。

「ENTER」をクリックすると、校正値がフラッシュROMに書き込まれて終了します。

「CANCEL」をクリックすると校正値は書き込まれずに終了します。



- (3) Calibration of DAC-LF side can be started.

- (3) DAC-LF 側の校正がスタートできます。



- (4) Execute calibration using “+0.1” and “-0.1” buttons so that output level of LF SP OUT (CN300) is within the criterion shown on page 43.

When “ENTER” is clicked, the corrected value is written in flash ROM and calibration is terminated.

When “CANCEL” is clicked, calibration is terminated without writing any value.

- (4) LF SP OUT (CN300) の出力レベルが43ページの基準値におさまるように、「+0.1」「-0.1」ボタンで校正します。

「ENTER」をクリックすると、校正値がフラッシュROMに書き込まれて終了します。

「CANCEL」をクリックすると校正値は書き込まれずに終了します。



The result is displayed in output window as shown below.

When OK

DAC-HF CALIBRATION	OK: CALIBRATION DAC-HF
DAC-LF CALIBRATION	OK: CALIBRATION DAC-LF
DAC-HF DATA WRITE	OK: CALIBRATION DATA WRITE DAC-HF
DAC-LF DATA WRITE	OK: CALIBRATION DATA WRITE DAC-LF

When NG

DAC-HF CALIBRATION	NG: CALIBRATION DAC-HF
DAC-LF CALIBRATION	NG: CALIBRATION DAC-LF
DAC-HF DATA WRITE	NG: CALIBRATION DATA WRITE DAC-HF
DAC-LF DATA WRITE	NG: CALIBRATION DATA WRITE DAC-LF

Troubleshooting

If NG, check signal lines between DSP (DSP circuit board: IC104) and DAC (DSP circuit board: IC301) and connectors (DSP circuit board: CN103 and CN104), and AMPS circuit board.

3-3. AD input port inspection

The voltage (temperature) from T-SENSE port is inspected automatically.

The result is displayed in output window as shown below.

When OK

0.10 V ~ 0.50 V	OK: Temperature (x.xx V)
-----------------	--------------------------

When NG

0.09 V or below	NG: Temperature (x.xx V)
0.51 V or above	NG: Temperature (x.xx V)

3-4. LED inspection

Each LED lights one by one and all LEDs light finally.

Confirm that each LED lights properly.

When OK

PEAK LED	OK: PEAK LED
LIMIT LED	OK: LIMIT LED
PROTECTION LED	OK: PROTECTION LED
HPF LED	OK: HPF LED
D-CONTOUR LED	OK: D-CONTOUR LED
FRONT LED	OK: FRONT LED
LED ALL	OK: LED ALL

When NG

PEAK LED	NG: PEAK LED
LIMIT LED	NG: LIMIT LED
PROTECTION LED	NG: PROTECTION LED
HPF LED	NG: HPF LED
D-CONTOUR LED	NG: D-CONTOUR LED
FRONT LED	NG: FRONT LED
LED ALL	NG: LED ALL

検査結果はアウトプットウィンドウへ下記のように表示されます。

OKの場合

DAC-HF CALIBRATION	OK: CALIBRATION DAC-HF
DAC-LF CALIBRATION	OK: CALIBRATION DAC-LF
DAC-HF DATA WRITE	OK: CALIBRATION DATA WRITE DAC-HF
DAC-LF DATA WRITE	OK: CALIBRATION DATA WRITE DAC-LF

NGの場合

DAC-HF CALIBRATION	NG: CALIBRATION DAC-HF
DAC-LF CALIBRATION	NG: CALIBRATION DAC-LF
DAC-HF DATA WRITE	NG: CALIBRATION DATA WRITE DAC-HF
DAC-LF DATA WRITE	NG: CALIBRATION DATA WRITE DAC-LF

トラブルシューティング

NGの場合、DSP (DSP シート: IC104) と DAC (DSP シート: IC301) 及びコネクタ (DSP シート: CN103、CN104) 間の信号線、及び AMPS シートを確認してください。

3-3. AD 入力ポート検査

T-SENSE ポートからの電圧 (温度) を自動的に検査します。

検査結果はアウトプットウィンドウへ下記のように表示されます。

OKの場合

0.10 V ~ 0.50 V	OK: Temperature (x.xx V)
-----------------	--------------------------

NGの場合

0.09 V 以下	NG: Temperature (x.xx V)
0.51 V 以上	NG: Temperature (x.xx V)

3-4. LED 検査

自動的に各 LED が点灯し、最後に全 LED が点灯します。

各 LED が正常に点灯することを確認します。

OKの場合

PEAK LED	OK: PEAK LED
LIMIT LED	OK: LIMIT LED
PROTECTION LED	OK: PROTECTION LED
HPF LED	OK: HPF LED
D-CONTOUR LED	OK: D-CONTOUR LED
FRONT LED	OK: FRONT LED
LED ALL	OK: LED ALL

NGの場合

PEAK LED	NG: PEAK LED
LIMIT LED	NG: LIMIT LED
PROTECTION LED	NG: PROTECTION LED
HPF LED	NG: HPF LED
D-CONTOUR LED	NG: D-CONTOUR LED
FRONT LED	NG: FRONT LED
LED ALL	NG: LED ALL

3-5. SWITCH inspection

Inspect on/off status of FRONT LED DISABLE, HPF, and D-CONTOUR switches.

Set each switch to ON or OFF position according to the display and click "OK".

3-5. SWITCH 検査

FRONT LED DISABLE, HPF, D-CONTOUR 各スイッチの ON/OFF 状態を検査します。

画面表示に従って各 SW を ON または OFF に設定し、「OK」をクリックします。



If result is NG, the following display for retry is displayed. When "Retry" is clicked, the test is performed again.

NG の場合、下記の再検査用画面が表示されます。「Retry」をクリックすると再テストが実施されます。「Cancel」をクリックすると再テストは実施されません。



The result is displayed in output window as shown below.

検査結果はアウトプットウィンドウへ下記のように表示されます。

When OK

FRONT LED DISABLE ON	OK: FRONT LED DISABLE ON
FRONT LED DISABLE OFF	OK: FRONT LED DISABLE OFF
HPF ON	OK: HPF ON
HPF OFF	OK: HPF OFF
D-CONTOUR ON	OK: D-CONTOUR ON
D-CONTOUR OFF	OK: D-CONTOUR OFF

OK の場合

FRONT LED DISABLE ON	OK: FRONT LED DISABLE ON
FRONT LED DISABLE OFF	OK: FRONT LED DISABLE OFF
HPF ON	OK: HPF OFF
HPF OFF	OK: HPF LED
D-CONTOUR ON	OK: D-CONTOUR ON
D-CONTOUR OFF	OK: D-CONTOUR OFF

When NG

FRONT LED DISABLE ON	NG: FRONT LED DISABLE ON
FRONT LED DISABLE OFF	NG: FRONT LED DISABLE OFF
HPF ON	NG: HPF ON
HPF OFF	NG: HPF OFF
D-CONTOUR ON	NG: D-CONTOUR ON
D-CONTOUR OFF	NG: D-CONTOUR OFF

NG の場合

FRONT LED DISABLE ON	NG: FRONT LED DISABLE ON
FRONT LED DISABLE OFF	NG: FRONT LED DISABLE OFF
HPF ON	NG: HPF ON
HPF OFF	NG: HPF OFF
D-CONTOUR ON	NG: D-CONTOUR ON
D-CONTOUR OFF	NG: D-CONTOUR OFF

3-6. DSP inspection

Communication condition with DSP via I2C-BUS and operational state of inside DSP are inspected automatically. The result is displayed in output window as shown below.

When OK

DSP COM	OK: DSP COMMUNICATION
DSP CTRL	OK: DSP CONTROL

When NG

DSP COM	NG: DSP COMMUNICATION
DSP CTRL	NG: DSP CONTROL

Troubleshooting

If "NG: DSP COMMUNICATION" is displayed, check wire connection and the following parts.

DSP (DSP circuit board: IC104) and CPU (DSP circuit board: IC101)

If "NG: DSP CONTROL" is indicated, check wire connection and the following parts.

DSP (DSP circuit board: IC104) and DAC (DSP circuit board: IC301)

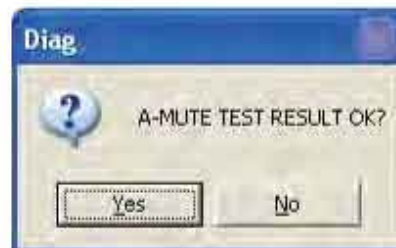
And also, check signal line between connectors (DSP circuit board: CN103 and CN104) and AMPS circuit board.

3-7. A-MUTE inspection

Check output level when analog mute.

Execute A-MUTE inspection and confirm that the output level is muted.

If result is OK, click "Yes". If result is NG click "No".



The result is displayed in output window as shown below.

When OK

Measurement value OK	OK: A-MUTE LEVEL
----------------------	------------------

When NG

Measurement value NG	NG: A-MUTE LEVEL
----------------------	------------------

Troubleshooting

If NG, check AMPS circuit board.

3-6. DSP 検査

I2C-BUS 経由の DSP との通信状態、DSP 内部の動作状態の良否を自動的に検査します。

検査結果はアウトプットウィンドウへ下記のように表示されます。

OK の場合

DSP COM	OK: DSP COMMUNICATION
DSP CTRL	OK: DSP CONTROL

NG の場合

DSP COM	NG: DSP COMMUNICATION
DSP CTRL	NG: DSP CONTROL

トラブルシューティング

"NG: DSP COMMUNICATION" と表示されている場合、結線及び下記の部品を確認してください。

DSP (DSP シート: IC104) と CPU (DSP シート: IC101)

"NG: DSP CONTROL" と表示されている場合、結線及び下記の部品を確認してください。

DSP (DSP シート: IC104) と DAC (DSP シート: IC301)

更に、コネクタ (DSP シート: CN103、CN104) 間の信号線、及び AMPS シートを確認してください。

3-7. A-MUTE 検査

アナログミュート時の出力レベルを確認します。

A-MUTE 検査を実施し、出力レベルがミュートされることを確認します。

結果が OK の場合、「Yes」をクリックします。結果が NG の場合、「No」をクリックします。

検査結果はアウトプットウィンドウへ下記のように表示されます。

OK の場合

計測値 OK	OK: A-MUTE LEVEL
--------	------------------

NG の場合

計測値 NG	NG: A-MUTE LEVEL
--------	------------------

トラブルシューティング

NG の場合、AMPS シートを確認してください。

3-8. D-MUTE inspection

Inspect the output level when digital mute.

Input the 1 kHz, 0 dBu sine wave between 7 pin (SIG-) and 8 pin (SIG+) of CN101 on the DSP circuit board.

Execute D-MUTE inspection and confirm that the output level is within the specified below.

CN103 17 pin (SIG-LF+) - 18 pin (SIG-LF-) -80 dBu or less

CN104 1 pin (SIG-HF+) - 2 pin (SIG-HF-) -80 dB or less

If result is OK, click "Yes". If result is NG click "No".

3-8. D-MUTE 検査

デジタルミュート時の出力レベルを検査します。

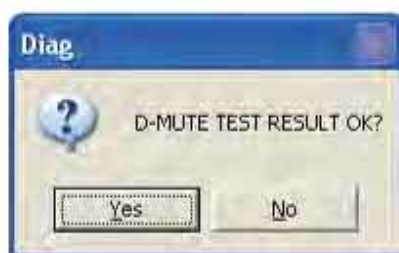
1 kHz, 0 dBu 正弦波を DSP シートの CN101 の 7 ピン (SIG-) と 8 ピン (SIG+) 間に入力します。

D-MUTE 検査を実施し、出力レベルが下記の範囲内であることを確認します。

CN103 の 17 ピン (SIG-LF+) - 18 ピン (SIG-LF-) -80 dBu or less

CN104 の 1 ピン (SIG-HF+) - 2 ピン (SIG-HF-) -80 dB or less

OK の場合、「Yes」をクリックします。NG の場合、「No」をクリックします。



The result is displayed in output window as shown below.

When OK

Measurement value OK	OK: D-MUTE LEVEL
----------------------	------------------

When NG

Measurement value NG	NG: D-MUTE LEVEL
----------------------	------------------

Troubleshooting

If NG, check signal lines between DSP (DSP circuit board: IC104) and DAC (DSP circuit board: IC301) and connectors (DSP circuit board: CN103 and CN104), and AMPS circuit board.

検査結果はアウトプットウィンドウへ下記のように表示されます。

OK の場合

計測値 OK	OK: D-MUTE LEVEL
--------	------------------

NG の場合

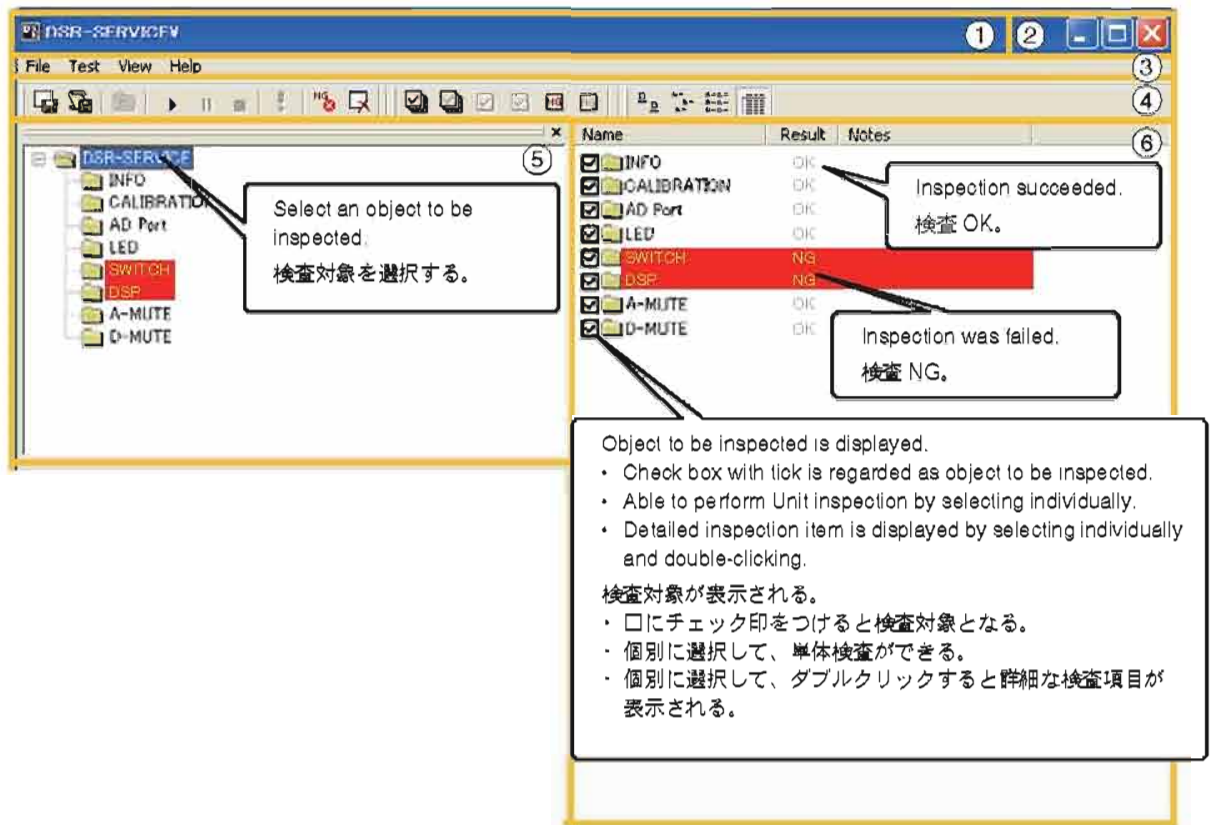
計測値 NG	NG: D-MUTE LEVEL
--------	------------------

トラブルシューティング

NG の場合、DSP (DSP シート: IC104) と DAC (DSP シート: IC301) 及びコネクタ (DSP シート: CN103, CN104) 間の信号線、及び AMPS シートを確認してください。

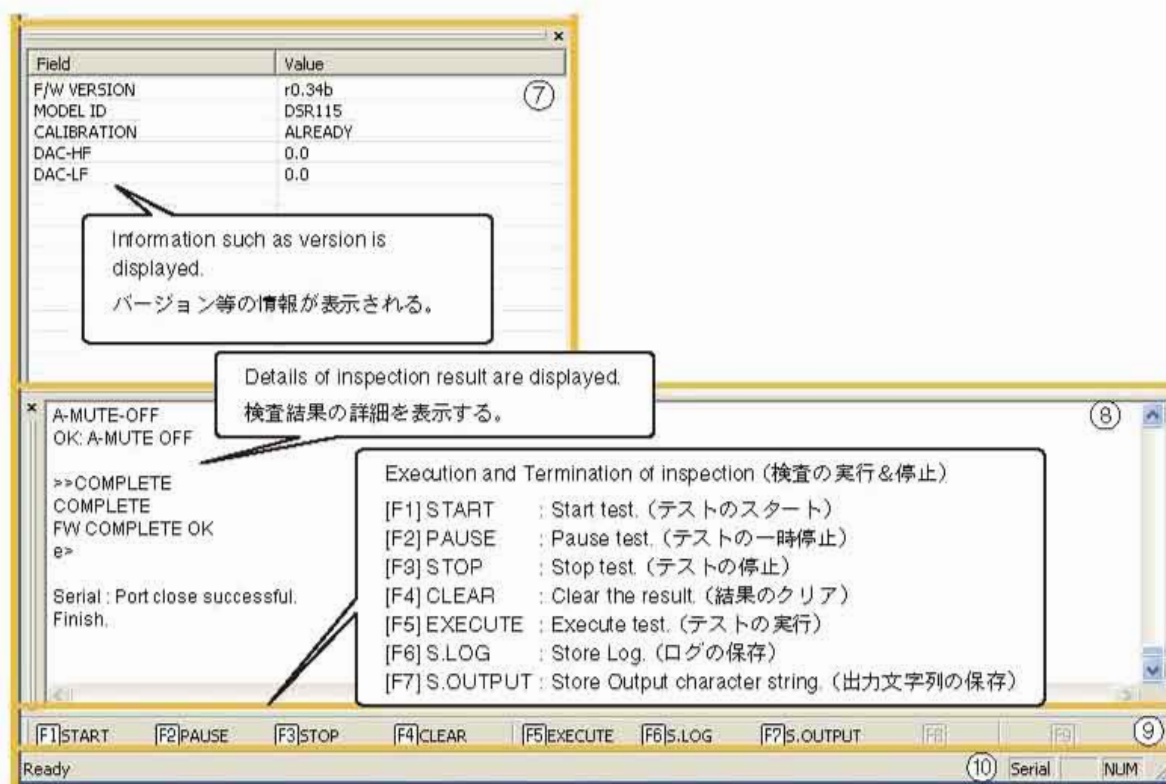
The explanation of Application

アプリケーション説明



- (1) **Title bar (①)**
Title of application is displayed.
- (2) **Title button (②)**
Button for managing window is displayed.
The buttons are “minimization”, “maximization” and “close” from the left.
- (3) **Menu bar (③)**
Menu list is displayed.
- (4) **Tool bar (④)**
Command buttons are displayed.
- (5) **Tree window (⑤)**
Test items are shown by hierarchical display.
After being selected, item which is included in hierarchy is displayed in “List window”.
- (6) **List window (⑥)**
List of items which are included in hierarchy selected in Tree window is displayed.
When test is started from [Test]-[Start] menu, only ticked item is performed.
When “Detail” is selected to display, “Result” and “Procedure” are displayed.
Font color can be changed depending on test result.
Font color change is specified at [View]-[Options] menu.

- (1) **タイトルバー (①)**
アプリケーションのタイトルが表示されます。
- (2) **タイトルボタン (②)**
ウィンドウ操作を行うボタンが表示されます。
ボタンは左から「最小化」、「最大化」、「閉じる」。
- (3) **メニューバー (③)**
メニュー一覧が表示されます。
- (4) **ツールバー (④)**
コマンドボタンが表示されます。
- (5) **ツリーウィンドウ (⑤)**
テスト項目が階層表示されます。
選択を行うと階層に含まれる項目が「リストウィンドウ」に表示されます。
- (6) **リストウィンドウ (⑥)**
「ツリーウィンドウ」で選択された階層内に含まれる項目一覧が表示されます。
[テスト] - [開始] メニューでテストを開始した場合、チェックマークが付いている項目のみが実行されます。
表示に「詳細」を選択した場合は「結果」と「プロシージャ」が表示されます。
テスト結果により文字色を変更することができます。
文字色の変更は [View] - [Options] メニューで設定します。

**(7) Property window (7)**

List of character strings obtained by test is displayed

(8) Output window (8)

Character strings, such as communication content with the unit, are displayed.

Font type and the color are specified at [View]-[Options] menu.

(9) Function Key (9)

Commands assigned from F1 to F12 are displayed.

(10) Status bar (10)

The explanation of select command and status of toggle key are displayed.

(11) Communication error

If there is no communication response in each inspection, "Port open error" is indicated on Output window.

The followings are considered as the cause.

- RS 232C crossing cable is not connected.
- Malfunction of Serial port and/or peripheral circuitry.

(7) プロパティウインドウ (7)

テストにより取得した文字列の一覧を表示します。

(8) アウトプットウインドウ (8)

本体との通信内容等の文字列が表示されます。フォントの種類及び文字色の変更は[View]-[Options]メニューで設定します。

(9) ファンクションキー (9)

F1 ~ F12 キーへ割り当てられたコマンドが表示されます。

(10) ステータスバー (10)

選択コマンドの説明及びトグルキーの状態を表示します。

(11) 通信エラー

各検査で通信応答が無い場合は、アウトプットウインドウへ「Port open error.」と表示します。

原因として、下記の事が考えられます。

- RS 232C クロスケーブルが接続されていない。
- シリアル端子および周辺回路の故障。

■ INSPECTIONS (検査)

DSR112/DSR115/DSR215

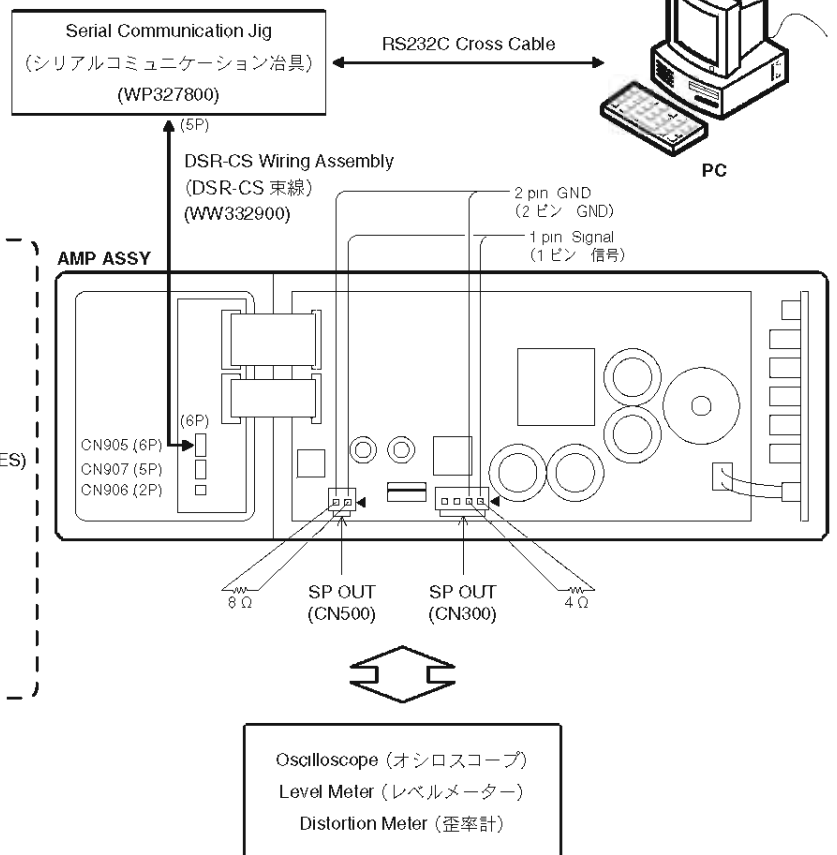
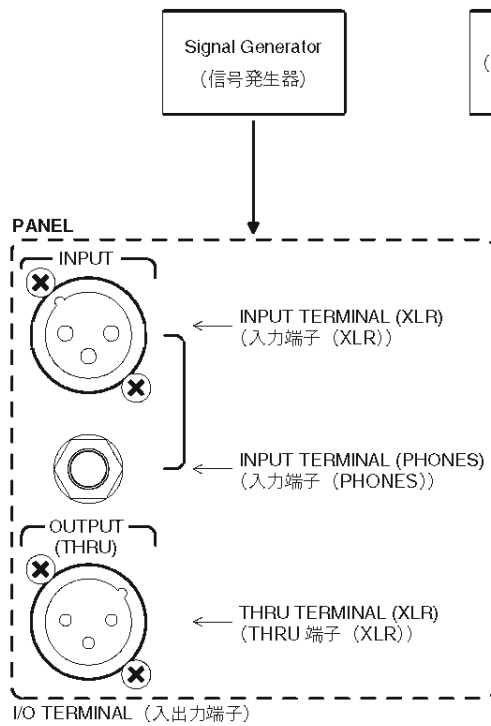
This test specification is applied to the AMP assembly 112/115/215.

1. Measurement Conditions

1-1. Measuring Instrument and jigs

- Use a reliable measuring device capable of precisely measuring the specification values indicated in this document.
- Input impedance of the measuring instrument should be more than 100 kΩ.
- Use the 22kHz low pass filter for the measurement of the noise, total harmonic distortion and maximum output.
- Serial Communication Jig (WP327800) x 1
- DSR-CS Wiring Assembly (WW332900) x 1
- RS232C Cross Cable x 1

1-2. Connection



DSR112/DSR115/DSR215

この検査規格はアンプ Ass'y 112/115/215 に適用されます。

1. 測定条件

1-1. 測定器、治具

- 検査に使用する測定器は、本文中に記載の規格を十分精度良く測定できる精度及び確度を持つものを使用してください。
- 測定器の入カインピーダンスは 100 k Ω 以上のものを使用してください。
- ノイズ、全高調波歪率、最大出力の測定には 22kHz のローパスフィルタを使用してください。
- シリアルコミュニケーション治具 (WP327800) × 1
- DSR-CS 束線 (WW332900) × 1
- RS232C クロスケーブル × 1

1-2. 接続

1-3. Preparation

- The load resistors for each output terminals are as follows.

SP OUT(CN300)	: 4 Ω (Rated 500W or more)
SP OUT(CN500)	: 8 Ω (Rated 100W or more)
- 0dBu is referenced to 0.775Vrms. 0dBV is referenced to 1Vrms.
- Unless otherwise specified, the controls should be set as follows.

Level control	: 10 (MAX)
MIC/LINE switch	: LINE
HPF switch	: OFF
D-CONTOUR switch	: OFF
FRONT LED DISABLE switch	: OFF
- Unless otherwise specified, the input signal should be 1 kHz sine wave.
- The output impedance of signal generator should be 150 Ω.

1-4. Activating diagnostic mode and application for service inspection

The inspection must be performed with both the diagnostic mode of the unit and the application for service inspection of PC are activated.

Follow the steps below.

- With the FRONT LED DISABLE switch turned off, turn on the power to the amp assembly. After about 4 seconds, the diagnostic mode is activated and all LEDs on the rear panel blink at intervals of 500ms.
- Run application for service inspection (DiagDSR-SERVICE.exe).

2. Inspection Items

2-1. Power consumption

Ground the input terminal via 150 Ω resistor.

Confirm that the power consumption is 40 W or less.

1-3. 準備

- 各出力端子に下記の負荷抵抗を接続します。

SP OUT (CN300)	: 4 Ω (定格 500W 以上)
SP OUT (CN500)	: 8 Ω (定格 100W 以上)
- 0 dBu = 0.775 Vrms、0 dBV = 1 Vrms とします。
- 特に指定のない場合、コントロールツマミ類は以下のように設定します。

LEVEL コントロール	: 10 (最大)
MIC/LINE スイッチ	: LINE
HPF スイッチ	: OFF
D-CONTOUR スイッチ	: OFF
FRONT LED DISABLE スイッチ	: OFF
- 特に指定のない場合、入力信号は 1 kHz 正弦波とします。
- 信号発生器の出力インピーダンスは 150 Ω とします。

1-4. ダイアグモードとサービス検査用アプリケーションの起動

検査は、本体のダイアグモードと PC のサービス検査用アプリケーション両方を起動した状態で行います。以下の操作をします。

- FRONT LED DISABLE スイッチをオフにした状態でアンプ Ass'y の電源を入れます。約 4 秒後、ダイアグモードが起動し、リアパネルにある全 LED が 500 ms 間隔で点滅します。
- サービス検査用アプリケーション (DiagDSR-SERVICE.exe) を起動します。

2. 検査項目

2-1. 消費電力

入力端子を 150 Ω の抵抗を介して接地します。

消費電力が 40 W 以下であることを確認します。

2-2. Adjustment

- * The tip of the screwdriver for adjustment must be insulation material.
- * Perform adjustment with no signal input

- (1) Adjustment of PFC voltage and $\pm B$ voltage
 Adjust VR101 so that the PFC voltage is 399.8 V – 400.2 V.
 Confirm that the voltage across 1 pin – 2 pin of CN103 is 82.0 ± 1.0 V.

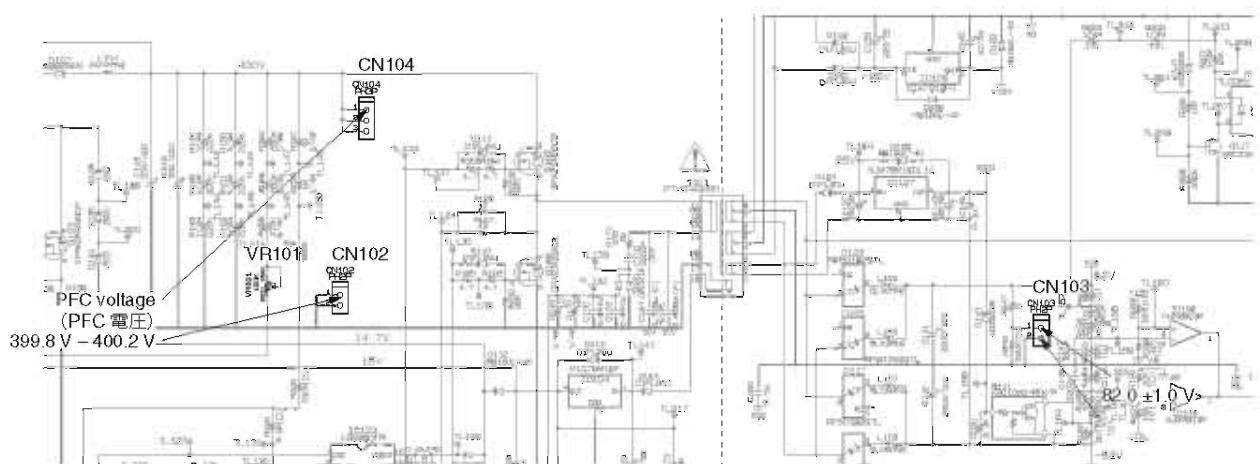
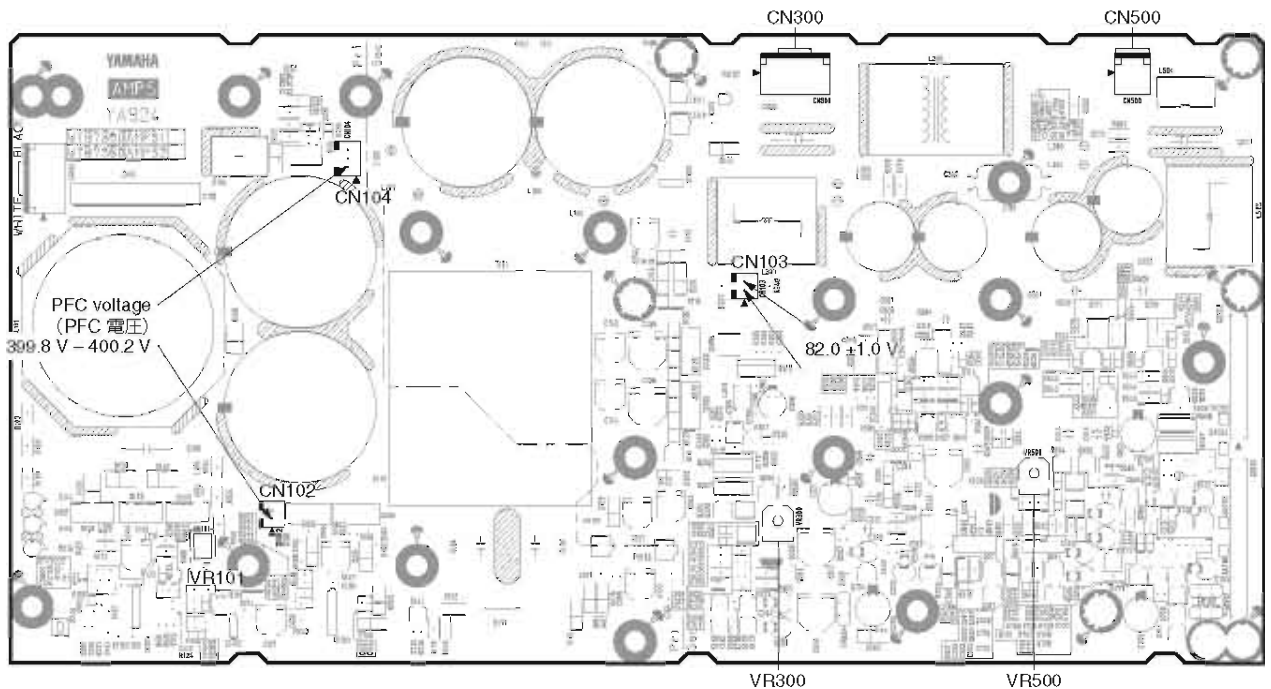
If the voltage is 82.0 ± 1.0 V, adjustment is completed.
 If the voltage is less than 81.0 V, readjust VR101 so that the voltage becomes 81.0 V – 81.5 V.
 If the voltage is more than 83.0 V, readjust VR101 so that the voltage becomes 82.5 V – 83.0 V.

2-2. 調整

- ※ 調整用ドライバーは必ず先端が絶縁素材のものを使用すること。
- ※ 調整は入力無信号の状態で行います。

- (1) PFC 電圧および $\pm B$ 電圧の調整
 PFC 電圧が 399.8 V – 400.2 V となるように VR101 を調整します。
 CN103 1 ピン – 2 ピン間の電圧が 82.0 ± 1.0 V であることを確認します。

電圧が 82.0 ± 1.0 V の場合、調整は完了です。
 電圧が 81.0 V 未満の場合、81.0 V – 81.5 V になるように VR101 を調整します。
 電圧が 83.0 V を越える場合、82.5 V – 83.0 V になるように VR101 を調整します。



(2) Adjustment of offset voltage of amplifier output

- * Start adjustment longer than 5 seconds after the power switch is turned on.
- Adjust VR300 so that the voltage across 1 pin – 2 pin of CN300 is $0\text{ V} \pm 2\text{ mV}$.
- Adjust VR500 so that the voltage across 1 pin – 2 pin of CN500 is $0\text{ V} \pm 2\text{ mV}$.

2-3. Power consumption when idling

Ground the input terminal via $150\ \Omega$ resistor.
Confirm that the power consumption is 35 W or less.

2-4. Confirmation of Firmware Version

Execute INFO inspection of diagnostic mode.
Confirm the firmware version displayed on the PC.

2-5. Confirmation of Model ID

Execute INFO inspection of diagnostic mode.
Confirm the model ID displayed on the PC is as specified below.

Amp Assembly Name		MODEL ID
AMP ASSY 215	⇒	DSR215
AMP ASSY 115	⇒	DSR115
AMP ASSY 112	⇒	DSR112

2-6. Measurement of Carrier Frequency

With all loads of the output terminal removed and no signal input, confirm that the carrier frequency of output signal is within the specified below.

SP OUT (CN300)	: $355 \pm 15\text{ kHz}$
SP OUT (CN500)	: $355 \pm 15\text{ kHz}$

2-7. Calibration

Execute CALIBRATION adjustment inspection of diagnostic mode.
For the operation procedure, refer to “3-2. CALIBRATION adjustment inspection” on page 43.

2-8. Confirmation of temperature sensor

Execute AD input port inspection of diagnostic mode.
T-SENSE (IC101 60 pin), which is output from IC300 of AMPS circuit board, is checked automatically.

Specified range	: $0.10\text{ V} \sim 0.50\text{ V}$
-----------------	--------------------------------------

2-9. Confirmation of indicator

Execute LED inspection of diagnostic mode.
Confirm that each indicator lights properly.

(2) アンプ出力のオフセット電圧の調整

- ※ 電源をオンした後、5秒以上待ってから調整を始めてください。
- CN300の1ピン–2ピン間の電圧が $0\text{ V} \pm 2\text{ mV}$ になるようにVR300を調整します。
- CN500の1ピン–2ピン間の電圧が $0\text{ V} \pm 2\text{ mV}$ になるようにVR500を調整します。

2-3. アイドリング時の消費電力

入力端子を $150\ \Omega$ の抵抗を介して接地します。
消費電力が 35 W 以下であることを確認します。

2-4. ファームウェアバージョンの確認

ダイアグモードの INFO 検査を実行します。
PC に表示されるファームウェアバージョンを確認します。

2-5. モデル ID の確認

ダイアグモードの INFO 検査を実行します。
PC に表示されるモデル ID が下記の規定通りであることを確認します。

アンプ Ass'y の名称		モデル ID
AMP ASSY 215	⇒	DSR215
AMP ASSY 115	⇒	DSR115
AMP ASSY 112	⇒	DSR112

2-6. キャリア周波数測定

出力端子の負荷をすべて外しかつ入力無信号の状態
で、出力信号のキャリア周波数が下記の規定範囲内
にあることを確認します。

SP OUT (CN300)	: $355 \pm 15\text{ kHz}$
SP OUT (CN500)	: $355 \pm 15\text{ kHz}$

2-7. キャリブレーション

ダイアグモードの CALIBRATION 検査を実行します。
操作手順は「3-2. CALIBRATION 調整検査」(43 ページ)
を参照してください。

2-8. 温度センサーの確認

ダイアグモードの AD 入力ポート検査を実行します。
温度センサー (AMPS シート IC300) の出力電圧である
T-SENS (DSP シート IC101 60 ピン) が自動的に検査
されます。

許容範囲	: $0.10\text{ V} \sim 0.50\text{ V}$
------	--------------------------------------

2-9. インジケータの確認

ダイアグモードの LED 検査を実行します。
各インジケータが正常に点灯することを確認します。

2-10. Confirmation of switch

Execute SWITCH inspection of diagnostic mode.

Confirm that each switch operates properly.

2-11. Gain (LINE)

- (1) Input the 1 kHz, -9.5 dBu sine wave to the input terminal (PHONES).

Confirm that the output level at the THRU terminal is -9.5 ± 2.0 dBu.

- (2) Input the 1 kHz, -9.5 dBu sine wave to the input terminal (XLR).

Confirm that the output level is within the specified below.

SP OUT (CN300) : 24.3 ± 2.0 dBu

SP OUT (CN500) : 20.3 ± 2.0 dBu

2-12. Frequency Response

- (1) SP OUT(CN300)

Input the 20 Hz, 1 kHz, 20 kHz, -9.5 dBu sine wave to the input terminal and one by one measure the output level at the SP OUT(CN300) for each frequency.

Confirm that the output level at 20 Hz is -1 ± 2 dB when compared with the output level at 1 kHz (0 dB).

Confirm that the output level at 20 kHz is -4.3 ± 2 dB when compared with the output level at 1 kHz (0 dB).

- (2) SP OUT(CN500)

Input the 20 Hz, 1 kHz, 20 kHz, -9.5 dBu sine wave to the input terminal and one by one measure the output level obtained at the SP OUT(CN500) for each frequency.

Confirm that the output level at 20 Hz is -1.2 ± 2 dB when compared with the output level at 1 kHz (0 dB).

Confirm that the output level at 20 kHz is -1.5 ± 2 dB when compared with the output level at 1 kHz (0 dB).

2-13. Total Harmonic total harmonic distortion (LINE)

Input the 1kHz sine wave to the input terminal (XLR).

Confirm that the total harmonic distortion is 0.4 % or less when 8.23 dBu (1 W/4 Ω) is obtained at SP OUT (CN300).

Confirm that the total harmonic distortion is 0.2 % or less when 11.24 dBu (1 W/8 Ω) is obtained at SP OUT (CN500).

2-10. スイッチの確認

ダイアグモードの SWITCH 検査を実行します。

各スイッチが正常に動作することを確認します。

2-11. 利得 (LINE)

- (1) 入力端子 (PHONES) へ 1 kHz、-9.5 dBu の正弦波を入力します。

THRU 端子の出力レベルが -9.5 ± 2.0 dBu であることを確認します。

- (2) 入力端子 (XLR) へ 1 kHz、-9.5 dBu の正弦波を入力します。

出力レベルが下記の規定範囲内であることを確認します。

SP OUT (CN300) : 24.3 ± 2.0 dBu

SP OUT (CN500) : 20.3 ± 2.0 dBu

2-12. 周波数特性

- (1) SP OUT (CN300)

入力端子に 20 Hz、1 kHz、20 kHz、-9.5 dBu の正弦波を入力し、各周波数での SP OUT (CN300) の出力レベルを測定します。

20 Hz における出力レベルが 1 kHz の出力レベルと比較して -1 ± 2 dB 以内であることを確認します。

20 kHz における出力レベルが 1 kHz の出力レベルと比較して -4.3 ± 2 dB 以内であることを確認します。

- (2) SP OUT (CN500)

入力端子に 20 Hz、1 kHz、20 kHz、-9.5 dBu の正弦波を入力し、各周波数での SP OUT (CN500) の出力レベルを測定します。

20 Hz における出力レベルが 1 kHz の出力レベルと比較して -1.2 ± 2 dB 以内であることを確認します。

20 kHz における出力レベルが 1 kHz の出力レベルと比較して -1.5 ± 2 dB 以内であることを確認します。

2-13. 全高調波歪率測定 (LINE)

入力端子 (XLR) へ 1 kHz の正弦波を入力します。

SP OUT (CN300) に 8.23 dBu (1 W/4 Ω) を得るとき全高調波歪率が 0.4 % 以下であることを確認します。

SP OUT (CN500) に 11.24 dBu (1 W/8 Ω) を得るとき全高調波歪率が 0.2 % 以下であることを確認します。

2-14. Maximum Output

- (1) Input the 100 Hz, sine wave to the input terminal (XLR).
Confirm that the total harmonic distortion is 1.0 % or less when 35.23 dBu (500 W/4 Ω) is obtained at SP OUT (CN300).
 - (2) Input the 5 kHz sine wave to the input terminal (XLR).
Confirm that the total harmonic distortion is 1.0 % or less when 31.25 dBu (100 W/8 Ω) is obtained at SP OUT (CN500).
- * Accomplished this inspection within 5 seconds per each.
 - * Measure each output individually.

2-15. Output noise level (LINE)

- Ground the input terminal via 150 Ω resistor.
Confirm that the output noise level is within the specified below.
- | | |
|----------------|-------------------|
| SP OUT (CN300) | : -60 dBu or less |
| SP OUT (CN500) | : -62 dBu or less |

2-16. Residual noise level

- With all loads of the output terminal removed and no signal input, set the level control to 0 (MIN) position.
Confirm that the output noise level is within the specified below.
- | | |
|----------------|-------------------|
| SP OUT (CN300) | : -60 dBu or less |
| SP OUT (CN500) | : -62 dBu or less |

2-17. Gain (MIC)

- Set the MIC/LINE switch to the MIC side.
Input the 1 kHz, -35 dBu sine wave to the input terminal (XLR).
Confirm that the output level is within the specified below.
- | | |
|----------------|------------------|
| SP OUT (CN300) | : 24.3 ± 2.0 dBu |
| SP OUT (CN500) | : 20.3 ± 2.0 dBu |

2-18. Total Harmonic total harmonic distortion (MIC)

- Set the MIC/LINE switch to the MIC side.
Input the 1kHz sine wave to the input terminal (XLR).
Confirm that the total harmonic distortion is 0.4 % or less when 8.23 dBu (1 W/4 Ω) is obtained at SP OUT (CN300).
Confirm that the total harmonic distortion is 0.2 % or less when 11.24 dBu (1 W/8 Ω) is obtained at SP OUT (CN500).

2-19. Output noise level (MIC)

- Set the MIC/LINE switch to the MIC side.
Ground the input terminal via 150 Ω resistor.
Confirm that the noise level is within the specified below.
- | | |
|-----------------|-----------------|
| SP OUT (CN300): | -48 dBu or less |
| SP OUT (CN500): | -51 dBu or less |

2-14. 最大出力

- (1) 入力端子(XLR)へ100 Hzの正弦波を入力します。
SP OUT (CN300)に35.23 dBu (500 W/4 Ω)が得られるとき、全高調波歪率が1.0 %以下であることを確認します。
 - (2) 入力端子(XLR)へ5 kHzの正弦波を入力します。
SP OUT (CN500)に31.25 dBu (100 W/8 Ω)が得られるとき、全高調波歪率が1.0 %以下であることを確認します。
- ※ この検査は各々5秒以内に終了してください。
 - ※ 各出力を個別に測定してください。

2-15. 出力ノイズレベル (LINE)

- 入力端子を150 Ω抵抗で接地します。
出力ノイズレベルが下記の規定範囲内であることを確認します。
- | | |
|----------------|--------------|
| SP OUT (CN300) | : -60 dBu 以下 |
| SP OUT (CN500) | : -62 dBu 以下 |

2-16. 残留ノイズ

- 出力端子の負荷抵抗をすべて外しかつ入力無信号の状態、レベルコントロールを0(最小)に設定します。
出力ノイズレベルが下記の規定範囲内であることを確認します。
- | | |
|----------------|--------------|
| SP OUT (CN300) | : -60 dBu 以下 |
| SP OUT (CN500) | : -62 dBu 以下 |

2-17. 利得 (MIC)

- MIC/LINEスイッチをMIC側に設定します。
入力端子(XLR)へ1 kHz、-35 dBuの正弦波を入力します。
出力レベルが下記の規定範囲内であることを確認します。
- | | |
|----------------|------------------|
| SP OUT (CN300) | : 24.3 ± 2.0 dBu |
| SP OUT (CN500) | : 20.3 ± 2.0 dBu |

2-18. 全高調波歪 (MIC)

- MIC/LINEスイッチをMIC側に設定します。
入力端子(XLR)へ1kHz正弦波を入力します。
SP OUT (CN300)に8.23 dBu (1 W/4 Ω)の出力を得るとき全高調波歪率が0.4 %以下であることを確認します。
SP OUT (CN500)に11.24 dBu (1 W/8 Ω)の出力を得るとき全高調波歪率が0.2 %以下であることを確認します。

2-19. 出力ノイズレベル (MIC)

- MIC/LINEスイッチをMIC側に設定します。
入力端子を150 Ω抵抗で接地します。
出力ノイズレベルが下記の規定範囲内であることを確認します。
- | | |
|----------------|--------------|
| SP OUT (CN300) | : -48 dBu 以下 |
| SP OUT (CN500) | : -51 dBu 以下 |

2-20. Analog mute inspection

Execute A-MUTE inspection of diagnostic mode.

Input the 1 kHz, -9.5 dBu sine wave to the input terminal (XLR), turn on /A-MUTE signal and confirm that the output level is -10 dBu or less.

2-21. DC protection circuit DC

Turn the power switch off, disconnect the DSR-CS wiring assembly and turn the power switch on again.

- (1) Input DC +1 V to 1 pin of CN907 of the BRG circuit board.

Confirm that the DC protection operates within one second to shut down the power supply and the POWER indicator turns off.

Open 1 pin of CN907 of the BRG circuit board.

Confirm that the power supply keeps shut down and the POWER indicator keeps turned off.

Turn the power switch off and on again, and confirm that the unit operates properly.

- (2) Input DC -1 V to 1 pin of CN907 of the BRG circuit board.

Confirm that the DC protection operates within one second to shut down the power supply and the POWER indicator turns off.

Open 1 pin of CN907 of the BRG circuit board.

Confirm that the power supply keeps shut down and the POWER indicator keeps turned off.

Turn the power switch off and on again, and confirm that the unit operates properly.

- (3) Input DC +1 V to 2 pin of CN907 of the BRG circuit board.

Confirm that the DC protection operates within one second to shut down the power supply and the POWER indicator turns off.

Open 2 pin of CN907 of the BRG circuit board.

Confirm that the power supply keeps shut down and the POWER indicator keeps turned off.

Turn the power switch off and on again, and confirm that the unit operates properly.

- (4) Input DC -1 V to 2 pin of CN907 of the BRG circuit board.

Confirm that the DC protection operates within one second to shut down the power supply and the POWER indicator turns off.

Open 2 pin of CN907 of the BRG circuit board.

Confirm that the power supply keeps shut down and the POWER indicator keeps turned off.

Turn the power switch off and on again, and confirm that the unit operates properly.

2-20. アナログ MUTE 検査

ダイアグモードの A-MUTE を実施します。

入力端子 (XLR) に 1 kHz、-9.5 dBu の正弦波を入力し、/A-MUTE 信号を ON した時の出力レベルが -10 dBu 以下であることを確認します。

2-21. DC プロテクション回路

電源スイッチを OFF し、DSR-CS 束線を外して、電源スイッチを再び ON します。

- (1) BRG シートの CN907 の 1 ピンに DC +1 V を入力します。

1 秒以内に DC プロテクションが動作し、電源がシャットダウンし、POWER LED が消灯することを確認します。

CN907 の 1 ピンをオープンにします。

電源はシャットダウンのまま、POWER LED は消灯のままであることを確認します。

電源スイッチを OFF し、再度 ON して、本体が正常に動作することを確認します。

- (2) BRG シートの CN907 の 1 ピンに DC -1 V を入力します。

1 秒以内に DC プロテクションが動作し、電源がシャットダウンし、POWER LED が消灯することを確認します。

CN907 の 1 ピンをオープンにします。

電源はシャットダウンのまま、POWER LED は消灯のままであることを確認します。

電源スイッチを OFF し、再度 ON して、本体が正常に動作することを確認します。

- (3) BRG シートの CN907 の 2 ピンに DC +1 V を入力します。

1 秒以内に DC プロテクションが動作し、電源がシャットダウンし、POWER LED が消灯することを確認します。

CN907 の 2 ピンをオープンにします。

電源はシャットダウンのまま、POWER LED は消灯のままであることを確認します。

電源スイッチを OFF し、再度 ON して、本体が正常に動作することを確認します。

- (4) BRG シートの CN907 の 2 ピンに DC -1 V を入力します。

1 秒以内に DC プロテクションが動作し、電源がシャットダウンし、POWER LED が消灯することを確認します。

CN907 の 2 ピンをオープンにします。

電源はシャットダウンのまま、POWER LED は消灯のままであることを確認します。

電源スイッチを OFF し、再度 ON して、本体が正常に動作することを確認します。

3. Discharging capacitors

The capacitors C118 and C119 on the AMPS circuit board maintain a high voltage even when the power is switched off. To avoid an electrical shock and malfunction, discharge remaining voltage by the following procedure.

After inspection is completed, turn off the power and disconnect the power cable from the AC outlet.

Connect discharging resistor (220 Ω 10 W) between CN104 (any of three pins) and CN102 (any of two pins) of the AMPS circuit board.

The required discharging time is about 10 seconds. Check that the DC voltage between the terminals measures close to 0 (zero) volts using a multi-meter to make sure that the discharge is completed.

3. コンデンサの放電

AMPS シートのコンデンサー C118、C119 には電源 OFF 状態でも高電圧が残ります。

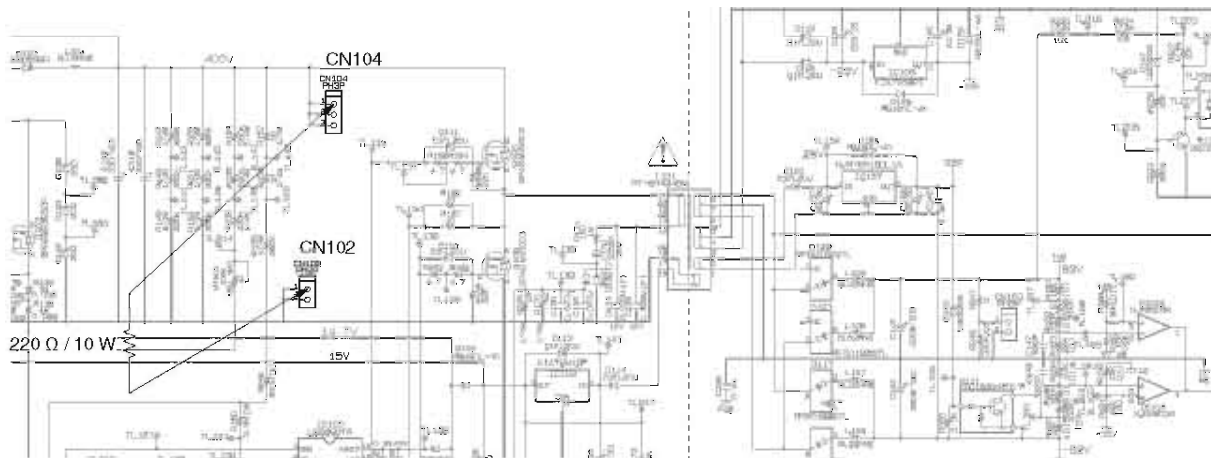
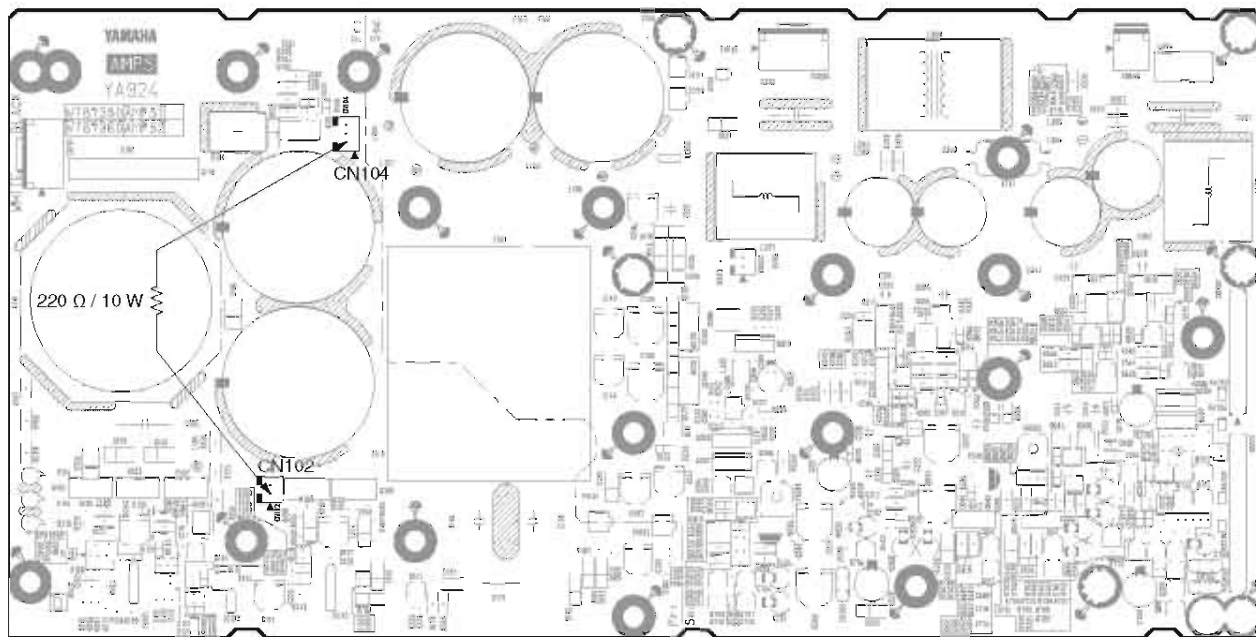
感電及び故障の防止のために残った電圧を下記の方法で放電してください。

検査終了後、電源を OFF し電源ケーブルを抜きます。

放電抵抗 (220 Ω、10 W) を AMPS シートの CN104 (3 ピンのどれでも良い) と CN102 (2 ピンのどれでも良い) の間に接続します。

放電に必要な時間は約 10 秒です。

放電完了確認のため、端子間電圧がほぼ 0 (ゼロ) V であることをテスターでチェックします。



DSR118W

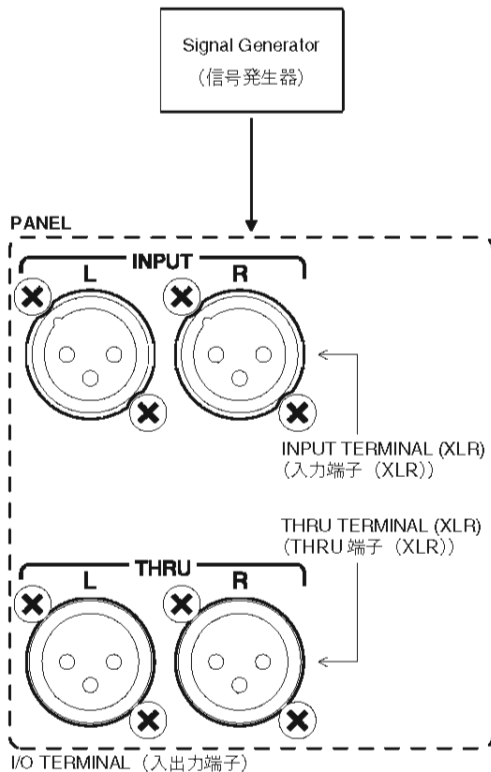
This inspection specification is applied to the AMP assembly 118.

1. Measurement Conditions

1-1. Measuring Instrument and jigs

- Use a reliable measuring device capable of precisely measuring the specification values indicated in this document.
- Input impedance of the measuring instrument should be more than 100 k Ω .
- Use the 22 kHz low pass filter for the measurement of the noise, total harmonic distortion and maximum output.

1-2. Connection



DSR118W

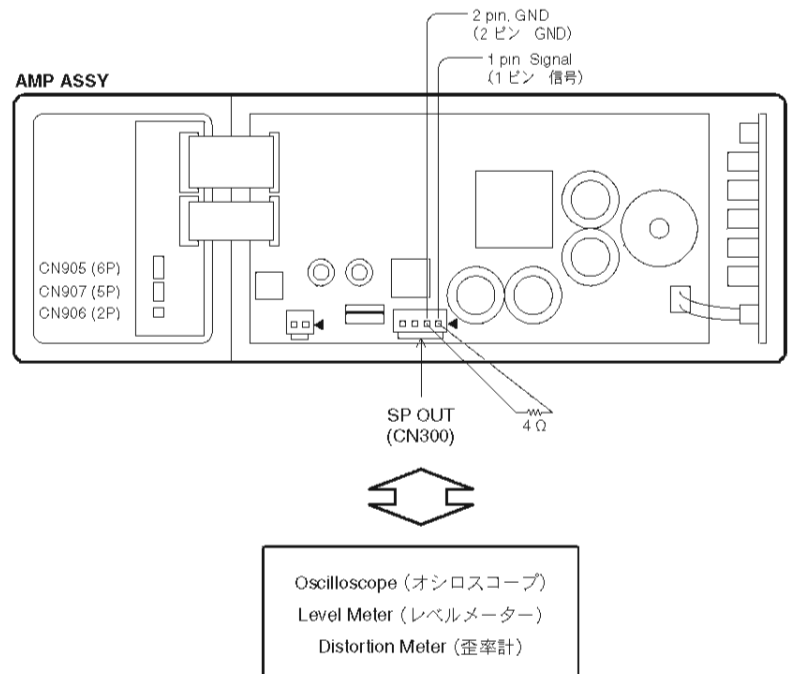
この検査規格は、アンプ Ass'y 118 に適用されます。

1. 測定条件

1-1. 測定器、治具

- 検査に使用する測定器は、本文中に記載の規格を十分精度良く測定できる精度及び確度を持つものを使用してください。
- 測定器の入力インピーダンスは100 k Ω 以上のものを使用してください。
- ノイズ、全高調波歪率、最大出力の測定には22 kHzのローパスフィルタを使用してください。

1-2. 接続



1-3. Preparation

- The load resistor for output terminal is as follows.
SP OUT (CN300) : 4 Ω (Rated 500 W or more)
- 0 dBu is referenced to 0.775 Vrms.
- Unless otherwise specified, the input signal should be 100 Hz sine wave.
- The output impedance of signal generator should be 150 Ω. (Balanced input)
- Unless otherwise specified, the controls should be set as follows.

Level control	: 10 (MAX)
POLARITY switch	: NORMAL
FRONT LED DISABLE switch	: OFF

2. Inspection Items

2-1. Power Indicator

Turn on the power switch.

Confirm that the power indicator lights within 5 seconds after the power switch is turned on.

2-2. Power consumption

Ground the input terminal via 150 Ω resistor. (INPUT L, R)

Confirm that the power consumption is 40 W or less.

2-3. Adjustment of AMPS

- * The tip of the screwdriver for adjustment must be insulation material.
- * Perform adjustment with no signal input.

1-3. 準備

- 出力端子に下記の負荷抵抗を接続します。
SP OUT (CN300) : 4 Ω (定格 500 W 以上)
- 0 dBu = 0.775 Vrms とします。
- 特に指定のない場合、入力信号は 100 Hz 正弦波とします。
- 信号発生器の出力インピーダンスは 150 Ω とします。(バランス入力)
- 特に指定のない場合、コントロールツマミ類は以下のように設定します。

LEVEL コントロール	: 10 (最大)
POLARITY スイッチ	: NORMAL
FRONT LED DISABLE スイッチ	: OFF

2. 検査項目

2-1. POWER インジケータ

アンプ Ass'y I18 の電源を ON します。

電源 ON 後、5 秒以内に POWER インジケータが点灯することを確認します。

2-2. 消費電力

入力端子を 150 Ω の抵抗を介して接地します。(INPUT L, R)

消費電力が 40 W 以下であることを確認します。

2-3. AMPS の調整

- ※ 調整用ドライバーは必ず先端が絶縁素材のものを使用してください。
- ※ 調整は入力無信号の状態で行います。

(1) Adjustment of PFC voltage and ± B voltage

Adjust VR101 so that the PFC voltage is 399.8 V – 400.2 V.

Confirm that the voltage across 1 pin – 2 pin of CN103 is 82.0 ± 1.0 V.

If the voltage is 82.0 ± 1.0 V, adjustment is completed.

If the voltage is less than 81.0 V, readjust VR101 so that the voltage is 81.0 V – 81.5 V.

If the voltage is more than 83.0 V, readjust VR101 so that the voltage is 82.5 V – 83.0 V.

(1) PFC 電圧および ± B 電圧の調整

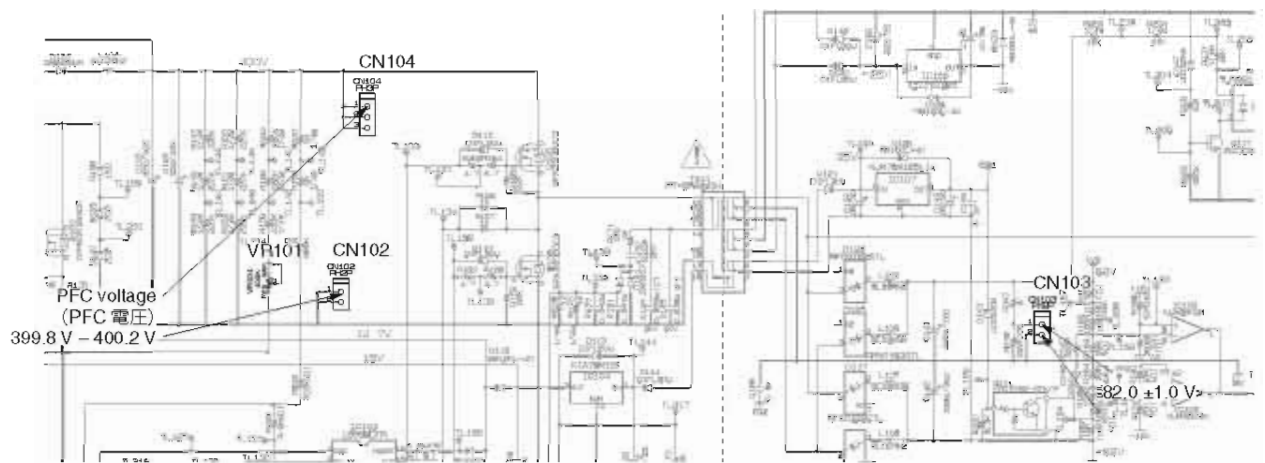
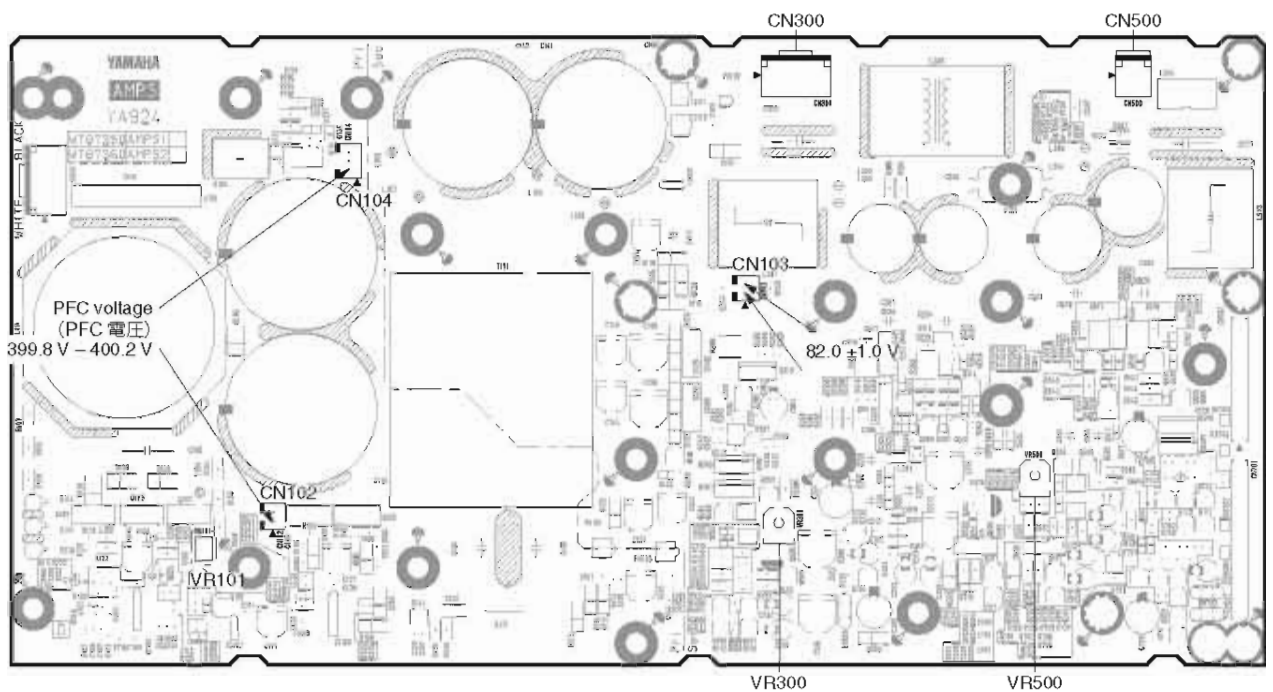
PFC 電圧が 399.8 V – 400.2 V となるように VR101 を調整します。

CN103 の 1 ピン – 2 ピン間の電圧が 82.0 ± 1.0 V であることを確認します。

電圧が 82.0 ± 1.0 V の場合、調整は完了です。

電圧が 81.0 V 未満の場合、81.0 V – 81.5 V になるように VR101 を調整します。

電圧が 83.0 V を越える場合、82.5 V – 83.0 V になるように VR101 を調整します。



(2) Adjustment of offset voltage of amplifier output

- * Start adjustment longer than 5 seconds after the power supply is turned on.

Adjust VR300 so that the voltage across 1 pin – 2 pin of CN300 is $0\text{ V} \pm 2\text{ mV}$.

2-4. Power consumption when idling

Ground the input terminal via $150\ \Omega$ resistor. (INPUT L, R)
Confirm that the power consumption is 30 W or less.

2-5. Measurement of Carrier Frequency

With no signal input and the load resistor unconnected to SP OUT (CN300), confirm that the carrier frequency of output signal is within the specified below.

SP OUT (CN300) : $355 \pm 15\text{ kHz}$

2-6. Thermal Protection

Perform this inspection with the load resistor unconnected to SP OUT (CN300).

- (1) Confirm that the DC voltage between 4 pin and 3 pin (GND) of CN907 on the BRG4 circuit board is $+180\text{ mV} \sim +500\text{ mV}$ (Temperature of sensor: $20\text{ }^\circ\text{C} \sim 40\text{ }^\circ\text{C}$).
- (2) Input 100 Hz, -10 dBu sine wave to INPUT L. terminal and measure the output level. (reference level)
- (3) Input +5VDC voltage between 4 pin (via $180\text{ k}\Omega$) and 3 pin (GND) of CN907 on the BRG4 circuit board.
Confirm that the output level is attenuated 40 dB or more when compared with reference level and the PROTECTION indicator lights.
- (4) Remove +5 VDC from 4 pin of CN907.
Confirm that the output level returns to reference level ($\pm 0.5\text{ dB}$) and the PROTECTION indicator turns off.

2-7. FRONT LED DISABLE switch

Connect a resistor $2.2\text{ k}\Omega$ between 1 pin and 2 pin (GND) of CN906 on the BRG4 circuit board.

- (1) Turn the FRONT LED DISABLE switch to OFF.
Confirm that the voltage across both ends of resistor $2.2\text{ k}\Omega$ is $7.5 \pm 1\text{ VDC}$.
- (2) Turn the FRONT LED DISABLE switch to ON.
Confirm that the voltage across both ends of resistor $2.2\text{ k}\Omega$ is $0 \pm 1\text{ VDC}$.

2-8. Gain of OUTPUT L and OUTPUT R

- (1) Input 100 Hz, -20 dBu sine wave to INPUT L
Confirm that the output level at OUTPUT L is $-20 \pm 0.5\text{ dBu}$.
- (2) Input 100 Hz, -20 dBu sine wave to INPUT R
Confirm that the output level at OUTPUT R is $-20 \pm 0.5\text{ dBu}$.

(2) アンプ出力のオフセット電圧の調整

- ※ 電源オン後、5秒以上待ってから調整を始めてください。

CN300 の 1 ピン – 2 ピン間の電圧が $0\text{ V} \pm 2\text{ mV}$ になるように VR300 を調整します。

2-4. アイドリング時の消費電力

入力端子を $150\ \Omega$ の抵抗を介して接地します。(INPUT L、R)
消費電力が 30 W 以下であることを確認します。

2-5. キャリア周波数測定

入力無信号、負荷抵抗を SP OUT (CN300) に接続しない状態で出力信号のキャリア周波数が下記の規定範囲内にあることを確認します。

SP OUT (CN300) : $355 \pm 15\text{ kHz}$

2-6. 高温プロテクション

この検査は、負荷抵抗を SP OUT (CN300) に接続しない状態で行います。

- (1) BRG4 シートの CN907 の 4 ピンと 3 ピン (GND) 間の DC 電圧が $+180\text{ mV} \sim +500\text{ mV}$ (センサー温度: $20\text{ }^\circ\text{C} \sim 40\text{ }^\circ\text{C}$) であることを確認します。
- (2) INPUT L 端子に 100 Hz、-10 dBu 正弦波を入力し、出力レベルを測定します。(基準レベル: 0 dB)
- (3) +5 VDC を BRG4 シートの CN907 の 4 ピン ($180\text{ k}\Omega$ を介して) と 3 ピン (GND) 間に入力します。
出力レベルが基準レベルと比較して 40 dB 以上減衰し、PROTECTION インジケーターが点灯することを確認します。
- (4) +5VDC を CN907 の 4 ピンから外します。
SP OUT の信号レベルが基準レベル ($\pm 0.5\text{ dB}$) に戻り、PROTECTION インジケーターが消灯することを確認します。

2-7. FRONT LED DISABLE スイッチ

BRG4 シート CN906 の 1 ピンと 2 ピン (GND) の間に $2.2\text{ k}\Omega$ の抵抗を接続します。

- (1) FRONT LED DISABLE スイッチを OFF にします。
 $2.2\text{ k}\Omega$ 抵抗の両端の電圧が $7.5 \pm 1\text{ VDC}$ であることを確認します。
- (2) FRONT LED DISABLE スイッチを ON にします。
 $2.2\text{ k}\Omega$ 抵抗の両端の電圧が $0 \pm 1\text{ VDC}$ であることを確認します。

2-8. OUTPUT L と OUTPUT R の利得

- (1) INPUT L 端子に 100 Hz、-20 dBu 正弦波を入力します。
OUTPUT L 端子の出力レベルが $-20 \pm 0.5\text{ dBu}$ であることを確認します。
- (2) INPUT R 端子に 100 Hz、-20 dBu 正弦波を入力します。
OUTPUT R 端子の出力レベルが $-20 \pm 0.5\text{ dBu}$ であることを確認します。

2-9. Frequency Response

- (1) Input the -20 dBu sine wave to the INPUT L terminal.
Confirm that the output level at each frequency is within the specified in the table below.

Frequency	Output level
20 Hz	0 ± 2.5 dBu
30 Hz	$+11.9 \pm 2$ dBu
50 Hz	$+23.1 \pm 2$ dBu
70 Hz	$+24.5 \pm 2$ dBu
100 Hz	$+19.6 \pm 2$ dBu
200 Hz	-6.5 ± 2.5 dBu

- (2) Input the 50 Hz, -20 dBu sine wave to the INPUT R terminal.
Confirm that the output voltage is $+23.1 \pm 2$ dBu.

2-10. POLARITY switch

Input the 65 Hz, -20 dBu sine wave to the INPUT L terminal.

- (1) Set the POLARITY switch to NORMAL position.
Measure the output level. (level A)
Confirm that the phase of output signal is the same as one of input signal.
- (2) Set the POLARITY switch to INVERTED position.
Measure the output level. (level B).
Confirm that the phase of output signal is reversed against one of input signal.
- (3) Confirm that the difference between level A and level B is 0 ± 1 dB.

2-11. Total Harmonic total harmonic distortion

Input the 100 Hz sine wave to the input terminal (L, R).
Confirm that the total harmonic distortion is 0.2 % or less when 8.23 dBu (1 W/4 Ω) is obtained at SP OUT (CN300).

2-12. Maximum Output

Input the 100 Hz, sine wave to the input terminal (L).
Confirm that the total harmonic distortion is 1.0 % or less when 35.23 dBu (500 W/4 Ω) is obtained at SP OUT (CN300).

* Accomplished this inspection within 5 seconds.

2-13. DC protection

- (1) Input DC +1 V between 1 pin and 3 pin (GND) of CN907 of the BRG4 circuit board.
Confirm that the DC protection operates within one second to shut down the power supply and the POWER indicator turns off.
Open 1pin of CN907 of the BRG4 circuit board.
Confirm that the power supply keeps shut down and the POWER indicator keeps turned off.

2-9. 周波数特性

- (1) INPUT L 端子に -20 dBu の正弦波を入力し、各周波数での出力レベルが下記の規定範囲内であることを確認します。

周波数	出力レベル
20 Hz	0 ± 2.5 dBu
30 Hz	$+11.9 \pm 2$ dBu
50 Hz	$+23.1 \pm 2$ dBu
70 Hz	$+24.5 \pm 2$ dBu
100 Hz	$+19.6 \pm 2$ dBu
200 Hz	-6.5 ± 2.5 dBu

- (2) INPUT R 端子に 50 Hz、-20 dBu の正弦波を入力し、出力電圧が $+23.1 \pm 2$ dBu であることを確認します。

2-10. POLARITY スイッチ

INPUT L 子に 65 Hz、-20 dBu 正弦波を入力します。

- (1) POLARITY スイッチを NORMAL の位置に設定します。
出力レベルを測定します。(レベル A)
出力信号が入力信号と同相であることを確認します。
- (2) POLARITY スイッチを INVERTED の位置に設定します。
出力レベルを測定します。(レベル B)
出力信号が入力信号と逆相であることを確認します。
- (3) レベル A とレベル B の差が 0 ± 1 dB であることを確認します。

2-11. 全高調波歪率測定

入力端子 (L, R) へ 100 Hz 正弦波を入力します。
SP OUT (CN300) に 8.23 dBu (1 W/4 Ω) を得るとき全高調波歪率が 0.2 % 以下であることを確認します。

2-12. 最大出力

入力端子 (XLR) へ 100 Hz の正弦波を入力します。
SP OUT (CN300) に 35.23 dBu (500 W/4 Ω) が得られるとき、全高調波歪率が 1.0 % 以下であることを確認します。

※ この検査は 5 秒以内に終了してください。

2-13. DC プロテクション回路

- (1) BRG4 シートの CN907 の 1 ピンと 3 ピン (GND) に DC +1 V を入力します。
1 秒以内に DC プロテクションが動作して電源がシャットダウンし、POWER インジケータが消灯することを確認します。
BRG4 シートの CN907 の 1 ピンをオープンにします。
電源はシャットダウンのまま、POWER インジケータは消灯のままであることを確認します。

Turn the power switch off and on again, and confirm that the unit operates properly.

- (2) Input DC -1 V between 1 pin and 3 pin (GND) of CN907 of the BRG4 circuit board.

Confirm that the DC protection operates within one second to shut down the power supply and the POWER indicator turns off.

Open 1 pin of CN907 of the BRG4 circuit board.

Confirm that the power supply keeps shut down and the POWER indicator keeps turned off.

Turn the power switch off and on again, and confirm that the unit operates properly.

2-14. Integral power protection

Perform this inspection with the load resistor unconnected to SP OUT (CN300).

Input the 65 Hz, -6 dBu sine wave to the INPUT L terminal.

Confirm that the output level is attenuated 10 dB or more in 13 ± 4.0 seconds and the LIMIT indicator lights at the same time.

Note:

The protection operating time shortens when the signal is applied before this inspection.

2-15. LIMITER

Perform this inspection with the load resistor unconnected to SP OUT (CN300).

Input the 65 Hz, -6 ± 2 dBu sine wave to the INPUT L terminal.

Confirm that the LIMIT indicator lights at the same time.

2-16. PEAK indicator

Perform this inspection with the load resistor unconnected to SP OUT (CN300).

Input the 65 Hz, $+0.5 \pm 2$ dBu sine wave to the INPUT L terminal.

Confirm that the PEAK indicator lights.

2-17. Output noise level

Perform this inspection with the load resistor unconnected to SP OUT (CN300).

Set the level control to 0 (MIN) position.

Confirm that the output noise level is within the specified below.

SP OUT (CN300): -65 dBu or less

電源スイッチを OFF し、再度 ON して、本体が正常に動作することを確認します。

- (2) BRG4 シートの CN907 の 1 ピンと 3 ピンに DC -1 V を入力します。

1 秒以内に DC プロテクションが動作して電源がシャットダウンし、POWER インジケーターが消灯することを確認します。

BRG4 シートの CN907 の 1 ピンをオープンにします。

電源はシャットダウンのまま、POWER インジケーターは消灯のままであることを確認します。

電源スイッチを OFF し、再度 ON して、本体が正常に動作することを確認します。

2-14. 積算電力プロテクション

この検査は、負荷抵抗を SP OUT (CN300) に接続しない状態で行います。

INPUT L 端子へ 65 Hz、-6 dBu 正弦波を入力します。

13 ± 4.0 秒後、出力レベルが 10 dB 以上減衰し、同時に LIMIT インジケーターが点灯することを確認します。

注:

この検査の前に信号を入力していた場合、プロテクション動作時間が短くなります。

2-15. リミッター

この検査は、負荷抵抗を SP OUT (CN300) に接続しない状態で行います。

INPUT L 端子へ 65 Hz、 -6 ± 2 dBu 正弦波を入力します。

信号入力と同時に LIMIT インジケーターが点灯することを確認します。

2-16. PEAK インジケーター

この検査は、負荷抵抗を SP OUT (CN300) に接続しない状態で行います。

INPUT L 端子へ 65 Hz、 $+0.5 \pm 2$ dBu 正弦波を入力します。

PEAK インジケーターが点灯することを確認します。

2-17. 出力ノイズレベル

この検査は、負荷抵抗を SP OUT (CN300) に接続しない状態で行います。

レベルコントロールを 0 (最小) に設定します。

出力ノイズレベルが下記の規定範囲内にあることを確認します。

SP OUT (CN300) : -65 dBu 以下

3. Discharging capacitors

The capacitors C118 and C119 on the AMPS circuit board maintain a high voltage even when the power is switched off. To avoid an electrical shock and malfunction, discharge remaining voltage by the following procedure.

After inspection is completed, turn off the power and disconnect the power cable from the AC outlet.

Connect discharging resistor (220 Ω , 10 W) between CN104 (any of three pins) and CN102 (any of two pins) of the AMPS circuit board.

The required discharging time is about 10 seconds. Check that the DC voltage between the terminals measures close to 0 (zero) volts using a multi-meter to make sure that the discharge is completed.

3. コンデンサの放電

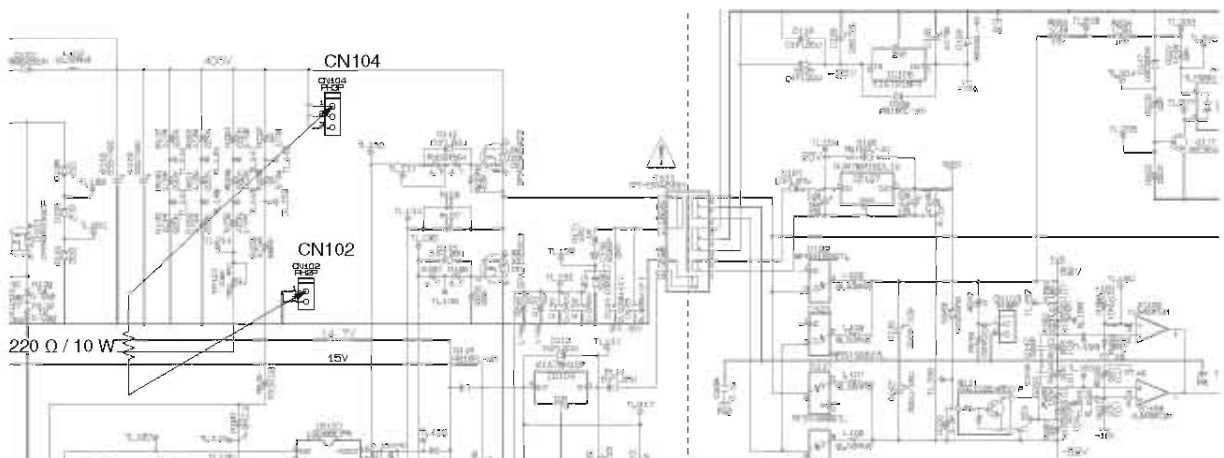
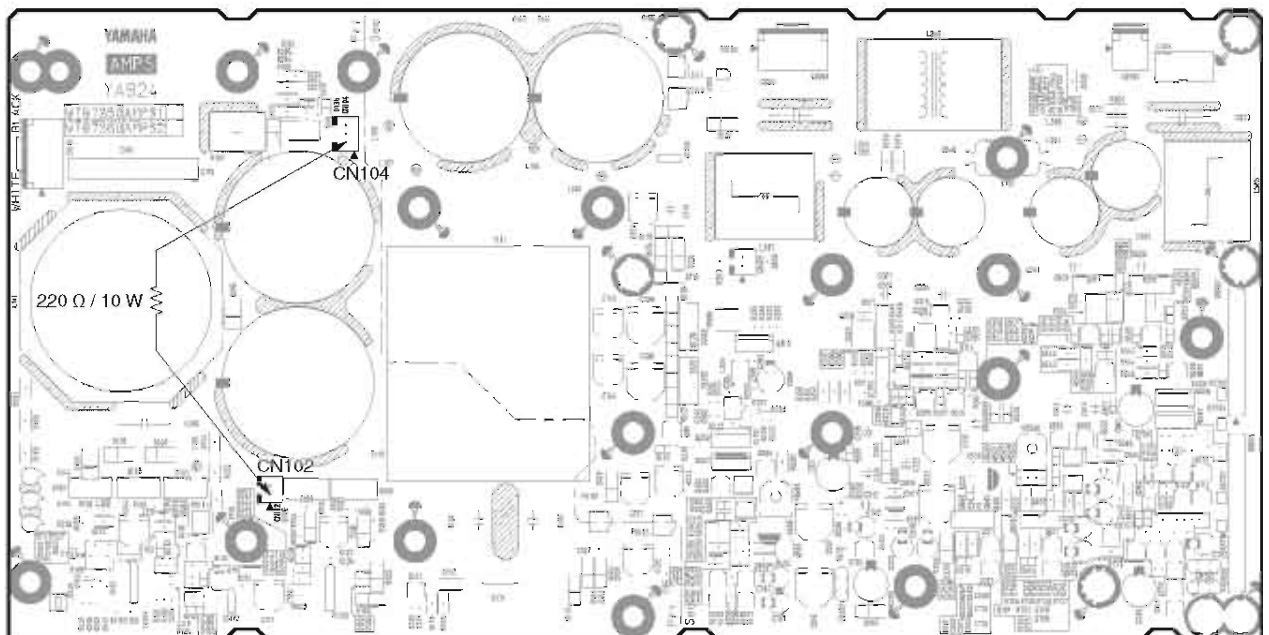
AMPSシートのコンデンサー C118、C119 には電源 OFF 状態でも高電圧が残ります。

感電及び故障の防止のために残った電圧を下記の方法で放電してください。

検査終了後、電源を OFF し電源ケーブルを抜きます。
放電抵抗 (220 Ω , 10 W) を AMPS シートの CN104 (3 ピンのどれでも良い) と CN102 (2 ピンのどれでも良い) の間に接続します。

放電に必要な時間は約 10 秒です。

放電完了確認のため、端子間電圧がほぼ 0 (ゼロ) V であることをテスターでチェックします。



■ UPDATING (アップデート)

This firmware updating procedure is applied to **DSR112**, **DSR115** and **DSR215**.

CAUTION

Since the calibration data written in the flash ROM is initialized when updating the firmware, using the INFO inspection of diagnostic mode have the calibration values displayed and write them down in advance.

After updating firmware, using the CALIBRATION adjustment inspection input the calibration values which you wrote down.

1. Required Tools

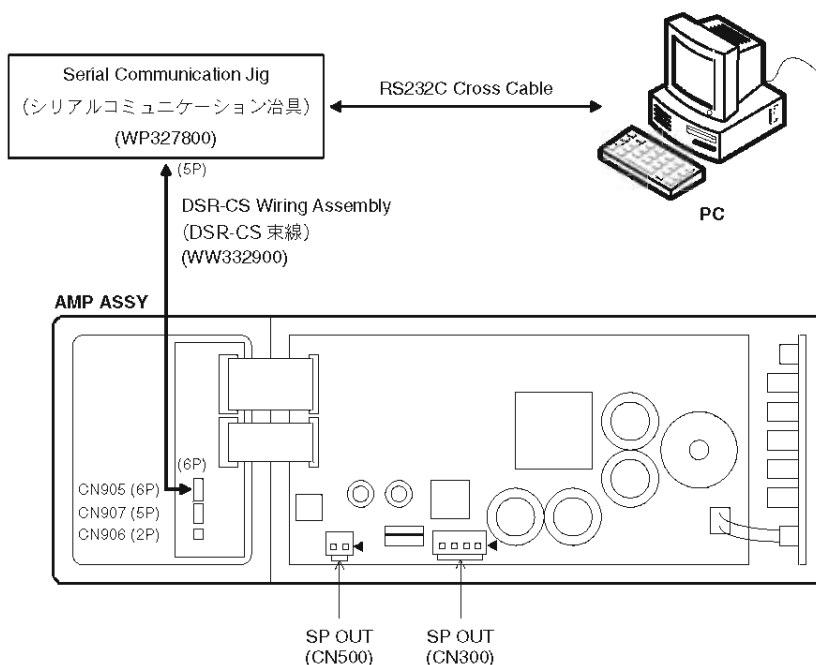
- PC; Windows XP with COM1 (RS-232C) port x 1
- Serial Communication Jig (WP327800) x 1
- DSR-CS Wiring Assembly (WW332900) x 1
- RS-232C Cross Cable x 1

2. Preparation

Download the latest version of application software for updating and firmware from the YSISS homepage and copy them to C drive of personal computer as shown below.
(URL >> <http://plaza.yamaha.co.jp/ysiss/exindex.nsf>)

- Application software for updating
C:\¥DSR¥tools¥Updater¥FlashSta(for DSR).exe
- Firmware
C:\¥DSR¥Firmware¥DSR.mot
C:\¥DSR¥Firmware¥DSR.id

3. Connection



このファームウェアアップデート手順は、DSR112、DSR115、DSR215 に適用されます。

注意

ファームウェアをアップデートするとフラッシュROMに書き込まれたキャリブレーションデータが初期化されるので、あらかじめダイアグモードのINFO検査を使ってキャリブレーション値を表示し、それをメモしてください。

ファームウェアのアップデート後、ダイアグモードのCALIBRATION調整検査を使ってメモしたキャリブレーション値を入力してください。

1. 必要なもの

- COM1 (RS-232C) ポートを搭載した Windows XP パソコン×1
- シリアルコミュニケーション治具 (WP327800) ×1
- DSR-CS 束線 (WW332900) ×1
- RS-232C クロスケーブル×1

2. 準備

YSISS ホームページからアップデート用アプリケーションソフトウェアとファームウェアの最新版をダウンロードし、パソコンのCドライブに下記のようにコピーします。

(URL >> <http://plaza.yamaha.co.jp/ysiss/exindex.nsf>)

- アップデート用アプリケーションソフトウェア
C:\¥DSR¥tools¥Updater¥FlashSta (for DSR) .exe
- ファームウェア
C:\¥DSR¥Firmware¥DSR.mot
C:\¥DSR¥Firmware¥DSR.id

3. 接続

4. Operation procedures

- 4-1 Short circuit between pin 5 (CPU-MODE) and pin 3 (GND) of connector CN907 on the BRG circuit board, and turn on the power switch. The firmware update mode is activated
- * All indicators on the rear panel do not light at this moment
- 4-2 Execute "FlashSta(for DSR) .exe"
- * If error message is displayed, see "5. Error message" on page 69.

4. 操作方法

- 4-1. BRGシートのコネクタCN907の5ピン(CPU-MODE)と3ピン(GND)をショートし、アンプAss'yの電源をオンすると、ファームウェアアップデートモードが起動します。
- ※ このときリアパネルの全てのインジケータは点灯しません。
- 4-2. FlashSta (for DSR) .exeを起動します。
- ※ エラーメッセージが表示されたときは、「5. エラーメッセージ」(69ページ)を参照してください。



- 4-3 Make sure that the baud rate is set to "115200"

- 4-3. Baud rateが"115200"に設定されていることを確認します。

(1) Click "Setting... [S]".

(1) 「Setting... [S]」をクリックします。



- (2) If 115200 is already selected, click "Cancel".
If other than 115200 is selected, select 115200 and click "OK"

- (2) Baud rateが既に"115200"に設定されているときは「Cancel」をクリックします。
Baud rateが"115200"以外に設定されているときは"115200"を選択して「OK」をクリックします。



4.4. Click "F/W Update(W)".

4-4. 「F/W Update (W)」をクリックします。



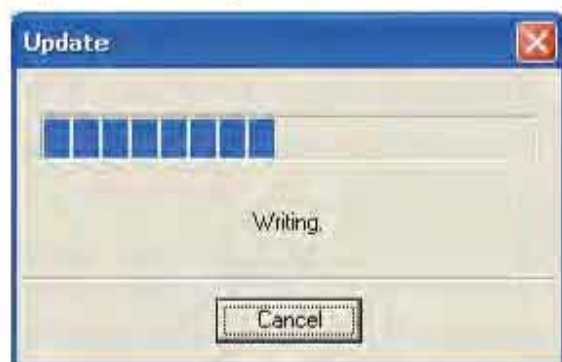
4.5. Click "OK" to start updating.

4-5. 「OK」をクリックしてアップデートを開始します。



In process of writing (書き込み中)

In process of verifying writing (書き込みチェック中)



Writing is completed (書き込み完了)



4.6. Click "OK".
The application ends automatically.

4-6. 「OK」をクリックすると、アプリケーションを自動的に終了します。

- 4.7. Turn off the power switch of AMP UNIT.
 * **When error occurs while writing or writing does not complete although long time has passed, perform the updating procedure again from the beginning.**

- 4-7. AMP UNIT の Power スイッチをオフします。
 ※ 書き込み中にエラーが発生したり、長時間待っても書き込みが完了しないときは、ファームウェアアップデートを最初からやり直してください。

5. Error message

If the following messages are displayed after executing FlashSta(for DSR).exe, error might have occurred.

5. エラーメッセージ

FlashSta (for DSR) .exe を起動後に以下のメッセージが表示される場合は、エラー発生が考えられます。



Problem:

"Update.ini" does not exist in C:\%DSR%\tools\%Updater%.

Countermeasure:

Store "Update.ini" in C:\%DSR%\tools\%Updater%, and restart application.

問題:

C:\%DSR%\tools\%Updater% に Update.ini が存在しない。

対策:

C:\%DSR%\tools\%Updater% に Update.ini を格納した後、アプリケーションを再起動します。



Problem:

"DSR.mot" (Update file) does not exist in file path specified in Update.ini file.

Countermeasure:

Input paths specified in Update.ini file correctly, and restart application.

問題:

Update.ini ファイル内で指定されたファイルパスに DSR.mot (アップデートファイル) が存在しない。

対策:

Update.ini ファイル内で指定されたファイルパスを正しく入力した後、アプリケーションを再起動します。



Problem:

"DSR.id" (ID file) does not exist in file path specified in Update.ini file.

Countermeasure:

Store "DSR.id" (ID file) in path specified in Update.ini file.

問題:

Update.ini ファイル内で指定されたファイルパスに DSR.id (ID ファイル) が存在しない。

対策:

Update.ini ファイル内で指定されたファイルパスに DSR.id (ID ファイル) を格納します。



Problem:

"DSR.mot" (Update file) and "DSR.id" (ID file) are not registered when starting update.

Countermeasure:

Set Update.ini file correctly or select Update file again.

問題:

アップデート開始時に DSR.mot (アップデートファイル) および DSR.id (ID ファイル) が登録されていない。

対策:

Update.ini ファイルを正しく設定するか、アップデートファイルを再選択します。



Problem:

Failed to connect to target.

Countermeasure:

Check the power and connection of the target again.

問題:

ターゲットとの接続に失敗した。

対策:

ターゲットの電源、接続などを再度確認します。

**Problem:**

Assigned COM port does not exist, or it can not opened because in use by other application (e.g. inspection application).

Countermeasure:

Check that COM port assigned in Update.ini file can open properly.

If COM port assigned in Update.ini file does not exist on PC, change to a correct port.

問題:

指定された COM ポートが存在しない、または他のアプリ（例えば検査アプリケーション）で使用中のため開けない。

対策:

ファイル内で指定された COM ポートが正常に開けることを確認します。

Update.ini ファイル内で指定された COM ポートが PC 上に存在しない場合は正しいポートに変更します。

**Problem:**

The target is not firmware update mode.

Countermeasure:

Check that the target is started in firmware update mode.

問題:

ターゲットがファームウェアアップデートモードではない。

対策:

ターゲットがファームウェアアップデートモードで起動されていることを確認します。

POWERED SPEAKER

DSR112/DSR115/DSR215/ DSR118W

PARTS LIST


■ CONTENTS (目次)


OVERALL ASSEMBLY (総組立)	
DSR112	2
DSR115	4
DSR215	6
DSR118W	8
AMP ASSEMBLY (アンプ Ass'y)	10
CNT ASSEMBLY (CNT Ass'y)	12
JIGS (治具)	14
ELECTRICAL PARTS (電気部品)	15

Notes: DESTINATION ABBREVIATIONS

A : Australian model	M : South African model
B : British model	O : Chinese model
C : Canadian model	Q : South-east Asia model
D : German model	T : Taiwan model
E : European model	U : U.S.A. model
F : French model	V : General export model (110V)
H : North European model	W : General export model (220V)
I : Indonesian model	N,X : General export model
J : Japanese model	Y : Export model

■ WARNING (注意)

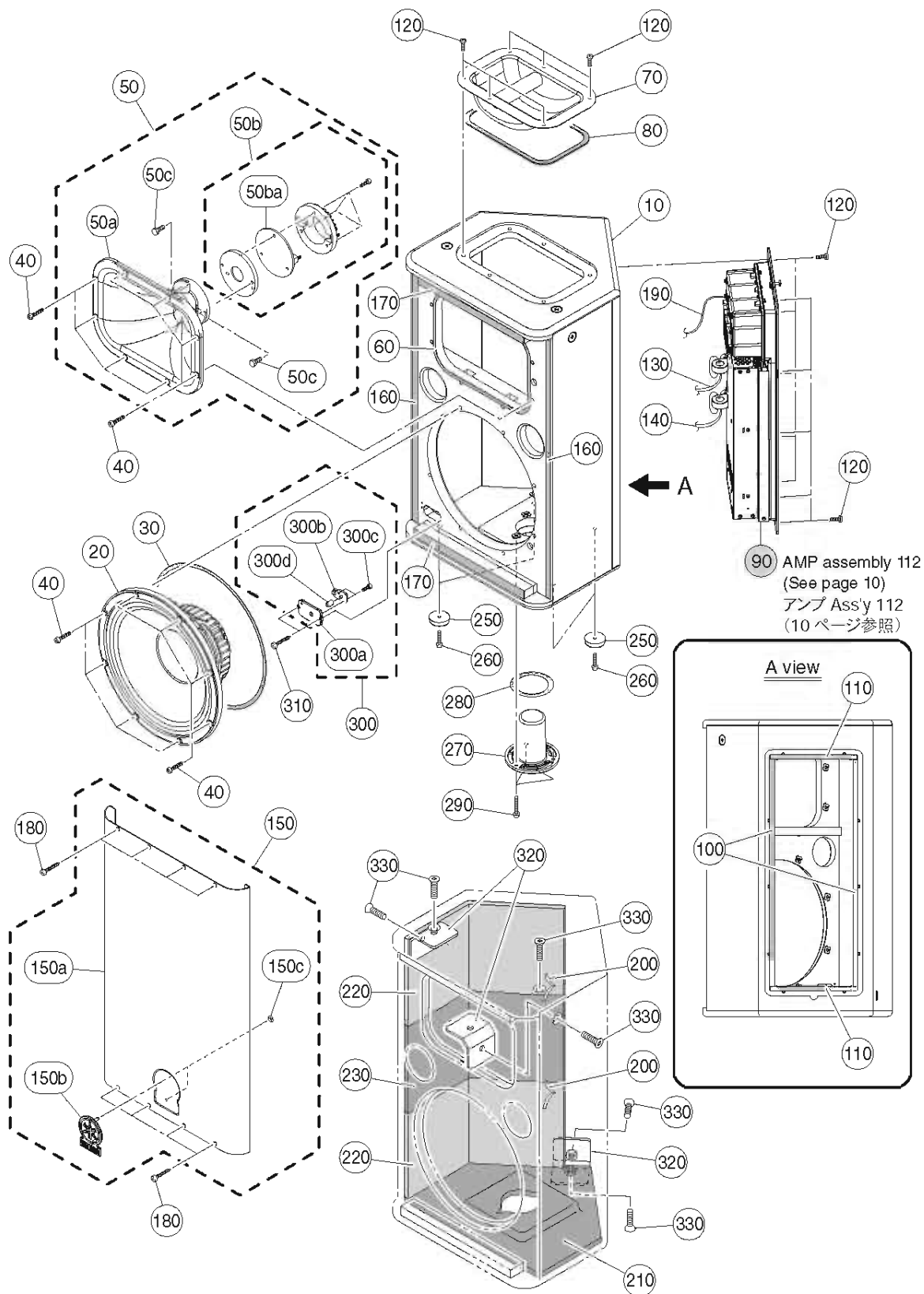
Components having special characteristics are marked  and must be replaced with parts having specification equal to those originally installed.

 印の商品は、安全を維持するために重要な部品です。交換する場合は、安全のために必ず指定の部品をご使用ください。

- The numbers "QTY" show quantities for each unit.
- The parts with "--" in "PART NO." are not available as spare parts.
- This mark "}" in the REMARKS column means these parts are interchangeable.
- The second letter of the shaded (■) part number is O, not zero.
- The second letter of the shaded (■) part number is I, not one.
- 部品価格ランクは、変更になることがあります。
- QTY 欄に記されている数字は、各ユニット当たりの使用個数です。
- PART NO. が "--" の部品は、サービス用部品として準備されておりません。
- REMARKS 欄の "}" マークの部品は、併用部品です。
- 網掛けの付いた PART NO. の 2 番目の文字は「ゼロ」ではなく、「オー」です。
- 網掛けの付いた PART NO. の 2 番目の文字は「イチ」ではなく、「アイ」です。

OVERALL ASSEMBLY (総組立)

DSR112



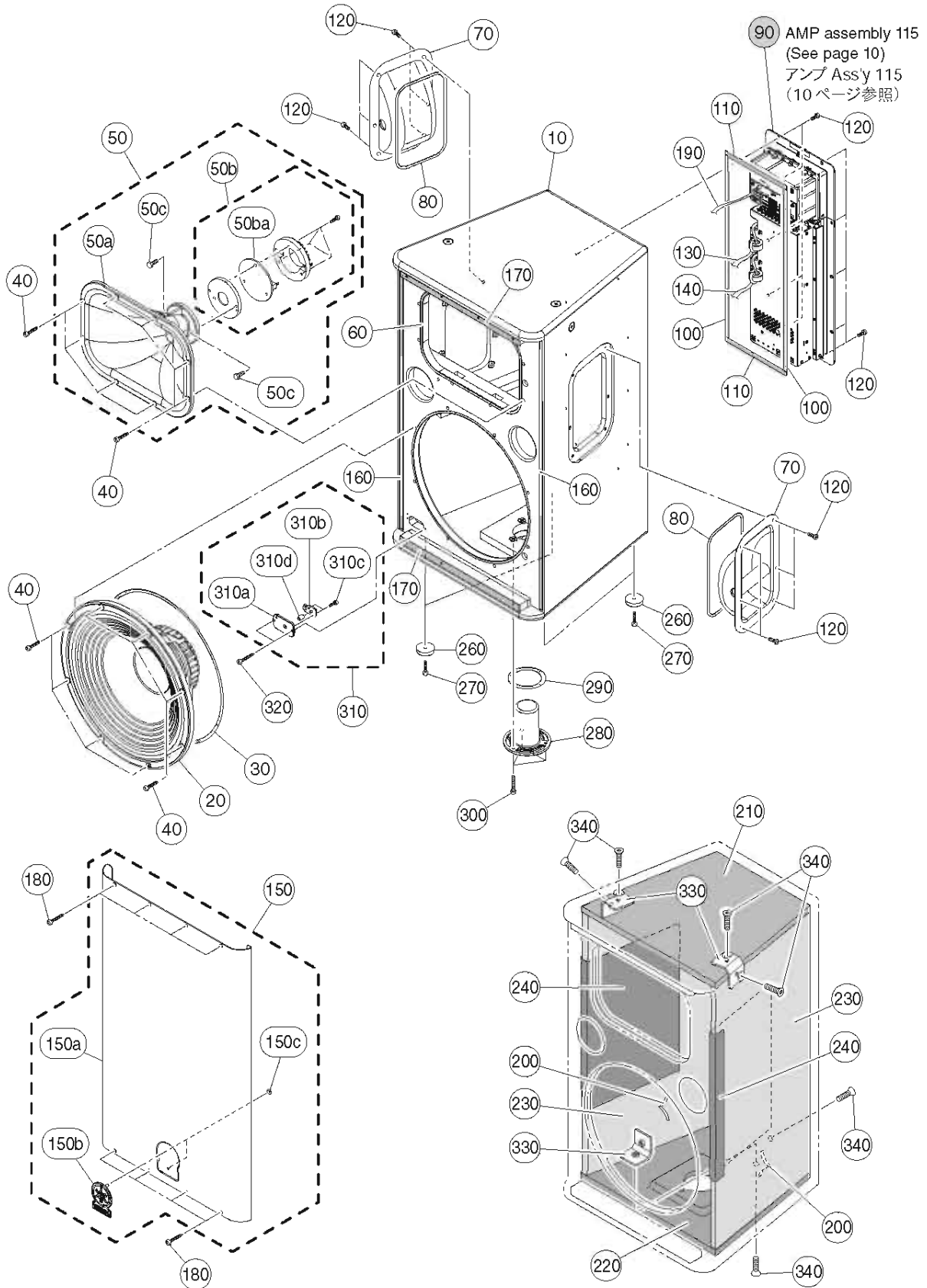
DSR112

REF NO.	PART NO.	DESCRIPTION	部 品 名	REMARKS	QTY	RANK
	--	OVERALL ASSEMBLY	総組立	DSR112		
	--	OVERALL ASSEMBLY	総組立	J (WU17370)		
	--	OVERALL ASSEMBLY	総組立	U,E,B,K,O (WU10360)		
* 10	WU104500	CABINET ASSEMBLY	キャビネット Ass'y			
* 20	YC316A00	SPEAKER	スピーカ	J		
* 20	YC329A00	SPEAKER	スピーカ	U,E,B,K,O		
* 30	WT928900	GASKET	ガスケット			
* 40	WE983700	BIND HEAD SCREW	小ネジ + BIND		16	01
* 50	--	HORN ASSEMBLY	ホーン Ass'y	J (WU17330)		
* 50	--	HORN ASSEMBLY	ホーン Ass'y	U,E,B,K,O (WT92870)		
* 50a	WU266000	HORN	ホーン			
* 50b	YC318A00	SPEAKER	スピーカ	J		
* 50b	YC330A00	SPEAKER	スピーカ	U,E,B,K,O		
* 50ba	WV197600	DIAPHRAGM ASSEMBLY	ダイヤフラム Ass'y			
* 50c	WU103200	HEXAGONAL BOLT	六角ボルト		2	
* 60	WU018300	GASKET	ガスケット			
* 70	WU098500	METAL HANDLE	メタルハンドル			
* 80	WW332500	GASKET	ガスケット		2	
* 90	WT947000	AMP ASSEMBLY 112	アンプ Ass'y 112			
* 100	WW332300	GASKET	ガスケット		2	
* 110	WW332400	GASKET	ガスケット		2	
* 120	WE996400	BIND HEAD SCREW	小ネジ + BIND		16	01
* 130	WU292600	WIRING ASSEMBLY	束線	UL1007 AWG18 OR/BE		
* 140	WU797800	WIRING ASSEMBLY	束線	UL1007 AWG16 BR/BL		
* 150	WU100000	METAL GRILLE ASSEMBLY	メタルグリル Ass'y			
150a	--	METAL GRILLE	メタルグリル			
150b	--	LOGO BADGE ASSEMBLY	ロゴバッジ Ass'y	(WT84140)		
150c	--	PUSH NUT	プッシュナット	(WT94390)	2	
* 160	WU018400	CUSHION	クッション		2	
* 170	WU018500	CUSHION	クッション		2	
* 180	WF883600	OVAL HEAD TAPPING SCREW-1	+丸皿タッピングネジ		8	01
* 190	WU717500	CONNECTOR ASSEMBLY	束線 # 28			
* 200	VU891300	CORD BINDER	ビニタイ黒		2	03
* 210	--	FIBERGLASS	ファイバークラス	(WU10660)		
* 220	--	FIBERGLASS	ファイバークラス	(WU10670)		
* 230	--	PORT CLOTH	ポートクロス	(WU15000)		
* 250	WT810800	RUBBER FOOT	ゴム脚		4	
* 260	WE984100	BIND HEAD SCREW	小ネジ + BIND		4	01
* 270	WT702600	POLE SOCKET	ポールソケット			
* 280	WT944100	CUSHION	クッション			
* 290	WU101100	BIND HEAD SCREW	小ネジ + BIND		3	
* 300	--	LED PANEL ASSEMBLY	LEDパネル Ass'y	(WU10300)		
* 300a	WU668500	LED PANEL SUB ASSEMBLY	LEDパネルサブ Ass'y			
* 300b	WU721100	CIRCUIT BOARD	LEDシート			
* 300c	WF00100R	BIND HEAD TAPPING SCREW-P	Pタイト + BIND		2	01
* 300d	WT859500	LED LENS	LEDレンズ			
* 310	WE97160R	BIND HEAD TAPPING SCREW-1	+バインドTP1種		2	01
* 320	WT810900	INTERNAL BRACKET	インターナル金具		3	
* 330	WU101400	FLAT HEAD SCREW	小ネジ + FLAT		6	
△ *	WU057400	ACCESSORIES	付属品	DSR112		
△ *	WU054500	AC CORD	電源コ	J		
△ *	WU057500	AC CORD	電源コ	U		
△ *	WU054100	AC CORD	電源コ	E,K		
△ *	WU057600	AC CORD	電源コ	B		
△ *			電源コ	O		

* : New Parts

RANK: Japan only

DSR115



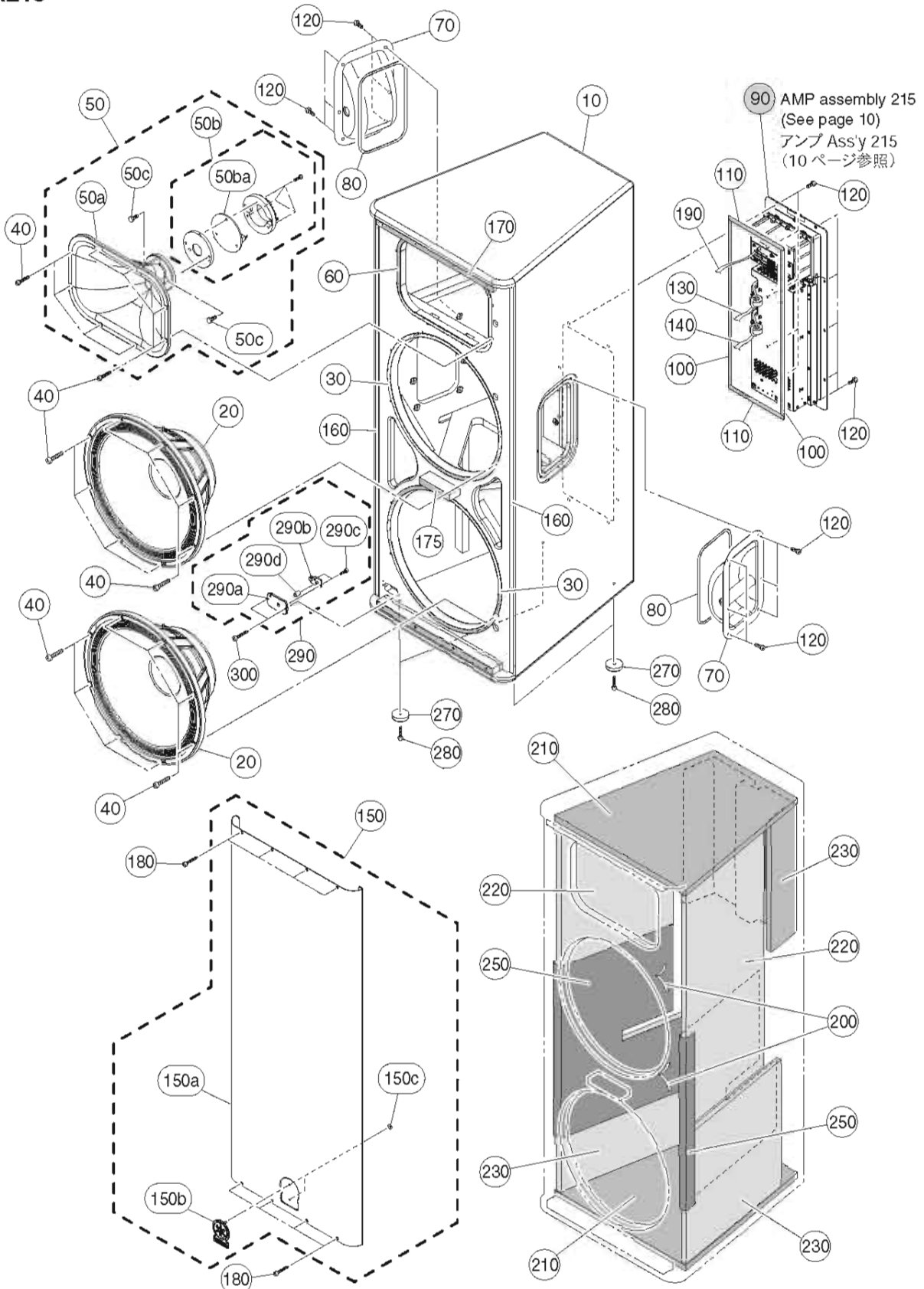
DSR115

REF NO.	PART NO.	DESCRIPTION	部 品 名	REMARKS	QTY	RANK
	--	OVERALL ASSEMBLY	総 組 立	DSR115		
	--	OVERALL ASSEMBLY	総 組 立	J (WU17360)		
	--	OVERALL ASSEMBLY	総 組 立	U,E,B,K,O (WU10350)		
* 10	WU104400	CABINET ASSEMBLY	キャビネット A s s ' y			
* 20	YC315A00	SPEAKER	スピーカ	J		
* 20	YC328A00	SPEAKER	スピーカ	U,E,B,K,O		
* 30	WT929000	GASKET	ガスケット			
* 40	WE983700	BIND HEAD SCREW	小ネジ + B I N D		16	01
* 50	--	HORN ASSEMBLY	ホーン A s s ' y	J (WU09570)		
* 50	--	HORN ASSEMBLY	ホーン A s s ' y	U,E,B,K,O (WU09280)		
* 50a	WU265900	HORN	ホーン			
* 50b	YC318A00	SPEAKER	スピーカ	J		
* 50b	YC330A00	SPEAKER	スピーカ	U,E,B,K,O		
* 50ba	WV197600	DIAPHRAGM ASSEMBLY	ダイヤフラム A s s ' y			
* 50c	WU103200	HEXAGONAL BOLT	六角ボルト		2	
* 60	WT976600	GASKET	ガスケット			
* 70	WU098500	METAL HANDLE	メタルハンドル		2	
* 80	WW332500	GASKET	ガスケット		4	
* 90	WT946900	AMP ASSEMBLY 115	アンプ A s s ' y 115			
* 100	WW332300	GASKET	ガスケット		2	
* 110	WW332400	GASKET	ガスケット		2	
* 120	WE996400	BIND HEAD SCREW	小ネジ + B I N D		22	01
* 130	WU292100	WIRING ASSEMBLY	束線			
* 140	WU292400	WIRING ASSEMBLY	束線			
* 150	WU099900	METAL GRILLE ASSEMBLY	メタルグリル A s s ' y			
150a	--	METAL GRILLE	メタルグリル	(WT84130)		
150b	--	LOGO BADGE ASSEMBLY	ロゴバッジ A s s ' y	(WT95660)		
150c	--	PUSH NUT	プッシュナット	(WT94390)	2	
* 160	WT981200	CUSHION	クッション		2	
* 170	WT981300	CUSHION	クッション		2	
* 180	WF883600	OVAL HEAD TAPPING SCREW-1	3.5x20 MFZN2B3		8	01
* 190	WU717500	CONNECTOR ASSEMBLY	束線 # 2 8			
* 200	VU891300	CORD BINDER	L80		2	03
* 210	--	FIBERGLASS	370x400	ファイバーグラス		
* 220	--	FIBERGLASS	370x400	ファイバーグラス	(WU10040)	
* 230	--	FIBERGLASS	770x360	ファイバーグラス	(WU10080)	2
* 240	--	PORT CLOTH	400x200	ポートクロス	(WU10260)	2
* 260	WT810800	RUBBER FOOT	ゴム脚		4	
* 270	WE984100	BIND HEAD SCREW	小ネジ + B I N D		4	01
* 280	WT702600	POLE SOCKET	ポールソケット			
* 290	WT944100	CUSHION	クッション			
* 300	WU101100	BIND HEAD SCREW	小ネジ + B I N D		3	
* 310	--	LED PANEL ASSEMBLY	LEDパネル A s s ' y	(WU10300)		
* 310a	WU668500	LED PANEL SUB ASSEMBLY	LEDパネルサブ A s s ' y			
* 310b	WU721100	CIRCUIT BOARD	LEDシート			
* 310c	WF00100R	BIND HEAD TAPPING SCREW-P	3x10 MFZN2W3	Pタイト + B I N D	2	01
* 310d	WT859500	LED LENS		LEDレンズ		
* 320	WE97160R	BIND HEAD TAPPING SCREW-1	3.5x20 MFZN2B3	+ バインド T P 1 種	2	01
* 330	WT810900	INTERNAL BRACKET		インターナル金具	3	
* 340	WU101400	FLAT HEAD SCREW	10x30 MFZN2B3	小ネジ + F L A T	6	
△ *	WU057400	ACCESSORIES	付属品			
△ *	WU054500	AC CORD	J VCTF 3x1.25	電源コード J		
△ *	WU057500	AC CORD	U SJT18/3	電源コード U		
△ *	WU054100	AC CORD	H H05VV-F 3x1.00	電源コード E,K		
△ *	WU057600	AC CORD	B H05VV-F 3x1.00	電源コード B		
△ *			RVV300 500 3x1.00	電源コード O		

* : New Parts

RANK: Japan only

DSR215



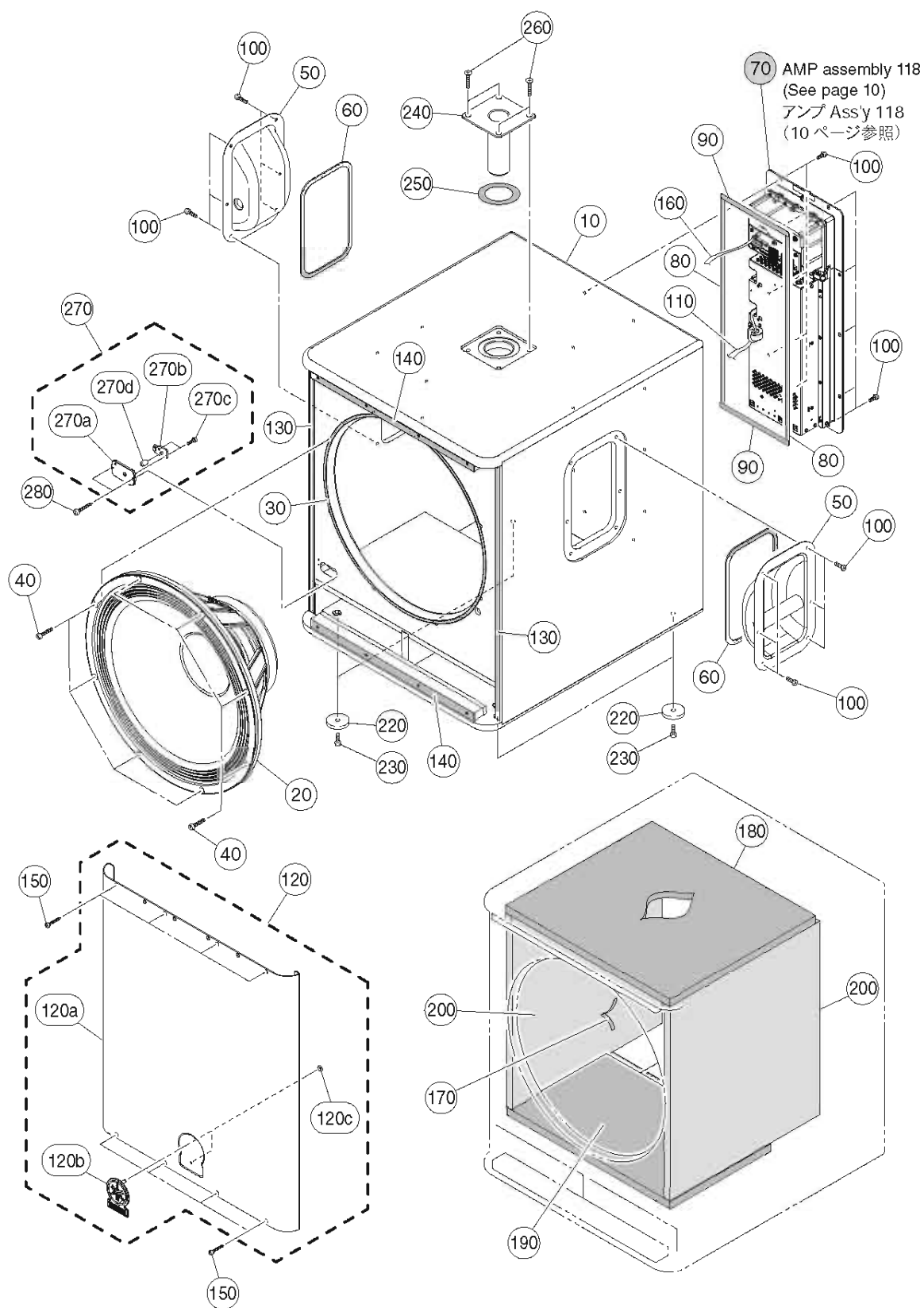
DSR215

REF NO.	PART NO.	DESCRIPTION	部 品 名	REMARKS	QTY	RANK
	--	OVERALL ASSEMBLY	総組立	DSR215		
	--	OVERALL ASSEMBLY	総組立	J (WU17350)		
	--	OVERALL ASSEMBLY	総組立	U,E,B,K,O (WU10340)		
* 10	WU104300	CABINET ASSEMBLY	キャビネット A s s ' y			
20	X8974A00	SPEAKER	スピーカ		2	33
* 30	WT929000	GASKET	ガスケット		2	
40	WE983700	BIND HEAD SCREW	小ネジ + B I N D		24	01
50	--	HORN ASSEMBLY	ホーン A s s ' y	J (WU09570)		
50	--	HORN ASSEMBLY	ホーン A s s ' y	U,E,B,K,O (WU09280)		
* 50a	WU265900	HORN	ホーン			
* 50b	YC318A00	SPEAKER	スピーカ	J		
* 50b	YC330A00	SPEAKER	スピーカ	U,E,B,K,O		
* 50ba	WV197600	DIAPHRAGM ASSEMBLY	ダイアフラム A s s ' y			
* 50c	WU103200	HEXAGONAL BOLT	六角ボルト		2	
60	WT976600	GASKET	ガスケット			
* 70	WU098500	METAL HANDLE	メタルハンドル		2	
* 80	WW332500	GASKET	ガスケット		4	
90	WT946800	AMP ASSEMBLY 215	アンプ A s s ' y 2 1 5			
100	WW332300	GASKET	ガスケット		2	
* 110	WW332400	GASKET	ガスケット		2	
120	WE996400	BIND HEAD SCREW	小ネジ + B I N D		22	01
* 130	WU798000	WIRING ASSEMBLY	束線			
140	WU798100	WIRING ASSEMBLY	束線			
* 150	WU099800	METAL GRILLE ASSEMBLY	メタルグリル A s s ' y			
150a	--	METAL GRILLE	メタルグリル	(WT84120)		
150b	--	LOGO BADGE ASSEMBLY	ロゴバッジ A s s ' y	(WT95660)		
150c	--	PUSH NUT	プッシュナット	(WT94390)	2	
* 160	WU132600	CUSHION	クッション		2	
* 170	WU132700	CUSHION	クッション		2	
* 175	WU509400	CUSHION	クッション		2	
180	WF883600	OVAL HEAD TAPPING SCREW-1	丸皿タッピングネジ		8	01
* 190	WU717500	CONNECTOR ASSEMBLY	束線 # 2 8			
200	VU891300	CORD BINDER	ビニタイ黒		2	03
210	--	FIBERGLASS	ファイバーグラス	(WU13280)	2	
220	--	FIBERGLASS	ファイバーグラス	(WU13290)	2	
230	--	FIBERGLASS	ファイバーグラス	(WU13300)	3	
250	--	PORT CLOTH	ポートクロス	(WU48250)	2	
* 270	WT810800	RUBBER FOOT	ゴム脚		4	
280	WE984100	BIND HEAD SCREW	小ネジ + B I N D		4	01
290	--	LED PANEL ASSEMBLY	LEDパネル A s s ' y	(WU10300)		
* 290a	WU668500	LED PANEL SUB ASSEMBLY	LEDパネルサブ A s s ' y			
* 290b	WU721100	CIRCUIT BOARD	LEDシート			
290c	WF00100R	BIND HEAD TAPPING SCREW-P	Pタイト + B I N D		2	01
* 290d	WT859500	LED LENS	LEDレンズ			
300	WE97160R	BIND HEAD TAPPING SCREW-1	+ バインド T P 1 種		2	01
		ACCESSORIES	付属品			
△ *	WU057400	AC CORD	JVCTF 3x1.25	電源コード J		
△ *	WU054500	AC CORD	U SJT18/3	電源コード U		
△ *	WU057500	AC CORD	H H05VV-F 3x1.00	電源コード E,K		
△ *	WU054100	AC CORD	B H05VV-F 3x1.00	電源コード B		
△ *	WU057600	AC CORD	RVV300 500 3x1.00	電源コード O		

* : New Parts

RANK: Japan only

DSR118W



DSR118W

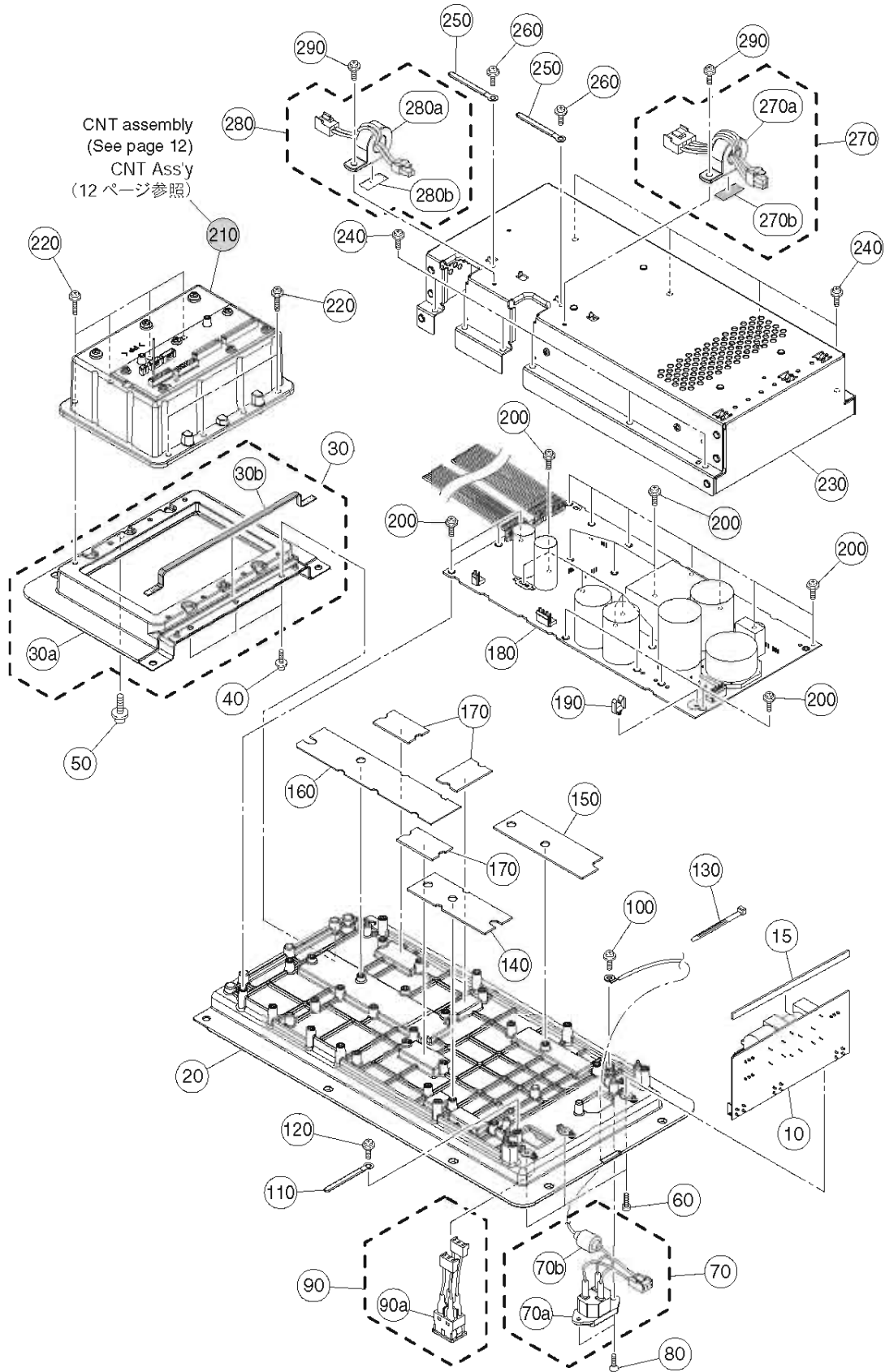
REF NO.	PART NO.	DESCRIPTION	部 品 名	REMARKS	QTY	RANK
		OVERALL ASSEMBLY	総 組 立	DSR118W		
	--	OVERALL ASSEMBLY	総 組 立	(WU10370)		
* 10	WU104600	CABINET ASSEMBLY	キャビネットA s s ' y			
* 20	YC317A00	SPEAKER	スピーカ ー			
* 30	WU152300	GASKET	ガ ス ケ ッ ト			
40	WE983700	BIND HEAD SCREW	小 ネジ + B I N D		8	01
50	WU098500	METAL HANDLE	メ タ ル ハ ン ド ル		2	
* 60	WW332500	GASKET	ガ ス ケ ッ ト		4	
70	WT947100	AMP ASSEMBLY 118	ア ン プ A s s ' y 1 1 8			
* 80	WW332300	GASKET	ガ ス ケ ッ ト		2	
* 90	WW332400	GASKET	ガ ス ケ ッ ト		2	
100	WE996400	BIND HEAD SCREW	小 ネジ + B I N D		22	01
* 110	WU797900	WIRING ASSEMBLY	束 線			
* 120	WU100100	METAL GRILLE ASSEMBLY	メタルグリルA s s ' y			
120a	--	METAL GRILLE	メタルグリル	(WT84150)		
120b	--	LOGO BADGE ASSEMBLY	ロゴバッジA s s ' y	(WT95660)		
120c	--	PUSH NUT	プッシュナット	(WT94390)	2	
* 130	WU018400	CUSHION	クッション		2	
* 140	WU152500	CUSHION	クッション		2	
150	WF883600	OVAL HEAD TAPPING SCREW-1	+ 丸 皿 タ ッ ピ ン グ ネジ		8	01
* 160	WU717500	CONNECTOR ASSEMBLY	束 線 # 2 8			
170	VU891300	CORD BINDER	ビニタイ黒			03
180	--	FIBERGLASS	ファイバークラス	(WU15270)		
190	--	FIBERGLASS	ファイバークラス	(WU15290)		
200	--	FIBERGLASS	ファイバークラス	(WU15310)	2	
* 220	WT810800	RUBBER FOOT	ゴ ム 脚		4	
230	WE984100	BIND HEAD SCREW	小 ネジ + B I N D		4	01
* 240	WS004300	POLE SOCKET	ポ ー ル ソ ケ ッ ト			
* 250	WT944100	CUSHION	クッション			
* 260	WU154500	FLAT HEAD SCREW	小 ネジ + F L A T		4	
270	--	LED PANEL ASSEMBLY	LEDパネルA s s ' y	(WU10300)		
* 270a	WU668500	LED PANEL SUB ASSEMBLY	LEDパネルサブA s s ' y			
* 270b	WU721100	CIRCUIT BOARD	LED シ ー ト			
270c	WF00100R	BIND HEAD TAPPING SCREW-P	P タイ ト + B I N D		2	01
* 270d	WT859500	LED LENS	LED レ ン ズ			
280	WE97160R	BIND HEAD TAPPING SCREW-1	+ バ イ ン ド T P 1 種		2	01
		ACCESSORIES	付 属 品			
△ *	WU057400	AC CORD	J VCTF 3x1.25	電 源 コ ー ド J		
△ *	WU054500	AC CORD	U SJT18/3	電 源 コ ー ド U		
△ *	WU057500	AC CORD	H H05VV-F 3x1.00	電 源 コ ー ド E,K		
△ *	WU054100	AC CORD	B H05VV-F 3x1.00	電 源 コ ー ド B		
△ *	WU057600	AC CORD	RVV300 500 3x1.00	電 源 コ ー ド O		

* : New Parts

RANK: Japan only

AMP ASSEMBLY (アンプ Ass'y)

DSR112/DSR115/DSR215/DSR118W



DSR112/DSR115/DSR215/DSR118W

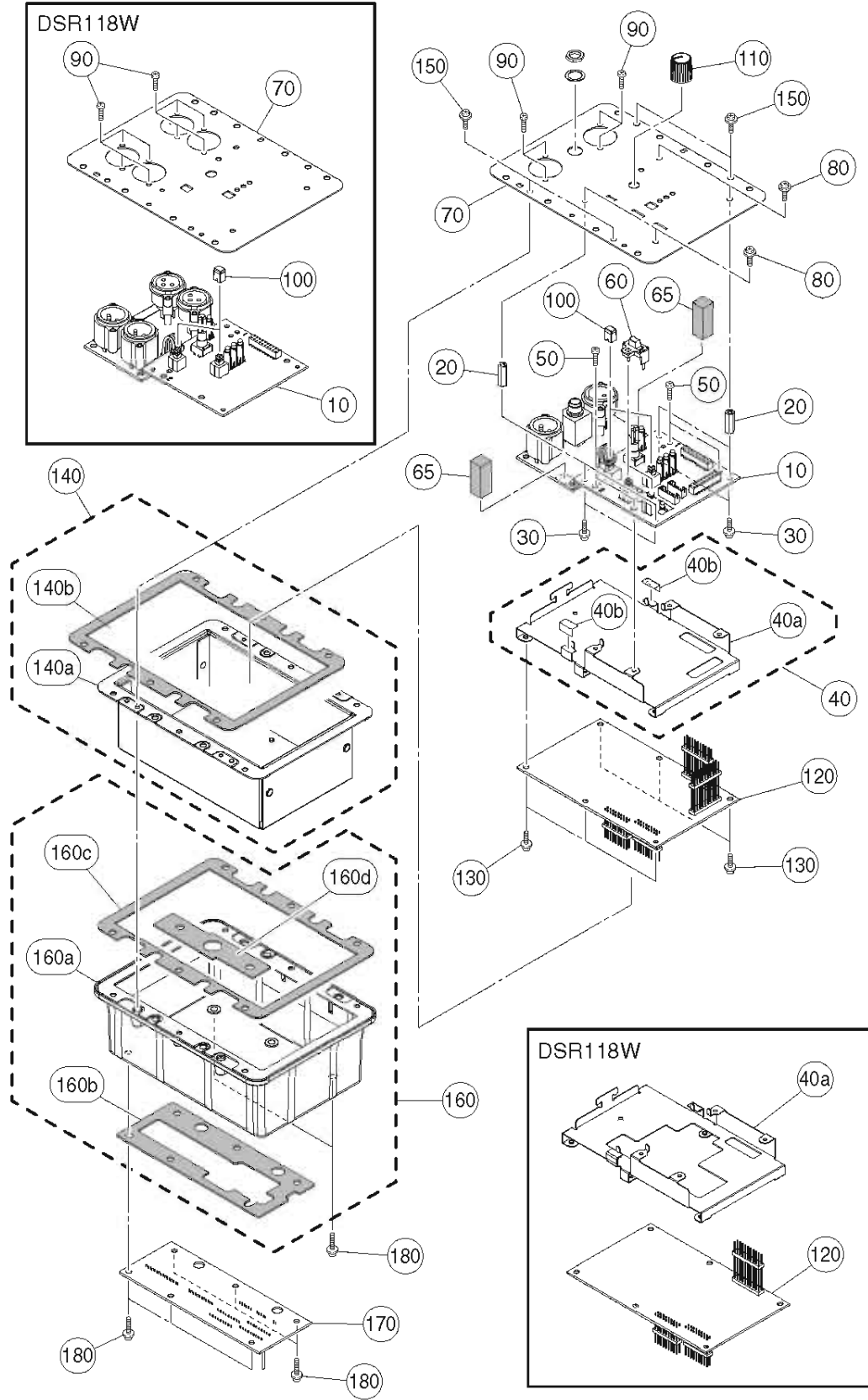
REF NO.	PART NO.	DESCRIPTION	部 品 名	REMARKS	QTY	RANK
	--	AMP ASSEMBLY 112	アンプ Ass'y 112	DSR112 (WT94700)		
	--	AMP ASSEMBLY 115	アンプ Ass'y 115	DSR115 (WT94690)		
	--	AMP ASSEMBLY 215	アンプ Ass'y 215	DSR215 (WT94680)		
	--	AMP ASSEMBLY 118	アンプ Ass'y 118	DSR118W (WT94710)		
* 10	WT871600	CIRCUIT BOARD	ACIN	ACINシート		
* 15	WV354000	NONWOVEN FABRIC CLOTH		不織布		
* 20	WW215200	R PANEL AMPS ASSEMBLY		RパネルAMPS組立		
* 30	WU617400	R PANEL CNT ASSEMBLY		RパネルCNT Ass'y		
30a	--	R PANEL CNT		RパネルCNT (WS58410)		
30b	--	GASKET		ガスケット (WU53810)		
40	WE99710R	BIND HEAD SCREW	4x8 MFZN2B3 IT	小ネジ+BIND	3	01
50	WE996400	BIND HEAD SCREW	5x16 MFZN2B3	小ネジ+BIND		01
60	WE87800R	BONDING TAPPING SCREW-B	3.0X10 MFZN2B3	Bタイト+BOND	3	01
△ * 70	WU065500	CONNECTOR ASSEMBLY	ACINLET	ACINLET束線		
70a	--	AC INLET	LOCK TYPE 094707	ACインレット (WU05320)		
70b	--	FERRITE CORE	X31T 16x15	フェライトコア (WU80790)		
80	WG156300	FLAT HEAD B-TIGHT SCREW	3x10 MFZN2B3	Bタイト+FLAT	2	01
△ * 90	WU065600	CONNECTOR ASSEMBLY	ACSW	ACS束線		
90a	--	ROCKER SWITCH	A8WD-1163 UD TV-8	ロッカスイッチ		
* 100	WE969600	PAN HEAD SCREW	4x8 MFZN2W3 SP	小ネジ+PAN		
110	WD79640R	CORD BINDER	S-72B	束線止め		
120	WE951100	PAN HEAD SCREW	3x8 MFZN2W3	小ネジ+PAN		01
130	V3272800	CORD HOLDER	T18R L100 W2.5	インシュロックタイ		
130	--	CORD HOLDER	T18R L100 W2.5 BLACK	インシュロックタイ		
* 140	WT949300	INSULATION SHEET A		絶縁シートA		
* 150	WT949400	INSULATION SHEET B		絶縁シートB		
* 160	WT949500	INSULATION SHEET C		絶縁シートC		
* 170	WT949600	INSULATION SHEET D		絶縁シートD		
* 180	WT873500	CIRCUIT BOARD	AMPS1	AMPS1シート		
* 180	WT873600	CIRCUIT BOARD	AMPS2	AMPS2シート	DSR112,DSR115,DSR215 DSR118W	
190	VR641100	MINI CLAMP	UAMS-09-0	ミニクランプ		01
200	WE951100	PAN HEAD SCREW	3x8 MFZN2W3	小ネジ+PAN	23	01
210	--	CNT ASSEMBLY 112		CNT Ass'y 112	DSR112 (WT95000)	
210	--	CNT ASSEMBLY 115		CNT Ass'y 115	DSR115 (WT94990)	
210	--	CNT ASSEMBLY 215		CNT Ass'y 215	DSR215 (WT94980)	
210	--	CNT ASSEMBLY 118		CNT Ass'y 118	DSR118W (WT95010)	
* 220	WE877700	BIND HEAD SCREW	3x12 MFZN2W3	小ネジ+BIND	8	01
* 230	WT952200	SHIELD AMPS ASSEMBLY		シールドAMPS Ass'y		
	--	SHIELD	AMPS	シールドAMPS (WT95230)		
	--	SHIELD	ACIN	シールドACIN (WT95240)		
	--	SHIELD	AMP	シールドAMP (WT95250)		
240	WE774301	BIND HEAD TAPPING SCREW-B	3x8 MFZN2W3	Bタイト+BIND	4	01
240	WE951100	PAN HEAD SCREW	3x8 MFZN2W3	小ネジ+PAN	10	01
250	WD79640R	CORD BINDER	S-72B	束線止め	2	
250	WD79640R	CORD BINDER	S-72B	束線止め		
260	WE951100	PAN HEAD SCREW	3x8 MFZN2W3	小ネジ+PAN	2	01
260	WE951100	PAN HEAD SCREW	3x8 MFZN2W3	小ネジ+PAN		01
* 270	WU292000	CONNECTOR ASSEMBLY	AMPSCNC	AMPSCNC束線		
270a	V312290R	DATA LINE FILTER	K1 NFT-13BK2	データラインフィルタ		06
270b	WE70700R	CUSHION	28x10x1	クッション(P.E.)		01
* 280	WU292300	CONNECTOR ASSEMBLY	AMPSCNB	AMPSCNB束線	DSR112,DSR115,DSR215	
280a	V312290R	DATA LINE FILTER	K1 NFT-13BK2	データラインフィルタ	DSR112,DSR115,DSR215	06
280b	WE70700R	CUSHION	28x10x1	クッション(P.E.)	DSR112,DSR115,DSR215	01
290	WE951100	PAN HEAD SCREW	3x8 MFZN2W3	小ネジ+PAN	2	01
290	WE951100	PAN HEAD SCREW	3x8 MFZN2W3	小ネジ+PAN		01

* : New Parts

RANK: Japan only

■ CNT ASSEMBLY (CNT Ass'y)

DSR112/DSR115/DSR215/DSR118W



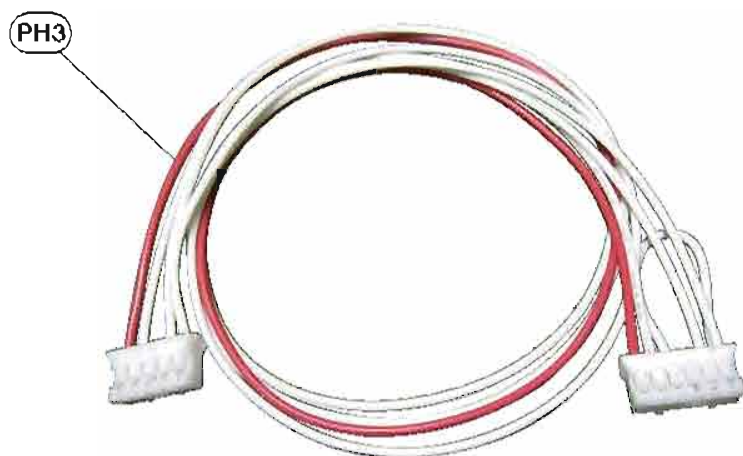
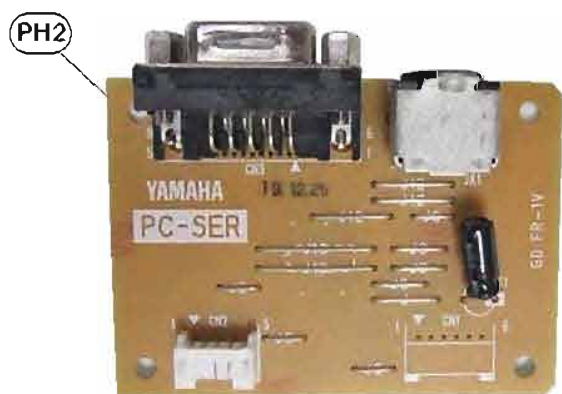
DSR112/DSR115/DSR215/DSR118W

REF NO.	PART NO.	DESCRIPTION	部 品 名	REMARKS	QTY	RANK
	--	CNT ASSEMBLY 112	CNT Ass'y 112	DSR112 (WT95000)		
	--	CNT ASSEMBLY 115	CNT Ass'y 115	DSR115 (WT94990)		
	--	CNT ASSEMBLY 215	CNT Ass'y 215	DSR215 (WT94980)		
	--	CNT ASSEMBLY 118	CNT Ass'y 118	DSR118W (WT95010)		
* 10	WU729400	CIRCUIT BOARD	IN3	IN 3 シ ー ト	DSR112	
* 10	WU729100	CIRCUIT BOARD	IN2	IN 2 シ ー ト	DSR115	
10	WU728900	CIRCUIT BOARD	IN1	IN 1 シ ー ト	DSR215	
* 10	WU729700	CIRCUIT BOARD	IN4	IN 4 シ ー ト	DSR118W	
20	WD93960R	HEXAGONAL SPACER	M3 L=16	6 角 ス ペ ー サ ー		4 01
30	WE951100	PAN HEAD SCREW	3x8 MFZN2W3	小 ネ ジ + P A N		4 01
* 40	WU617600	SHIELD DSP ASSEMBLY		シールドDSP Ass'y	DSR112,DSR115,DSR215	
* 40	WU617900	SHIELD ASP ASSEMBLY		シールドASP Ass'y	DSR118W	
40a	--	SHIELD DSP		シールドDSP	DSR112,DSR115,DSR215 (WT95020)	
40a	--	SHIELD ASP		シールドASP	DSR118W (WT95030)	
40b	--	NONWOVEN FABRIC CLOTH	10x10	不 織 布	(WU60340)	2
50	WE774301	BIND HEAD TAPPING SCREW-B	3x8 MFZN2W3	B タ イ ト + B I N D		4 01
60	WF776700	BUTTON PFL	MILKY/D-GRAY	ボ タ ン P F L	DSR112,DSR115,DSR215	2 01
65	--	CUSHION JK		ク ッ シ ョ ン J K	DSR112,DSR115,DSR215 (WV31040)	2
* 70	WT950600	PANEL CNT		パ ネ ル C N T	DSR112,DSR115,DSR215	
* 70	WT950700	PANEL CNT		パ ネ ル C N T	DSR118W	
* 80	WV360000	PAN HEAD SCREW	3x8 MFZN2B3 SP	小 ネ ジ + P A N		4
90	WE87800R	BONDING TAPPING SCREW-B	3.0X10 MFZN2B3	B タ イ ト + B O N D	DSR112,DSR115,DSR215	4 01
90	WE87800R	BONDING TAPPING SCREW-B	3.0X10 MFZN2B3	B タ イ ト + B O N D	DSR118W	8 01
100	WF776200	BUTTON HPF	D-GRAY/WHITE	ボ タ ン H P F		2 01
110	WH478900	LEVEL KNOB	WHITE/M-GRAY, MG2	L E V E L ノ ブ		01
* 120	WT871400	CIRCUIT BOARD	DSP	D S P シ ー ト	DSR112,DSR115,DSR215	
* 120	WT874100	CIRCUIT BOARD	ASP	A S P シ ー ト	DSR118W	
130	WE774301	BIND HEAD TAPPING SCREW-B	3x8 MFZN2W3	B タ イ ト + B I N D		6 01
* 140	WU618700	SHIELD CNT ASSEMBLY		シールドCNT Ass'y		
140a	--	SHIELD CNT		シールドCNT	(WT95170)	
140b	--	CUSHION CNT		ク ッ シ ョ ン C N T	(WT95210)	
150	WE951100	PAN HEAD SCREW	3x8 MFZN2W3	小 ネ ジ + P A N		4 01
* 160	WT951800	COVER CNT ASSEMBLY		カバーCNT Ass'y		
160a	--	COVER CNT		カ バ ー C N T	(WT95190)	
160b	--	CUSHION BRG		ク ッ シ ョ ン B R G	(WT95200)	
160c	--	CUSHION CNT		ク ッ シ ョ ン C N T	(WT95210)	
160d	--	CUSHION COVER		ク ッ シ ョ ン カ バ ー	(WV33370)	
* 170	WU729500	CIRCUIT BOARD	BRG3	B R G 3 シ ー ト	DSR112	
* 170	WU729300	CIRCUIT BOARD	BRG2	B R G 2 シ ー ト	DSR115	
170	WU729000	CIRCUIT BOARD	BRG1	B R G 1 シ ー ト	DSR215	
* 170	WU729800	CIRCUIT BOARD	BRG4	B R G 4 シ ー ト	DSR118W	
180	WE877700	BIND HEAD SCREW	3x12 MFZN2W3	小 ネ ジ + B I N D		9 01

* : New Parts

RANK: Japan only

■ JIGS (治具)



REF NO	PART NO.	DESCRIPTION	部 品 名	REMARKS	QTY	RANK
		JIGS	治 具			
* PH1	WW175900	EXTENSION BOARD	DSR-CS	D S R - C S 延 長 基 板		18
PH2	WP327800	SERIAL COMMUNICATION JIG		シリアルコミュニケーション治具	DSR112,DSR115,DSR215	
* PH3	WW332900	WIRING ASSEMBLY	DSR-CS 5P-6P	D S R - C S 束 線	DSR112,DSR115,DSR215	

* : New Parts

RANK: Japan only

■ ELECTRICAL PARTS (電気部品)

REF NO.	PART NO.	DESCRIPTION	部 品 名	REMARKS	QTY	RANK
*	WT871600	CIRCUIT BOARD	ACIN	A C I N シ ー ト	(WU72990)(YC305CO)	
*	WT873500	CIRCUIT BOARD	AMPS1	A M P S 1 シ ー ト	DSR112,DSR115,DSR215 (YA924D0)	
*	WT873600	CIRCUIT BOARD	AMPS2	A M P S 2 シ ー ト	DSR118W	
*	WT874100	CIRCUIT BOARD	ASP	A S P シ ー ト	DSR118W (YC025CO)	
*	WU729000	CIRCUIT BOARD	BRG1	B R G 1 シ ー ト	DSR215 (WT87300)(YC022D0)	
*	WU729300	CIRCUIT BOARD	BRG2	B R G 2 シ ー ト	DSR115 (WT87310)(YC022D0)	
*	WU729500	CIRCUIT BOARD	BRG3	B R G 3 シ ー ト	DSR112 (WT87320)(YC022D0)	
*	WU728900	CIRCUIT BOARD	IN1	I N 1 シ ー ト	DSR215 (WT87300)(YC022D0)	
*	WU729100	CIRCUIT BOARD	IN2	I N 2 シ ー ト	DSR115 (WT87310)(YC022D0)	
*	WU729400	CIRCUIT BOARD	IN3	I N 3 シ ー ト	DSR112 (WT87320)(YC022D0)	
*	WU729800	CIRCUIT BOARD	BRG4	B R G 4 シ ー ト	DSR118W (WT87330)(YC024D0)	
*	WU729700	CIRCUIT BOARD	IN4	I N 4 シ ー ト	DSR118W (WT87330)(YC024D0)	
*	WT871400	CIRCUIT BOARD	DSP	D S P シ ー ト	DSR112,DSR115,DSR215 (YC023D0)	
*	WU721100	CIRCUIT BOARD	LED	L E D シ ー ト	(WT87150)(YC301B0)	
*	WT871600	CIRCUIT BOARD	ACIN	A C I N シ ー ト	(WU72990)(YC305CO)	
*	WU075200	CONNECTOR ASSEMBLY	ACPS	A C P S 束 線		
*	WN103000	FUSE HOLDER R	CLIP TP00351-31	ヒ ュ ー ス ク リ ッ プ		01
△	C801	V9365100	CAPACITOR	1.0uF 275V	規 格 認 定 コ ン	03
△	C802	WK463700	CAPACITOR	2200pF 250V	規 格 認 定 コ ン K Y	01
△	C803	WK463700	CAPACITOR	2200pF 250V	規 格 認 定 コ ン K Y	01
△	C804	V9365100	CAPACITOR	1.0uF 275V	規 格 認 定 コ ン	03
△	C805	WK463600	CAPACITOR	1000pF 250V	規 格 認 定 コ ン K Y	01
△	C806	WK463600	CAPACITOR	1000pF 250V	規 格 認 定 コ ン K Y	01
△	C808	WK463600	CAPACITOR	1000pF 250V	規 格 認 定 コ ン K Y	01
△	C809	WK463600	CAPACITOR	1000pF 250V	規 格 認 定 コ ン K Y	01
△	CN803	LB93203R	CONNECTOR, BASE POST	VH 3P TE	ベ ー ス ポ ス ト	01
△	CN804	LB93203R	CONNECTOR, BASE POST	VH 3P TE	ベ ー ス ポ ス ト	01
△	CN805	WU832000	CONNECTOR	VH BK 3P	ベ ー ス ポ ス ト	
△	F801	VT94320R	FUSE	TH 5.0A S 250V	ヒ ュ ー ス	01
△	K801	WE679300	TERMINAL PLATE	B88	タ ー ミ ナ ル 金 具	
△	-803	WE679300	TERMINAL PLATE	B88	タ ー ミ ナ ル 金 具	
△	L801	WU778900	COIL	T20X10X10/04/14.0/	コ イ ル	
△	L802	WU778900	COIL	T20X10X10/04/14.0/	コ イ ル	
△	R801	HF058220	CARBON RESISTOR	220K 1/4W J	カ ー ボ ン 抵 抗	
△	-804	HF058220	CARBON RESISTOR	220K 1/4W J	カ ー ボ ン 抵 抗	
*	WT873500	CIRCUIT BOARD	AMPS1	A M P S 1 シ ー ト	DSR112,DSR115,DSR215 (YA924D0)	
	--	WIRE HARNESS	SMV2J P=2.0 12-130	ジャンパーリード	(WU08430)	
	--	WIRE HARNESS	SMV2J P=2.0 16-130	ジャンパーリード	(WU08440)	
C101	US064100	CERAMIC CAPACITOR-B (CHIP)	0.01uF 50V K	チップセラ (B)		01
C102	US063100	CERAMIC CAPACITOR-B (CHIP)	1000pF 50V K	チップセラ (B)		01
C103	US063100	CERAMIC CAPACITOR-B (CHIP)	1000pF 50V K	チップセラ (B)		01
C104	US064100	CERAMIC CAPACITOR-B (CHIP)	0.01uF 50V K	チップセラ (B)		01
* C105	WT855600	POLYPROPYLEN CAPCITOR	0.47uF 450V J	P P コ ン		
C106	WJ590700	CERAMIC CAPACITOR (CHIP)	0.47uF 16V K	チップセラ		
C107	US044220	CERAMIC CAPACITOR-B (CHIP)	0.022uF 25V K	チップセラ (B)		01
C108	US035100	CERAMIC CAPACITOR-B (CHIP)	0.1uF 16V K	チップセラ (B)		01
C109	US035100	CERAMIC CAPACITOR-B (CHIP)	0.1uF 16V K	チップセラ (B)		01
C110	US063100	CERAMIC CAPACITOR-B (CHIP)	1000pF 50V K	チップセラ (B)		01
C111	US062270	CERAMIC CAPACITOR (CHIP)	270pF 50V J	チップセラ (S L)		01
C112	US062220	CERAMIC CAPACITOR-SL(CHIP)	220pF 50V J	チップセラ (S L)		01
C113	US064100	CERAMIC CAPACITOR-B (CHIP)	0.01uF 50V K	チップセラ (B)		01
* C114	WU620800	ELECTROLYTIC CAPACITOR (CHIP)	150uF 16V	チップケミコン U D		
C115	US064100	CERAMIC CAPACITOR-B (CHIP)	0.01uF 50V K	チップセラ (B)		01
C116	US035100	CERAMIC CAPACITOR-B (CHIP)	0.1uF 16V K	チップセラ (B)		01
C117	WB80120R	ELECTROLYTIC CAPACITOR (CHIP)	100uF 6.3V	チップケミコン		01
* C118	WR646200	ELECTROLYTIC CAPACITOR	330uF 420V	ケ ミ コ ン		
* C119	WR646200	ELECTROLYTIC CAPACITOR	330uF 420V	ケ ミ コ ン		
C120	US064100	CERAMIC CAPACITOR-B (CHIP)	0.01uF 50V K	チップセラ (B)		01
C121	WG251600	CERAMIC CAPACITOR (CHIP)	4.7uF 6.3V K	チップセラ		01
C122	WG969400	MONOLITHIC CERAMIC CAP.	10uF 6.3V K	チップ積層セラコン		01
C123	WB577800	POLYESTER FILM CAP.(CHIP)	470pF 16V G	チップマイラー		01
C124	US062470	CERAMIC CAPACITOR-SL(CHIP)	470pF 50V J	チップセラ (S L)		01
* C125	WG427500	MONOLITHIC CERAMIC CAP(CHIP)	0.15uF 25V B	チップ積層セラコン		
* C126	WG427500	MONOLITHIC CERAMIC CAP(CHIP)	0.15uF 25V B	チップ積層セラコン		
* C127	WN422300	ELECTROLYTIC CAPACITOR (CHIP)	47uF 35V	チップケミコン U D		01

* : New Parts

RANK: Japan only

AMPS1

REF NO.	PART NO.	DESCRIPTION	部 品 名	REMARKS	QTY	RANK
C128	US064100	CERAMIC CAPACITOR-B (CHIP)	0.01uF 50V K	チップセラ (B)		01
C129	US046100	CERAMIC CAPACITOR-B (CHIP)	1.0uF 25V K	チップセラ (B)		01
C130	US034470	CERAMIC CAPACITOR-B (CHIP)	0.047uF 16V K	チップセラ (B)		01
C131	US034470	CERAMIC CAPACITOR-B (CHIP)	0.047uF 16V K	チップセラ (B)		01
C132	V7658000	MONOLITHIC CERAMIC CAP(CHIP)	1000pF 2KV K	チップ積層セラコン		01
C133	WJ918800	ELECTROLYTIC CAPACITOR (CHIP)	100uF 35V	チップケミコン		01
* C134	WT855700	POLYPROPYLEN CAPCITOR	0.039uF 1000V H	P P コ ン		
* C135	WT855700	POLYPROPYLEN CAPCITOR	0.039uF 1000V H	P P コ ン		
C137	WN422500	ELECTROLYTIC CAPACITOR (CHIP)	22uF 50V	チップケミコンUD		01
C138	WC37000R	ELECTROLYTIC CAPACITOR (CHIP)	220uF 35V	チップケミコン		01
C139	WC37000R	ELECTROLYTIC CAPACITOR (CHIP)	220uF 35V	チップケミコン		01
C140	US035100	CERAMIC CAPACITOR-B (CHIP)	0.1uF 16V K	チップセラ (B)		01
* C141	WR648800	ELECTROLYTIC CAPACITOR	2200uF 100V	ケ ミ コ ン		
* C142	WR648800	ELECTROLYTIC CAPACITOR	2200uF 100V	ケ ミ コ ン		
C143	WN422500	ELECTROLYTIC CAPACITOR (CHIP)	22uF 50V	チップケミコンUD		01
C144	WN422300	ELECTROLYTIC CAPACITOR (CHIP)	47uF 35V	チップケミコンUD		01
C145	WN422300	ELECTROLYTIC CAPACITOR (CHIP)	47uF 35V	チップケミコンUD		01
C146	WU447000	CERAMIC CAPACITOR (CHIP)	0.1uF 50V K	チップセラ (B)		01
C147	US062220	CERAMIC CAPACITOR-SL(CHIP)	220pF 50V J	チップセラ (S L)		01
C148	US062220	CERAMIC CAPACITOR-SL(CHIP)	220pF 50V J	チップセラ (S L)		01
C149	VR168300	MONOLITHIC MYLAR CAPACITOR	0.1uF 50V	積層マイラーコン		01
C150	US046100	CERAMIC CAPACITOR-B (CHIP)	1.0uF 25V K	チップセラ (B)		01
C151	WN422300	ELECTROLYTIC CAPACITOR (CHIP)	47uF 35V	チップケミコンUD		01
C152	US062220	CERAMIC CAPACITOR-SL(CHIP)	220pF 50V J	チップセラ (S L)		01
C154	US064100	CERAMIC CAPACITOR-B (CHIP)	0.01uF 50V K	チップセラ (B)		01
C155	US064100	CERAMIC CAPACITOR-B (CHIP)	0.01uF 50V K	チップセラ (B)		01
C161	US063150	CERAMIC CAPACITOR-B (CHIP)	1500pF 50V K	チップセラ (B)		01
C162	US035100	CERAMIC CAPACITOR-B (CHIP)	0.1uF 16V K	チップセラ (B)		01
C163	US064100	CERAMIC CAPACITOR-B (CHIP)	0.01uF 50V K	チップセラ (B)		01
C164	US046100	CERAMIC CAPACITOR-B (CHIP)	1.0uF 25V K	チップセラ (B)		01
C165	US064100	CERAMIC CAPACITOR-B (CHIP)	0.01uF 50V K	チップセラ (B)		01
C166	US035100	CERAMIC CAPACITOR-B (CHIP)	0.1uF 16V K	チップセラ (B)		01
C170	US062100	CERAMIC CAPASITOR-SL (CHIP)	100pF 50V J	チップセラ (S L)		01
C306	V8085400	CERAMIC CAPACITOR-B (CHIP)	0.1uF 25V K	チップセラ (B)		01
C307	WB57570R	POLYESTER FILM CAP (CHIP)	3900pF 50V J	チップマイラー		01
C308	WB57570R	POLYESTER FILM CAP (CHIP)	3900pF 50V J	チップマイラー		01
C309	WB581900	MYLAR CAPACITOR (CHIP)	1000pF 50V G	チップマイラー		01
C310	WB581900	MYLAR CAPACITOR (CHIP)	1000pF 50V G	チップマイラー		01
* C311	US046100	CERAMIC CAPACITOR-B (CHIP)	1.0uF 25V K	チップセラ (B)		01
* C312	WN349000	POLYESTER FILM CAPACITOR	330pF 100V J	マイラーコン		
C313	WB57440R	POLYESTER FILM CAP (CHIP)	330pF 50V J	チップマイラー		01
C314	VZ420800	MONOLITHIC CERAMIC CAP(CHIP)	0.1uF 100V K	チップ積層セラコン		01
C315	VZ420800	MONOLITHIC CERAMIC CAP(CHIP)	0.1uF 100V K	チップ積層セラコン		01
* C316	WV038200	ELECTROLYTIC CAPACITOR	22uF 100V	チップケミコン		
* C316	WV039500	ELECTROLYTIC CAPACITOR	22uF 100V	チップケミコン		
* C317	WV038200	ELECTROLYTIC CAPACITOR	22uF 100V	チップケミコン		
* C317	WV039500	ELECTROLYTIC CAPACITOR	22uF 100V	チップケミコン		
C318	VE326800	MONOLITHIC MYLAR CAPACITOR	0.47uF 50V J	積層マイラーコン		01
C318	VR169200	MONOLITHIC MYLAR CAPACITOR	0.47uF 50V J	積層マイラーコン		01
C319	VE326800	MONOLITHIC MYLAR CAPACITOR	0.47uF 50V J	積層マイラーコン		01
C319	VR169200	MONOLITHIC MYLAR CAPACITOR	0.47uF 50V J	積層マイラーコン		01
C320	WF20450R	ELECTROLYTIC CAPACITOR	220uF 25V	ケ ミ コ ン		01
C321	WF20450R	ELECTROLYTIC CAPACITOR	220uF 25V	ケ ミ コ ン		01
C322	VE326800	MONOLITHIC MYLAR CAPACITOR	0.47uF 50V J	積層マイラーコン		01
C322	VR169200	MONOLITHIC MYLAR CAPACITOR	0.47uF 50V J	積層マイラーコン		01
C323	UR838100	ELECTROLYTIC CAPACITOR	100uF 16V	ケ ミ コ ン		01
C324	US035100	CERAMIC CAPACITOR-B (CHIP)	0.1uF 16V K	チップセラ (B)		01
C325	US035100	CERAMIC CAPACITOR-B (CHIP)	0.1uF 16V K	チップセラ (B)		01
C326	UR838100	ELECTROLYTIC CAPACITOR	100uF 16V	ケ ミ コ ン		01
C327	VZ420800	MONOLITHIC CERAMIC CAP(CHIP)	0.1uF 100V K	チップ積層セラコン		01
C328	WJ592700	MONOLITHIC CERAMIC CAP.	100pF 250V J	チップ積層セラコン		01
C329	WJ592700	MONOLITHIC CERAMIC CAP.	100pF 250V J	チップ積層セラコン		01
C330	VZ420800	MONOLITHIC CERAMIC CAP(CHIP)	0.1uF 100V K	チップ積層セラコン		01
-332	VZ420800	MONOLITHIC CERAMIC CAP(CHIP)	0.1uF 100V K	チップ積層セラコン		01
* C333	WT879400	POLYESTER FILM CAPACITOR	1.2uF 250V J	マイラーコン		
* C333	WV975000	POLYPROPYLEN CAPACITOR	1.2uF 250V J	P P コ ン		
* C333	WV975400	POLYPROPYLEN CAPACITOR	1.2uF 250V J	P P コ ン		
* C334	WS106400	POLYESTER FILM CAPACITOR	0.56uF 100V J	マイラーコン		
* C334	WV975300	POLYESTER FILM CAPACITOR	0.56uF 100V J	マイラーコン		
* C335	WS106400	POLYESTER FILM CAPACITOR	0.56uF 100V J	マイラーコン		

* : New Parts

RANK: Japan only

AMPS1

REF NO.	PART NO.	DESCRIPTION		部 品 名	REMARKS	QTY	RANK
* C335	WV975300	POLYESTER FILM CAPACITOR	0.56uF 100V J	マイラーコン			
C338	US064100	CERAMIC CAPACITOR-B (CHIP)	0.01uF 50V K	チップセラ(B)			
C339	US064100	CERAMIC CAPACITOR-B (CHIP)	0.01uF 50V K	チップセラ(B)			01
C340	WP371500	ELECTROLYTIC CAPACITOR (CHIP)	560uF 100V	ケミコン			03
C341	WP371500	ELECTROLYTIC CAPACITOR (CHIP)	560uF 100V	ケミコン			03
* C352	WU839400	CERAMIC CAPACITOR (CHIP)	1800pF 50V J	チップセラ			01
C353	US063100	CERAMIC CAPACITOR-B (CHIP)	1000pF 50V K	チップセラ(B)			
* C354	WU839500	CERAMIC CAPACITOR (CHIP)	2200pF 50V J	チップセラ			01
* C355	WU839300	CERAMIC CAPACITOR (CHIP)	330pF 50V J	チップセラ			
C357	WM448700	ELECTROLYTIC CAPACITOR	47uF 35V	ケミコン P W			
C358	V8085400	CERAMIC CAPACITOR-B (CHIP)	0.1uF 25V K	チップセラ(B)			01
C360	US061220	CERAMIC CAPACITOR-CH(CHIP)	22pF 50V J	チップセラ(CH)			01
C361	WP371500	ELECTROLYTIC CAPACITOR (CHIP)	560uF 100V	ケミコン			03
C362	WP371500	ELECTROLYTIC CAPACITOR (CHIP)	560uF 100V	ケミコン			03
C504	WB57570R	POLYESTER FILM CAP. (CHIP)	3900pF 50V J	チップマイラー			01
C505	WB57570R	POLYESTER FILM CAP. (CHIP)	3900pF 50V J	チップマイラー			01
C506	WB581900	MYLAR CAPACITOR (CHIP)	1000pF 50V G	チップマイラー			01
C507	WB581900	MYLAR CAPACITOR (CHIP)	1000pF 50V G	チップマイラー			01
* C508	WN349000	POLYESTER FILM CAPACITOR	330pF 100V J	マイラーコン			01
C509	WB57440R	POLYESTER FILM CAP. (CHIP)	330pF 50V J	チップマイラー			
C510	VZ420800	MONOLITHIC CERAMIC CAP(CHIP)	0.1uF 100V K	チップ積層セラコン			01
C511	VZ420800	MONOLITHIC CERAMIC CAP(CHIP)	0.1uF 100V K	チップ積層セラコン			01
* C512	WV038200	ELECTROLYTIC CAPACITOR	22uF 100V	チップケミコン			
* C512	WV039500	ELECTROLYTIC CAPACITOR	22uF 100V	チップケミコン			
* C513	WV039500	ELECTROLYTIC CAPACITOR	22uF 100V	チップケミコン			
* C513	WV038200	ELECTROLYTIC CAPACITOR	22uF 100V	チップケミコン			
C514	VE326800	MONOLITHIC MYLAR CAPACITOR	0.47uF 50V J	積層マイラーコン			01
C514	VR169200	MONOLITHIC MYLAR CAPACITOR	0.47uF 50V J	積層マイラーコン			
C515	VE326800	MONOLITHIC MYLAR CAPACITOR	0.47uF 50V J	積層マイラーコン			01
C515	VR169200	MONOLITHIC MYLAR CAPACITOR	0.47uF 50V J	積層マイラーコン			01
C517	WF20450R	ELECTROLYTIC CAPACITOR	220uF 25V	ケミコン			01
C518	VE326800	MONOLITHIC MYLAR CAPACITOR	0.47uF 50V J	積層マイラーコン			01
C518	VR169200	MONOLITHIC MYLAR CAPACITOR	0.47uF 50V J	積層マイラーコン			
C519	UR838100	ELECTROLYTIC CAPACITOR	100uF 16V	ケミコン			01
C520	US035100	CERAMIC CAPACITOR-B (CHIP)	0.1uF 16V K	チップセラ(B)			01
C521	US035100	CERAMIC CAPACITOR-B (CHIP)	0.1uF 16V K	チップセラ(B)			01
C522	UR838100	ELECTROLYTIC CAPACITOR	100uF 16V	ケミコン			01
C523	WJ592700	MONOLITHIC CERAMIC CAP.	100pF 250V J	チップ積層セラコン			01
C524	WJ592700	MONOLITHIC CERAMIC CAP.	100pF 250V J	チップ積層セラコン			01
C525	VZ420800	MONOLITHIC CERAMIC CAP(CHIP)	0.1uF 100V K	チップ積層セラコン			01
C526	VZ420800	MONOLITHIC CERAMIC CAP(CHIP)	0.1uF 100V K	チップ積層セラコン			01
* C527	WN349200	POLYESTER FILM CAPACITOR	12uF 250V J	マイラーコン			
* C527	WV975000	POLYPROPYLEN CAPACITOR	12uF 250V J	P P コン			
* C527	WV975400	POLYPROPYLEN CAPACITOR	12uF 250V J	P P コン			
* C528	WS106400	POLYESTER FILM CAPACITOR	0.56uF 100V J	マイラーコン			
* C528	WV975300	POLYESTER FILM CAPACITOR	0.56uF 100V J	マイラーコン			
* C529	WS106400	POLYESTER FILM CAPACITOR	0.56uF 100V J	マイラーコン			
* C529	WV975300	POLYESTER FILM CAPACITOR	0.56uF 100V J	マイラーコン			
C532	US064100	CERAMIC CAPACITOR-B (CHIP)	0.01uF 50V K	チップセラ(B)			01
C533	US064100	CERAMIC CAPACITOR-B (CHIP)	0.01uF 50V K	チップセラ(B)			01
C701	UR857470	ELECTROLYTIC CAPACITOR	47uF 35V	ケミコン			01
-704	UR857470	ELECTROLYTIC CAPACITOR	47uF 35V	ケミコン			01
C705	US034470	CERAMIC CAPACITOR-B (CHIP)	0.047uF 16V K	チップセラ(B)			01
C708	US035100	CERAMIC CAPACITOR-B (CHIP)	0.1uF 16V K	チップセラ(B)			01
C709	UR848220	ELECTROLYTIC CAPACITOR	220uF 25V	ケミコン			01
C715	UR867100	ELECTROLYTIC CAPACITOR	10uF 50V	ケミコン			01
C716	UR867100	ELECTROLYTIC CAPACITOR	10uF 50V	ケミコン			01
△ CN101	LB93204R	CONNECTOR BASE POST	VH 4P TE	コネクタ-ベースポスト			01
CN102	VB38980R	CONNECTOR, BASE POST	PH 2P TE	ベースポスト			01
CN103	VB38980R	CONNECTOR, BASE POST	PH 2P TE	ベースポスト			01
CN104	VB38990R	CONNECTOR, BASE POST	PH 3P TE	ベースポスト			01
CN300	LB93204R	CONNECTOR BASE POST	VH 4P TE	コネクタ-ベースポスト			01
CN500	LB932020	BASE POST	VH 2P TE	ベースポスト	J,H,B		01
CN701	V187940R	CABLE HOLDER	51048 16P TE	ケーブルホルダー			01
CN702	V1879000	CABLE HOLDER	12P TE 51048	ケーブルホルダー			01
△ D101	V2261600	DIODE BRIDGE	RBV-1306 13A 00	ダイオードブリッ			04
D102	VT332900	DIODE	1SS355 TE-17	ダイオード			01
D103	VT332900	DIODE	1SS355 TE-17	ダイオード			01
* D106	WT856600	DIODE	M3F60-5063	ダイオード			
* D107	WR542900	DIODE	YG982S6R SUTO	ダイオード			

* : New Parts

RANK: Japan only

AMPS1

REF NO.	PART NO.	DESCRIPTION	部 品 名	REMARKS	QTY	RANK
D108	WJ459300	DIODE	D1FK60-5063	ダイオード		01
D109	WJ459300	DIODE	D1FK60-5063	ダイオード		01
D110	VV463000	DIODE (CHIP)	1.1A 200V D1FL20U	チップダイオード		01
D111	VV463000	DIODE (CHIP)	1.1A 200V D1FL20U	チップダイオード		01
D112	VS59760R	DIODE (CHIP)	RB160L-40 TE25	チップダイオード		01
D113	VV463000	DIODE (CHIP)	1.1A 200V D1FL20U	チップダイオード		01
-116	VV463000	DIODE (CHIP)	1.1A 200V D1FL20U	チップダイオード		01
* D117	WS013200	DIODE	RF501B2STL	ダイオード		
* D118	WS013200	DIODE	RF501B2STL	ダイオード		
D119	VV463000	DIODE (CHIP)	1.1A 200V D1FL20U	チップダイオード		01
-121	VV463000	DIODE (CHIP)	1.1A 200V D1FL20U	チップダイオード		01
* D122	WS013200	DIODE	RF501B2STL	ダイオード		
* D123	WS013200	DIODE	RF501B2STL	ダイオード		
D124	VV463000	DIODE (CHIP)	1.1A 200V D1FL20U	チップダイオード		01
D125	VS59760R	DIODE (CHIP)	RB160L-40 TE25	チップダイオード		01
-129	VS59760R	DIODE (CHIP)	RB160L-40 TE25	チップダイオード		01
D131	VV463000	DIODE (CHIP)	1.1A 200V D1FL20U	チップダイオード		01
D132	WJ459300	DIODE	D1FK60-5063	ダイオード		01
D133	VT332900	DIODE	1SS355 TE-17	ダイオード		01
D135	VU172500	ZENER DIODE	UDZS9.1BTE-17 9.1V	ツェナーダイオード		01
D136	VU172500	ZENER DIODE	UDZS9.1BTE-17 9.1V	ツェナーダイオード		01
D138	WK911900	ZENER DIODE	150V 1SMB5953BT3G	ツェナーダイオード		02
* D139	WR543600	ZENER DIODE	1SMB5956BT3G 200.0	ツェナーダイオード		
* D140	WR543600	ZENER DIODE	1SMB5956BT3G 200.0	ツェナーダイオード		
D141	VV55630R	DIODE ARRAY	DAN217 0.3A x2	ダイオードアレイ		01
D142	VU17300R	ZENER DIODE	UDZS15B 15V	ツェナーダイオード		01
D143	VU17330R	ZENER DIODE	UDZS20B TE-17 20V	ツェナーダイオード		01
D145	VU17330R	ZENER DIODE	UDZS20B TE-17 20V	ツェナーダイオード		01
-147	VU17330R	ZENER DIODE	UDZS20B TE-17 20V	ツェナーダイオード		01
D148	VT332900	DIODE	1SS355 TE-17 TP	ダイオード		01
D300	VT332900	DIODE	1SS355 TE-17	ダイオード		01
D301	V2376600	SCHOTTKY DIODE	RB500V-40	ショットキーダイオード		01
D302	V2376600	SCHOTTKY DIODE	RB500V-40	ショットキーダイオード		01
D303	VS20110R	DIODE (CHIP)	D1F60 1A 600V	チップダイオード		01
D303	VN68110R	DIODE	EC10DS4TE12L1A400V	チップダイオード		01
* D303	VT53250R	DIODE	1SR154-400	ダイオード		01
* D304	WN348700	DIODE	CRH01(TE85L,Q)	ダイオード		
D305	WN348700	DIODE	CRH01(TE85L,Q)	ダイオード		
D306	V2376600	SCHOTTKY DIODE	RB500V-40	ショットキーダイオード		01
D307	V2376600	SCHOTTKY DIODE	RB500V-40	ショットキーダイオード		01
D308	V963430R	SHOTTKY DIODE	RB551V-30	ショットキーダイオード		01
D309	V963430R	SHOTTKY DIODE	RB551V-30	ショットキーダイオード		01
D310	V2376600	SCHOTTKY DIODE	RB500V-40	ショットキーダイオード		01
D311	V2376600	SCHOTTKY DIODE	RB500V-40	ショットキーダイオード		01
D312	V963430R	SHOTTKY DIODE	RB551V-30	ショットキーダイオード		01
D313	V963430R	SHOTTKY DIODE	RB551V-30	ショットキーダイオード		01
D314	VT332900	DIODE	1SS355 TE-17	ダイオード		01
D315	VD30390R	DIODE ARRAY	1SS226(TE85R,F)	ダイオードアレイ		01
-317	VD30390R	DIODE ARRAY	1SS226(TE85R,F)	ダイオードアレイ		01
D318	VU172900	ZENER DIODE	UDZS13B TE-17 13V	ツェナーダイオード		01
D319	VU172700	ZENER DIODE	UDZS11B TE-17 11V	ツェナーダイオード		01
D320	VS59760R	DIODE (CHIP)	RB160L-40 TE25	チップダイオード		01
D500	VT332900	DIODE	1SS355 TE-17	ダイオード		01
D501	V2376600	SCHOTTKY DIODE	RB500V-40	ショットキーダイオード		01
D502	V2376600	SCHOTTKY DIODE	RB500V-40	ショットキーダイオード		01
* D503	WN348700	DIODE	CRH01(TE85L,Q)	ダイオード		
* D504	WN348700	DIODE	CRH01(TE85L,Q)	ダイオード		
D505	V2376600	SCHOTTKY DIODE	RB500V-40	ショットキーダイオード		01
D506	V2376600	SCHOTTKY DIODE	RB500V-40	ショットキーダイオード		01
D507	V963430R	SHOTTKY DIODE	RB551V-30	ショットキーダイオード		01
D508	V963430R	SHOTTKY DIODE	RB551V-30	ショットキーダイオード		01
D509	V2376600	SCHOTTKY DIODE	RB500V-40	ショットキーダイオード		01
D510	V2376600	SCHOTTKY DIODE	RB500V-40	ショットキーダイオード		01
D511	V963430R	SHOTTKY DIODE	RB551V-30	ショットキーダイオード		01
D512	V963430R	SHOTTKY DIODE	RB551V-30	ショットキーダイオード		01
D513	VT332900	DIODE	1SS355 TE-17	ダイオード		01
D514	VD30390R	DIODE ARRAY	1SS226(TE85R,F)	ダイオードアレイ		01
-516	VD30390R	DIODE ARRAY	1SS226(TE85R,F)	ダイオードアレイ		01
D517	VU172900	ZENER DIODE	UDZS13B TE-17 13V	ツェナーダイオード		01
D518	VU172700	ZENER DIODE	UDZS11B TE-17 11V	ツェナーダイオード		01

* : New Parts

RANK: Japan only

AMPS1

REF NO.	PART NO.	DESCRIPTION	部 品 名	REMARKS	QTY	RANK
D519	VS59760R	DIODE (CHIP)	RB160L-40 TE25	チップダイオード		01
D703	VS20110R	DIODE (CHIP)	D1F60 1A 600V	チップダイオード		01
D703	VT53250R	DIODE	1SR154-400	ダイオード		01
D703	VN68110R	DIODE	EC10DS4TE12L1A400V	チップダイオード		01
EM300	VI243100	LC FILTER	DSS6NB32A271Q93A	LCフィルタ		01
EM701	VI243100	LC FILTER	DSS6NB32A271Q93A	LCフィルタ		01
EM702	VI243100	LC FILTER	DSS6NB32A271Q93A	LCフィルタ		01
* IC101	X9652A00	IC	L6563TR PFC	IC PFC CONTROLLER		
IC102	X5814A0R	IC	NJM2903M	IC OP AMP		01
* IC103	X9653A00	IC	L6599DTR RESONANT	IC REGULATOR +15V		
IC104	YA732A00	IC	KIA78M15F-RTF/P 15	IC REGULATOR		
* IC106	YA889A00	IC	KIA7918PI-U/PF -18	IC REGULATOR -18V		
IC106	XK842A00	IC	NJM7918FA	IC REGULATOR -18V		02
IC107	YA929A00	IC	NJM78M18DL1A(TE1)	IC REGULATOR		
* IC108	YA888A00	IC	KIA7818API-U/PF 18	IC REGULATOR +18V		
IC109	X5814A0R	IC	NJM2903M	IC OP AMP		01
* IC110	YC589A00	IC	MM1431ANRE	IC REGULATOR		
* -112	YC589A00	IC	MM1431ANRE	IC REGULATOR		
IC300	X0670A0R	IC	LM35DT/NOPB	IC TEMPERATURE SENSOR		05
K101	WC53340R	GND PLATE	MLA8	プレート GND		
L104	GE300670	FERRITE BEAD	BL02RN2-R62T4	フェライトビーズ		02
-108	GE300670	FERRITE BEAD	BL02RN2-R62T4	フェライトビーズ		02
L109	V3307700	CHIP INDUCTANCE	BLM21BD102SN1D	チップインダクタ		01
L110	V3307700	CHIP INDUCTANCE	BLM21BD102SN1D	チップインダクタ		01
* L111	WR650400	COIL	LHDM005501FVBW1EBU	コイル		
L300	V3232700	CHIP INDUCTANCE	BLM31P121S	チップインダクタ		01
L303	GE300610	FERRITE BEAD	BL02RN1-R62T4 RX T	フェライトビーズ		01
-306	GE300610	FERRITE BEAD	BL02RN1-R62T4 RX T	フェライトビーズ		01
* L307	WU775700	COIL	7G23A-220M-R	コイル		
L308	WS013100	COIL	SFC25C-18-R05T TAT	コイル		
* L309	WT881500	COIL INDUCTOR (CHIP)	100uH	チップインダクタ		
* L310	WT881500	COIL INDUCTOR (CHIP)	100uH	チップインダクタ		
L500	V3232700	CHIP INDUCTANCE	BLM31P121S	チップインダクタ		01
L503	WV031500	COIL	7G23A-330M-R	コイル		
* L504	WT883900	COIL	OC9070-C701	コイル		
△ PH101	WP388200	PHOTO COUPLER	TLP781(D4-GR,F)	フォトカプラー		01
PH102	WB058200	PHOTO COUPLER	TLP281(GR-TP,F)	フォトカプラー		01
△ PH103	WP388200	PHOTO COUPLER	TLP781(D4-GR,F)	フォトカプラー		01
* PR101	WR976900	THERMISTOR	PRF18BF471QB5RB 47	サーミスタ		
* PR301	WU822600	THERMISTOR	LP732BTTE102J5000	サーミスタ		
* PR501	WU822600	THERMISTOR	LP732BTTE102J5000	サーミスタ		
* Q101	WT858100	POWER FET	STP25NM50N ST	FET		
* Q102	WR543300	FET	IPP60R165CP ST	FET		
* Q103	WR543300	FET	IPP60R165CP ST	FET		
* Q104	VV556500	TRANSISTOR	2SA1037AK Q,R,S	トランジスタ		01
* Q105	WT856700	POWER FET	SPA21N50C3	FET		
* Q106	WT856700	POWER FET	SPA21N50C3	FET		
Q107	WC435000	DIGITAL TRANSISTOR	KRC102S-RTK/P	デジタルトランジスタ		01
Q108	WC434800	DIGITAL TRANSISTOR	KRA102S-RTK/P	デジタルトランジスタ		01
Q110	WC435000	DIGITAL TRANSISTOR	KRC102S-RTK/P	デジタルトランジスタ		01
Q111	WC435000	DIGITAL TRANSISTOR	KRC102S-RTK/P	デジタルトランジスタ		01
Q112	VV556400	TRANSISTOR	2SC2412K Q,R,S	トランジスタ		01
Q113	VV556400	TRANSISTOR	2SC2412K Q,R,S	トランジスタ		01
Q116	WC435000	DIGITAL TRANSISTOR	KRC102S-RTK/P	デジタルトランジスタ		01
Q117	V742170R	TRANSISTOR (CHIP)	2SC3324 GR,BL	チップトランジスタ		01
Q118	WC435000	DIGITAL TRANSISTOR	KRC102S-RTK/P	デジタルトランジスタ		01
Q300	VV556500	TRANSISTOR	2SA1037AK Q,R,S	トランジスタ		01
Q301	WC139600	TRANSISTOR	KTC3911S-GR,BL-RTK	トランジスタ		01
Q302	WG281900	TRANSISTOR (ARRAY)	HN3A51F(TE85L,F)	トランジスタアレイ		01
Q303	VS056500	TRANSISTOR (ARRAY)	HN1C01F-Y/GR(TE85R)	トランジスタアレイ		01
Q304	VV556400	TRANSISTOR	2SC2412K Q,R,S	トランジスタ		01
Q305	VE198700	TRANSISTOR	2SA1145 O,Y	トランジスタ		01
Q306	VV556400	TRANSISTOR	2SC2412K Q,R,S	トランジスタ		01
Q307	VR152900	TRANSISTOR	2SC3790 E,F	トランジスタ		02
Q308	VR152900	TRANSISTOR	2SC3790 E,F	トランジスタ		02
* Q309	WN348500	TRANSISTOR	2SA1362-Y(TE85L,F)	トランジスタ		
* Q310	WN348500	TRANSISTOR	2SA1362-Y(TE85L,F)	トランジスタ		
Q311	VV556400	TRANSISTOR	2SC2412K Q,R,S	トランジスタ		01
* Q312	WN337200	TRANSISTOR	2SC3710A-Y(F) ST	トランジスタ		
* Q313	WN348500	TRANSISTOR	2SA1362-Y(TE85L,F)	トランジスタ		

* : New Parts

RANK: Japan only

AMPS1

REF NO.	PART NO.	DESCRIPTION	部 品 名	REMARKS	QTY	RANK
* Q314	WN348500	TRANSISTOR	2SA1362-Y(TE85L,F)	ト ラ ン ジ ス タ		
* Q315	WQ863800	TRANSISTOR	2SA1721-O(TE85L,F)	チ ッ プ ト ラ ン ジ ス タ		
Q316	WC139600	TRANSISTOR	KTC3911S-GR,BL-RTK	ト ラ ン ジ ス タ		01
* Q317	WN339400	FET	2SK3594-01	F E T		
* Q318	WN339400	FET	2SK3594-01	F E T		
Q319	VR152900	TRANSISTOR	2SC3790 E,F	ト ラ ン ジ ス タ		02
Q500	VV556500	TRANSISTOR	2SA1037AK Q,R,S	ト ラ ン ジ ス タ		01
Q501	WC139600	TRANSISTOR	KTC3911S-GR,BL-RTK	ト ラ ン ジ ス タ		01
Q502	WG281900	TRANSISTOR (ARRAY)	HN3A51F(TE85L,F)	ト ラ ン ジ ス タ ア レ イ		01
Q503	VS056500	TRANSISTOR (ARRAY)	HN1C01F-Y/GR(TE85R)	ト ラ ン ジ ス タ ア レ イ		01
Q504	VV556400	TRANSISTOR	2SC2412K Q,R,S	ト ラ ン ジ ス タ		01
Q505	VE198700	TRANSISTOR	2SA1145 O,Y	ト ラ ン ジ ス タ		01
Q506	VV556400	TRANSISTOR	2SC2412K Q,R,S	ト ラ ン ジ ス タ		01
Q507	VR152900	TRANSISTOR	2SC3790 E,F	ト ラ ン ジ ス タ		02
Q508	VR152900	TRANSISTOR	2SC3790 E,F	ト ラ ン ジ ス タ		02
* Q509	WN348500	TRANSISTOR	2SA1362-Y(TE85L,F)	ト ラ ン ジ ス タ		
* Q510	WN348500	TRANSISTOR	2SA1362-Y(TE85L,F)	ト ラ ン ジ ス タ		
Q511	VV556400	TRANSISTOR	2SC2412K Q,R,S	ト ラ ン ジ ス タ		01
Q512	WN337200	TRANSISTOR	2SC3710A-Y(F) ST	ト ラ ン ジ ス タ		
* Q513	WN348500	TRANSISTOR	2SA1362-Y(TE85L,F)	ト ラ ン ジ ス タ		
* Q514	WN348500	TRANSISTOR	2SA1362-Y(TE85L,F)	ト ラ ン ジ ス タ		
* Q515	WQ863800	TRANSISTOR	2SA1721-O(TE85L,F)	チ ッ プ ト ラ ン ジ ス タ		
Q516	WC139600	TRANSISTOR	KTC3911S-GR,BL-RTK	ト ラ ン ジ ス タ		01
* Q517	WS103200	FET	2SK3607-01MR ST	F E T		
* Q518	WS103200	FET	2SK3607-01MR ST	F E T		
Q701	VV655700	DIGITAL TRANSISTOR	DTC144EKA TP	デ ジ タ ル ト ラ ン ジ ス タ		01
Q702	VV655300	DIGITAL TRANSISTOR	DTA144EKA	デ ジ タ ル ト ラ ン ジ ス タ		01
Q703	VD303700	TRANSISTOR	2SC3326 A,B TE85R	ト ラ ン ジ ス タ		01
Q704	VD303700	TRANSISTOR	2SC3326 A,B TE85R	ト ラ ン ジ ス タ		01
Q705	WC52940R	TRANSISTOR	KTC3875S-Y,GR-RTK/	ト ラ ン ジ ス タ		01
Q706	WC52950R	TRANSISTOR	KTA1504S-Y,GR-RTK/	ト ラ ン ジ ス タ		
Q707	WC52940R	TRANSISTOR	KTC3875S-Y,GR-RTK/	ト ラ ン ジ ス タ		01
Q708	WC52950R	TRANSISTOR	KTA1504S-Y,GR-RTK/	ト ラ ン ジ ス タ		
Q709	WC52940R	TRANSISTOR	KTC3875S-Y,GR-RTK/	ト ラ ン ジ ス タ		01
-712	WC52940R	TRANSISTOR	KTC3875S-Y,GR-RTK/	ト ラ ン ジ ス タ		01
Q713	WC52950R	TRANSISTOR	KTA1504S-Y,GR-RTK/	ト ラ ン ジ ス タ		
Q714	WC435000	DIGITAL TRANSISTOR	KRC102S-RTK/P	デ ジ タ ル ト ラ ン ジ ス タ		01
Q715	VV655700	DIGITAL TRANSISTOR	DTC144EKA TP	デ ジ タ ル ト ラ ン ジ ス タ		01
Q716	WC435000	DIGITAL TRANSISTOR	KRC102S-RTK/P	デ ジ タ ル ト ラ ン ジ ス タ		01
Q717	VV655700	DIGITAL TRANSISTOR	DTC144EKA TP	デ ジ タ ル ト ラ ン ジ ス タ		01
Q722	VV655700	DIGITAL TRANSISTOR	DTC144EKA TP	デ ジ タ ル ト ラ ン ジ ス タ		01
Q723	VV655700	DIGITAL TRANSISTOR	DTC144EKA TP	デ ジ タ ル ト ラ ン ジ ス タ		01
Q750	VD303700	TRANSISTOR	2SC3326 A,B TE85R	ト ラ ン ジ ス タ		01
Q751	VD303700	TRANSISTOR	2SC3326 A,B TE85R	ト ラ ン ジ ス タ		01
R101	RD359100	CARBON RESISTOR (CHIP)	1.0M 1/16W J	チ ッ プ 抵 抗		01
R102	RF357100	METAL FILM RESISTOR (CHIP)	10K 1/16W D	チ ッ プ 金 被 抵 抗		01
R103	RD157330	CARBON RESISTOR (CHIP)	33K 1/4W J	チ ッ プ 抵 抗		01
R104	VN067401	WIRE WOUND RESISTOR	6.8 5W K	セ メ ン ト 抵 抗		03
R106	RD35718R	CARBON RESISTOR (CHIP)	18K 1/16W D	チ ッ プ 抵 抗		01
* R107	RD158680	CARBON RESISTOR (CHIP)	680K 1/4W J	チ ッ プ 抵 抗		
* -109	RD158680	CARBON RESISTOR (CHIP)	680K 1/4W J	チ ッ プ 抵 抗		
R110	RD358100	CARBON RESISTOR (CHIP)	100K 1/16W J	チ ッ プ 抵 抗		01
R111	RD35747R	CARBON RESISTOR (CHIP)	47K 1/16W D	チ ッ プ 抵 抗		01
R112	RD35747R	CARBON RESISTOR (CHIP)	47K 1/16W D	チ ッ プ 抵 抗		01
R113	RD358470	CARBON RESISTOR (CHIP)	470K 1/16W J	チ ッ プ 抵 抗		01
R114	VT879800	METAL OXIDE FILM RESISTOR	33K 2W J	酸 化 金 属 被 膜 抵 抗		01
R115	VT879800	METAL OXIDE FILM RESISTOR	33K 2W J	酸 化 金 属 被 膜 抵 抗		01
R116	RD358470	CARBON RESISTOR (CHIP)	470K 1/16W J	チ ッ プ 抵 抗		01
R117	RD358820	CARBON RESISTOR (CHIP)	820K 1/16W J	チ ッ プ 抵 抗		01
R118	RD358120	CARBON RESISTOR (CHIP)	120K 1/16W J	チ ッ プ 抵 抗		01
R119	RD358820	CARBON RESISTOR (CHIP)	820K 1/16W J	チ ッ プ 抵 抗		01
R122	RD15447R	CARBON RESISTOR (CHIP)	47 1/4W J	チ ッ プ 抵 抗		01
R123	RD15447R	CARBON RESISTOR (CHIP)	47 1/4W J	チ ッ プ 抵 抗		01
R124	RD356820	CARBON RESISTOR (CHIP)	8.2K 1/16W J	チ ッ プ 抵 抗		01
R128	RD35627R	CARBON RESISTOR (CHIP)	2.7K 1/16W J	チ ッ プ 抵 抗		01
R129	RD356100	CARBON RESISTOR (CHIP)	1.0K 1/16W J	チ ッ プ 抵 抗		01
R130	RD357220	CARBON RESISTOR (CHIP)	22K 1/16W J	チ ッ プ 抵 抗		01
R131	RD356100	CARBON RESISTOR (CHIP)	1.0K 1/16W J	チ ッ プ 抵 抗		01
* R132	WR649100	CARBON RESISTOR (CHIP)	0.082 1W J	チ ッ プ 抵 抗		
* R133	WR649100	CARBON RESISTOR (CHIP)	0.082 1W J	チ ッ プ 抵 抗		

* : New Parts

RANK: Japan only

AMPS1

REF NO.	PART NO.	DESCRIPTION	部 品 名	REMARKS	QTY	RANK
R134	RD357100	CARBON RESISTOR (CHIP)	10K 1/16W J	チ ッ プ 抵 抗		01
R135	RD357220	CARBON RESISTOR (CHIP)	22K 1/16W J	チ ッ プ 抵 抗		01
R136	WR649100	CARBON RESISTOR (CHIP)	0.082 1W J	チ ッ プ 抵 抗		01
* -139	WR649100	CARBON RESISTOR (CHIP)	0.082 1W J	チ ッ プ 抵 抗		01
R142	RD358100	CARBON RESISTOR (CHIP)	100K 1/16W J	チ ッ プ 抵 抗		01
R143	RD356330	CARBON RESISTOR (CHIP)	3.3K 1/16W J	チ ッ プ 抵 抗		01
R144	RD357330	CARBON RESISTOR (CHIP)	33K 1/16W J	チ ッ プ 抵 抗		01
R145	RF357100	METAL FILM RESISTOR (CHIP)	10K 1/16W D	チ ッ プ 金 被 抵 抗		01
R146	RD357100	CARBON RESISTOR (CHIP)	10K 1/16W J	チ ッ プ 抵 抗		01
R147	RD158220	CARBON RESISTOR (CHIP)	220K 1/4W J	チ ッ プ 抵 抗		01
-152	RD158220	CARBON RESISTOR (CHIP)	220K 1/4W J	チ ッ プ 抵 抗		01
R153	RD359100	CARBON RESISTOR (CHIP)	1.0M 1/16W J	チ ッ プ 抵 抗		01
* R154	RD158680	CARBON RESISTOR (CHIP)	680K 1/4W J	チ ッ プ 抵 抗		01
* R155	RD158680	CARBON RESISTOR (CHIP)	680K 1/4W J	チ ッ プ 抵 抗		01
* R156	RD158470	CARBON RESISTOR (CHIP)	470K 1/4W J	チ ッ プ 抵 抗		01
R157	RD159100	CARBON RESISTOR (CHIP)	1.0M 1/4W J	チ ッ プ 抵 抗		01
R158	RD159100	CARBON RESISTOR (CHIP)	1.0M 1/4W J	チ ッ プ 抵 抗		01
* R159	RD158560	CARBON RESISTOR (CHIP)	560K 1/4W J	チ ッ プ 抵 抗		01
R160	RF35639R	CARBON RESISTOR (CHIP)	3.9K 1/16W D	チ ッ プ 抵 抗		01
R161	RF357100	METAL FILM RESISTOR (CHIP)	10K 1/16W D	チ ッ プ 金 被 抵 抗		01
R162	RD35347R	CARBON RESISTOR (CHIP)	4.7 1/16W J	チ ッ プ 抵 抗		01
-165	RD35347R	CARBON RESISTOR (CHIP)	4.7 1/16W J	チ ッ プ 抵 抗		01
R166	RD35410R	CARBON RESISTOR (CHIP)	10 1/16W J	チ ッ プ 抵 抗		01
R167	RD35410R	CARBON RESISTOR (CHIP)	10 1/16W J	チ ッ プ 抵 抗		01
R168	RD357220	CARBON RESISTOR (CHIP)	22K 1/16W J	チ ッ プ 抵 抗		01
R169	RD357220	CARBON RESISTOR (CHIP)	22K 1/16W J	チ ッ プ 抵 抗		01
R170	RD154100	CARBON RESISTOR (CHIP)	10 1/4W J	チ ッ プ 抵 抗		01
R171	VC74500R	METAL OXIDE FILM RESISTOR	100 1W J	酸 化 金 属 被 膜 抵 抗		01
R173	RD357330	CARBON RESISTOR (CHIP)	33K 1/16W J	チ ッ プ 抵 抗		01
R174	RD356820	CARBON RESISTOR (CHIP)	8.2K 1/16W J	チ ッ プ 抵 抗		01
R177	RD358470	CARBON RESISTOR (CHIP)	470K 1/16W J	チ ッ プ 抵 抗		01
R179	RD157150	CARBON RESISTOR (CHIP)	15K 1/4W J	チ ッ プ 抵 抗		01
R180	RF35718R	CARBON RESISTOR (CHIP)	18K 1/16W D	チ ッ プ 抵 抗		01
R181	RF35810R	CARBON RESISTOR (CHIP)	100K 1/16W D	チ ッ プ 抵 抗		01
R182	RF35815R	CARBON RESISTOR (CHIP)	150K 1/16W D	チ ッ プ 抵 抗		01
R183	RF35722R	CARBON RESISTOR (CHIP)	22K 1/16W D	チ ッ プ 抵 抗		01
R184	RF35722R	CARBON RESISTOR (CHIP)	22K 1/16W D	チ ッ プ 抵 抗		01
R185	RF35815R	CARBON RESISTOR (CHIP)	150K 1/16W D	チ ッ プ 抵 抗		01
R186	RF35810R	CARBON RESISTOR (CHIP)	100K 1/16W D	チ ッ プ 抵 抗		01
R187	RF35718R	CARBON RESISTOR (CHIP)	18K 1/16W D	チ ッ プ 抵 抗		01
R188	RF357100	METAL FILM RESISTOR (CHIP)	10K 1/16W D	チ ッ プ 金 被 抵 抗		01
-191	RF357100	METAL FILM RESISTOR (CHIP)	10K 1/16W D	チ ッ プ 金 被 抵 抗		01
R193	RD357100	CARBON RESISTOR (CHIP)	10K 1/16W J	チ ッ プ 抵 抗		01
R194	RD358470	CARBON RESISTOR (CHIP)	470K 1/16W J	チ ッ プ 抵 抗		01
R195	RD358220	CARBON RESISTOR (CHIP)	220K 1/16W J	チ ッ プ 抵 抗		01
R196	RD358100	CARBON RESISTOR (CHIP)	100K 1/16W J	チ ッ プ 抵 抗		01
R197	RD355560	CARBON RESISTOR (CHIP)	560 1/16W J	チ ッ プ 抵 抗		01
R198	RD355560	CARBON RESISTOR (CHIP)	560 1/16W J	チ ッ プ 抵 抗		01
R199	RF35791R	CARBON RESISTOR (CHIP)	91K 1/16W D	チ ッ プ 抵 抗		01
R200	RF35718R	CARBON RESISTOR (CHIP)	18K 1/16W D	チ ッ プ 抵 抗		01
R201	RF35791R	CARBON RESISTOR (CHIP)	91K 1/16W D	チ ッ プ 抵 抗		01
R202	RF35718R	CARBON RESISTOR (CHIP)	18K 1/16W D	チ ッ プ 抵 抗		01
R204	RD157330	CARBON RESISTOR (CHIP)	33K 1/4W J	チ ッ プ 抵 抗		01
R205	RD157330	CARBON RESISTOR (CHIP)	33K 1/4W J	チ ッ プ 抵 抗		01
R214	RD358100	CARBON RESISTOR (CHIP)	100K 1/16W J	チ ッ プ 抵 抗		01
R216	VT879800	METAL OXIDE FILM RESISTOR	33K 2W J	酸 化 金 属 被 膜 抵 抗		01
R217	RF355680	METAL FILM RESISTOR (CHIP)	680 1/16W D	チ ッ プ 金 被 抵 抗		01
R218	RD356330	CARBON RESISTOR (CHIP)	3.3K 1/16W J	チ ッ プ 抵 抗		01
-220	RD356330	CARBON RESISTOR (CHIP)	3.3K 1/16W J	チ ッ プ 抵 抗		01
R222	RD356330	CARBON RESISTOR (CHIP)	3.3K 1/16W J	チ ッ プ 抵 抗		01
R223	RD356330	CARBON RESISTOR (CHIP)	3.3K 1/16W J	チ ッ プ 抵 抗		01
R224	RD35718R	CARBON RESISTOR (CHIP)	18K 1/16W D	チ ッ プ 抵 抗		01
R225	RD35718R	CARBON RESISTOR (CHIP)	18K 1/16W D	チ ッ プ 抵 抗		01
R226	RD356820	CARBON RESISTOR (CHIP)	8.2K 1/16W J	チ ッ プ 抵 抗		01
R227	RD15710R	CARBON RESISTOR (CHIP)	10K 1/4W J	チ ッ プ 抵 抗		01
R228	RD357100	CARBON RESISTOR (CHIP)	10K 1/16W J	チ ッ プ 抵 抗		01
R229	RD358220	CARBON RESISTOR (CHIP)	220K 1/16W J	チ ッ プ 抵 抗		01
R231	RD359100	CARBON RESISTOR (CHIP)	1.0M 1/16W J	チ ッ プ 抵 抗		01
R232	RF35618R	CARBON RESISTOR (CHIP)	1.8K 1/16W D	チ ッ プ 抵 抗		01
R233	RF355120	METAL FILM RESISTOR (CHIP)	120 1/16W D	チ ッ プ 金 被 抵 抗		01

* : New Parts

RANK: Japan only

AMPS1

REF NO.	PART NO.	DESCRIPTION	部 品 名	REMARKS	QTY	RANK
R234	RD15710R	CARBON RESISTOR (CHIP)	10K 1/4W J	チ ッ プ 抵 抗		01
R235	RF35633R	CARBON RESISTOR (CHIP)	3.3K 1/16W D	チ ッ プ 抵 抗		01
R236	RF35791R	CARBON RESISTOR (CHIP)	91K 1/16W D	チ ッ プ 抵 抗		01
R237	RF35815R	CARBON RESISTOR (CHIP)	150K 1/16W D	チ ッ プ 抵 抗		01
R238	RF35815R	CARBON RESISTOR (CHIP)	150K 1/16W D	チ ッ プ 抵 抗		01
R239	RF356560	CARBON RESISTOR (CHIP)	5.6K 1/16W D	チ ッ プ 抵 抗		01
R240	RD35718R	CARBON RESISTOR (CHIP)	18K 1/16W D	チ ッ プ 抵 抗		01
R241	RD356180	CARBON RESISTOR (CHIP)	18K 1/16W J	チ ッ プ 抵 抗		01
R242	RD35747R	CARBON RESISTOR (CHIP)	47K 1/16W D	チ ッ プ 抵 抗		01
R243	RF35622R	CARBON RESISTOR (CHIP)	2.2K 1/16W D	チ ッ プ 抵 抗		01
R244	RD355560	CARBON RESISTOR (CHIP)	560 1/16W J	チ ッ プ 抵 抗		01
R245	RD15412R	CARBON RESISTOR (CHIP)	12 1/4W J	チ ッ プ 抵 抗		01
R246	RF358330	CARBON RESISTOR (CHIP)	330K 1/16W D	チ ッ プ 抵 抗		01
R247	RD350001	CARBON RESISTOR (CHIP)	0 1/16W J	チ ッ プ 抵 抗		01
R249	RD356220	CARBON RESISTOR (CHIP)	2.2K 1/16W J	チ ッ プ 抵 抗		01
R250	RD15710R	CARBON RESISTOR (CHIP)	10K 1/4W J	チ ッ プ 抵 抗		01
R251	RD157330	CARBON RESISTOR (CHIP)	33K 1/4W J	チ ッ プ 抵 抗		01
R304	RF35615R	CARBON RESISTOR (CHIP)	1.5K 1/16W D	チ ッ プ 抵 抗		01
R305	RF35615R	CARBON RESISTOR (CHIP)	1.5K 1/16W D	チ ッ プ 抵 抗		01
R307	RD350001	CARBON RESISTOR (CHIP)	0 1/16W J	チ ッ プ 抵 抗		01
R308	RD350001	CARBON RESISTOR (CHIP)	0 1/16W J	チ ッ プ 抵 抗		01
R309	RD355100	CARBON RESISTOR (CHIP)	100 1/16W J	チ ッ プ 抵 抗		01
R310	RF35712R	CARBON RESISTOR (CHIP)	12K 1/16W D	チ ッ プ 抵 抗		01
R311	RF35712R	CARBON RESISTOR (CHIP)	12K 1/16W D	チ ッ プ 抵 抗		01
R312	RD355150	CARBON RESISTOR (CHIP)	150 1/16W J	チ ッ プ 抵 抗		01
* R313	WU822400	CARBON RESISTOR (CHIP)	22K 1/4W F	チ ッ プ 抵 抗		01
R314	RF35722R	CARBON RESISTOR (CHIP)	22K 1/16W D	チ ッ プ 抵 抗		01
R315	RD354470	CARBON RESISTOR (CHIP)	47 1/16W J	チ ッ プ 抵 抗		01
R316	RD355150	CARBON RESISTOR (CHIP)	150 1/16W J	チ ッ プ 抵 抗		01
R317	RF356100	METAL FILM RESISTOR (CHIP)	1.0K 1/16W D	チ ッ プ 金 被 抵 抗		01
R318	RF356100	METAL FILM RESISTOR (CHIP)	1.0K 1/16W D	チ ッ プ 金 被 抵 抗		01
R319	RF35582R	CARBON RESISTOR (CHIP)	820 1/16W D	チ ッ プ 抵 抗		01
R320	RF35582R	CARBON RESISTOR (CHIP)	820 1/16W D	チ ッ プ 抵 抗		01
R322	RD357220	CARBON RESISTOR (CHIP)	22K 1/16W J	チ ッ プ 抵 抗		01
R323	RD15810R	CARBON RESISTOR (CHIP)	100K 1/4W J	チ ッ プ 抵 抗		01
R324	RF355100	METAL FILM RESISTOR (CHIP)	100 1/16W D	チ ッ プ 金 被 抵 抗		01
R325	RF35612R	CARBON RESISTOR (CHIP)	1.2K 1/16W D	チ ッ プ 抵 抗		01
R326	RF354470	CARBON RESISTOR (CHIP)	47 1/16W D	チ ッ プ 抵 抗		01
R327	RD35747R	CARBON RESISTOR (CHIP)	47K 1/16W D	チ ッ プ 抵 抗		01
R328	RF356100	METAL FILM RESISTOR (CHIP)	1.0K 1/16W D	チ ッ プ 金 被 抵 抗		01
R329	RD355560	CARBON RESISTOR (CHIP)	560 1/16W J	チ ッ プ 抵 抗		01
R330	RF354470	CARBON RESISTOR (CHIP)	47 1/16W D	チ ッ プ 抵 抗		01
R331	RF35582R	CARBON RESISTOR (CHIP)	820 1/16W D	チ ッ プ 抵 抗		01
R332	RF355100	METAL FILM RESISTOR (CHIP)	100 1/16W D	チ ッ プ 金 被 抵 抗		01
R333	RF35612R	CARBON RESISTOR (CHIP)	1.2K 1/16W D	チ ッ プ 抵 抗		01
R334	RD154100	CARBON RESISTOR (CHIP)	10 1/4W J	チ ッ プ 抵 抗		01
R335	RD154100	CARBON RESISTOR (CHIP)	10 1/4W J	チ ッ プ 抵 抗		01
R336	RD359100	CARBON RESISTOR (CHIP)	1.0M 1/16W J	チ ッ プ 抵 抗		01
-339	RD359100	CARBON RESISTOR (CHIP)	1.0M 1/16W J	チ ッ プ 抵 抗		01
R340	RD355220	CARBON RESISTOR (CHIP)	220 1/16W J	チ ッ プ 抵 抗		01
R341	RD355220	CARBON RESISTOR (CHIP)	220 1/16W J	チ ッ プ 抵 抗		01
R342	RD156180	CARBON RESISTOR (CHIP)	18K 1/4W J	チ ッ プ 抵 抗		01
R343	RD156180	CARBON RESISTOR (CHIP)	18K 1/4W J	チ ッ プ 抵 抗		01
R344	RD15447R	CARBON RESISTOR (CHIP)	47 1/4W J	チ ッ プ 抵 抗		01
R345	RD15447R	CARBON RESISTOR (CHIP)	47 1/4W J	チ ッ プ 抵 抗		01
R346	RD155680	CARBON RESISTOR (CHIP)	680 1/4W J	チ ッ プ 抵 抗		01
-349	RD155680	CARBON RESISTOR (CHIP)	680 1/4W J	チ ッ プ 抵 抗		01
R350	RD15812R	CARBON RESISTOR (CHIP)	120K 1/4W J	チ ッ プ 抵 抗		01
-352	RD15812R	CARBON RESISTOR (CHIP)	120K 1/4W J	チ ッ プ 抵 抗		01
R353	RD35347R	CARBON RESISTOR (CHIP)	4.7 1/16W J	チ ッ プ 抵 抗		01
R354	RD35347R	CARBON RESISTOR (CHIP)	4.7 1/16W J	チ ッ プ 抵 抗		01
* R355	WV010100	CARBON RESISTOR (CHIP)	0.033 1W J	チ ッ プ 抵 抗		01
* R356	WV010100	CARBON RESISTOR (CHIP)	0.033 1W J	チ ッ プ 抵 抗		01
* R357	WU822700	CARBON RESISTOR (CHIP)	33 1W J	チ ッ プ 抵 抗		01
* R358	WU822700	CARBON RESISTOR (CHIP)	33 1W J	チ ッ プ 抵 抗		01
* R359	WV010100	CARBON RESISTOR (CHIP)	0.033 1W J	チ ッ プ 抵 抗		01
* R360	WV010100	CARBON RESISTOR (CHIP)	0.033 1W J	チ ッ プ 抵 抗		01
R361	RF356100	METAL FILM RESISTOR (CHIP)	1.0K 1/16W D	チ ッ プ 金 被 抵 抗		01
R362	RF355100	METAL FILM RESISTOR (CHIP)	100 1/16W D	チ ッ プ 金 被 抵 抗		01
R364	RF356100	METAL FILM RESISTOR (CHIP)	1.0K 1/16W D	チ ッ プ 金 被 抵 抗		01

* : New Parts

RANK: Japan only

AMPS1

REF NO.	PART NO.	DESCRIPTION		部	品	名	REMARKS	QTY	RANK
R367	RD15812R	CARBON RESISTOR (CHIP)	120K 1/4W J	チ	ッ	ブ	抵抗		01
R370	RD15810R	CARBON RESISTOR (CHIP)	100K 1/4W J	チ	ッ	ブ	抵抗		01
R375	RD15810R	CARBON RESISTOR (CHIP)	100K 1/4W J	チ	ッ	ブ	抵抗		01
R393	RD350001	CARBON RESISTOR (CHIP)	0 1/16W J	チ	ッ	ブ	抵抗		01
R395	RD354470	CARBON RESISTOR (CHIP)	47 1/16W J	チ	ッ	ブ	抵抗		01
R396	RD357150	CARBON RESISTOR (CHIP)	15K 1/16W J	チ	ッ	ブ	抵抗		01
R397	RD357100	CARBON RESISTOR (CHIP)	10K 1/16W J	チ	ッ	ブ	抵抗		01
* R398	WT877700	CARBON RESISTOR (CHIP)	180 1W J	チ	ッ	ブ	抵抗		
* R399	WU779000	CARBON RESISTOR (CHIP)	15K 2W J	チ	ッ	ブ	抵抗		
R400	RD350001	CARBON RESISTOR (CHIP)	0 1/16W J	チ	ッ	ブ	抵抗		01
R401	RD353330	CARBON RESISTOR (CHIP)	3.3 1/16W J	チ	ッ	ブ	抵抗		01
R402	RD353330	CARBON RESISTOR (CHIP)	3.3 1/16W J	チ	ッ	ブ	抵抗		01
R403	RD350001	CARBON RESISTOR (CHIP)	0 1/16W J	チ	ッ	ブ	抵抗		01
R404	RD15810R	CARBON RESISTOR (CHIP)	100K 1/4W J	チ	ッ	ブ	抵抗		01
R405	RF454820	CARBON RESISTOR (CHIP)	82 1/16W D	チ	ッ	ブ	抵抗		01
R406	RD353330	CARBON RESISTOR (CHIP)	3.3 1/16W J	チ	ッ	ブ	抵抗		01
R407	RD353330	CARBON RESISTOR (CHIP)	3.3 1/16W J	チ	ッ	ブ	抵抗		01
R504	RF35612R	CARBON RESISTOR (CHIP)	12K 1/16W D	チ	ッ	ブ	抵抗		01
R505	RF35612R	CARBON RESISTOR (CHIP)	12K 1/16W D	チ	ッ	ブ	抵抗		01
* R507	RF454120	CARBON RESISTOR (CHIP)	12 1/16W D	チ	ッ	ブ	抵抗		
* R508	RF454120	CARBON RESISTOR (CHIP)	12 1/16W D	チ	ッ	ブ	抵抗		
R509	RD355100	CARBON RESISTOR (CHIP)	100 1/16W J	チ	ッ	ブ	抵抗		01
R510	RF35712R	CARBON RESISTOR (CHIP)	12K 1/16W D	チ	ッ	ブ	抵抗		01
R511	RF35712R	CARBON RESISTOR (CHIP)	12K 1/16W D	チ	ッ	ブ	抵抗		01
R513	RF35712R	CARBON RESISTOR (CHIP)	12K 1/16W D	チ	ッ	ブ	抵抗		01
R514	RF356100	METAL FILM RESISTOR (CHIP)	1.0K 1/16W D	チ	ッ	ブ	金被抵抗		01
-516	RF356100	METAL FILM RESISTOR (CHIP)	1.0K 1/16W D	チ	ッ	ブ	金被抵抗		01
R517	RF456100	CARBON RESISTOR (CHIP)	1.0K 1/16W D	チ	ッ	ブ	抵抗		01
R519	RD357220	CARBON RESISTOR (CHIP)	22K 1/16W J	チ	ッ	ブ	抵抗		01
R520	RD15810R	CARBON RESISTOR (CHIP)	100K 1/4W J	チ	ッ	ブ	抵抗		01
R521	RF355100	METAL FILM RESISTOR (CHIP)	100 1/16W D	チ	ッ	ブ	金被抵抗		01
R522	RF356100	METAL FILM RESISTOR (CHIP)	1.0K 1/16W D	チ	ッ	ブ	金被抵抗		01
R523	RF354470	CARBON RESISTOR (CHIP)	47 1/16W D	チ	ッ	ブ	抵抗		01
R524	RD35747R	CARBON RESISTOR (CHIP)	47K 1/16W D	チ	ッ	ブ	抵抗		01
R525	RF356100	METAL FILM RESISTOR (CHIP)	1.0K 1/16W D	チ	ッ	ブ	金被抵抗		01
R526	RD355560	CARBON RESISTOR (CHIP)	560 1/16W J	チ	ッ	ブ	抵抗		01
R527	RF354470	CARBON RESISTOR (CHIP)	47 1/16W D	チ	ッ	ブ	抵抗		01
R528	RF356100	METAL FILM RESISTOR (CHIP)	1.0K 1/16W D	チ	ッ	ブ	金被抵抗		01
R529	RF355100	METAL FILM RESISTOR (CHIP)	100 1/16W D	チ	ッ	ブ	金被抵抗		01
R530	RF356100	METAL FILM RESISTOR (CHIP)	1.0K 1/16W D	チ	ッ	ブ	金被抵抗		01
R531	RD154100	CARBON RESISTOR (CHIP)	10 1/4W J	チ	ッ	ブ	抵抗		01
R532	RD154100	CARBON RESISTOR (CHIP)	10 1/4W J	チ	ッ	ブ	抵抗		01
R533	RD359100	CARBON RESISTOR (CHIP)	1.0M 1/16W J	チ	ッ	ブ	抵抗		01
-536	RD359100	CARBON RESISTOR (CHIP)	1.0M 1/16W J	チ	ッ	ブ	抵抗		01
R537	RD355220	CARBON RESISTOR (CHIP)	220 1/16W J	チ	ッ	ブ	抵抗		01
R538	RD355220	CARBON RESISTOR (CHIP)	220 1/16W J	チ	ッ	ブ	抵抗		01
R539	RD156180	CARBON RESISTOR (CHIP)	1.8K 1/4W J	チ	ッ	ブ	抵抗		01
R540	RD156180	CARBON RESISTOR (CHIP)	1.8K 1/4W J	チ	ッ	ブ	抵抗		01
R541	RD154560	CARBON RESISTOR (CHIP)	56 1/4W J	チ	ッ	ブ	抵抗		01
R542	RD154560	CARBON RESISTOR (CHIP)	56 1/4W J	チ	ッ	ブ	抵抗		01
R543	RD155680	CARBON RESISTOR (CHIP)	680 1/4W J	チ	ッ	ブ	抵抗		01
-546	RD155680	CARBON RESISTOR (CHIP)	680 1/4W J	チ	ッ	ブ	抵抗		01
R547	RD15812R	CARBON RESISTOR (CHIP)	120K 1/4W J	チ	ッ	ブ	抵抗		01
-549	RD15812R	CARBON RESISTOR (CHIP)	120K 1/4W J	チ	ッ	ブ	抵抗		01
R550	RD35347R	CARBON RESISTOR (CHIP)	4.7 1/16W J	チ	ッ	ブ	抵抗		01
R551	RD35347R	CARBON RESISTOR (CHIP)	4.7 1/16W J	チ	ッ	ブ	抵抗		01
* R552	WV010100	CARBON RESISTOR (CHIP)	0.033 1W J	チ	ッ	ブ	抵抗		
* R553	WV010100	CARBON RESISTOR (CHIP)	0.033 1W J	チ	ッ	ブ	抵抗		
* R554	WU822700	CARBON RESISTOR (CHIP)	33 1W J	チ	ッ	ブ	抵抗		
* R555	WU822700	CARBON RESISTOR (CHIP)	33 1W J	チ	ッ	ブ	抵抗		
R558	RF356100	METAL FILM RESISTOR (CHIP)	1.0K 1/16W D	チ	ッ	ブ	金被抵抗		01
R559	RF355100	METAL FILM RESISTOR (CHIP)	100 1/16W D	チ	ッ	ブ	金被抵抗		01
R561	RF356100	METAL FILM RESISTOR (CHIP)	1.0K 1/16W D	チ	ッ	ブ	金被抵抗		01
R564	RD15812R	CARBON RESISTOR (CHIP)	120K 1/4W J	チ	ッ	ブ	抵抗		01
R567	RD15810R	CARBON RESISTOR (CHIP)	100K 1/4W J	チ	ッ	ブ	抵抗		01
R572	RD15810R	CARBON RESISTOR (CHIP)	100K 1/4W J	チ	ッ	ブ	抵抗		01
R590	RD350001	CARBON RESISTOR (CHIP)	0 1/16W J	チ	ッ	ブ	抵抗		01
R592	RF355330	CARBON RESISTOR (CHIP)	330 1/16W D	チ	ッ	ブ	抵抗		01
R593	RF354100	CARBON RESISTOR (CHIP)	10 1/16W D	チ	ッ	ブ	抵抗		01
R594	RF354100	CARBON RESISTOR (CHIP)	10 1/16W D	チ	ッ	ブ	抵抗		01

* : New Parts

RANK: Japan only

AMPS1 and AMPS2

REF NO.	PART NO.	DESCRIPTION		部 品 名	REMARKS	QTY	RANK
R595	RF455330	CARBON RESISTOR (CHIP)	330 1/16W D	チ ッ プ 抵 抗			
* R598	WU827300	CARBON RESISTOR (CHIP)	12K 1/4W F	チ ッ プ 抵 抗			
R599	RD15810R	CARBON RESISTOR (CHIP)	100K 1/4W J	チ ッ プ 抵 抗			01
R600	RF354100	CARBON RESISTOR (CHIP)	10 1/16W D	チ ッ プ 抵 抗			01
R601	RF354100	CARBON RESISTOR (CHIP)	10 1/16W D	チ ッ プ 抵 抗			01
R721	RD15710R	CARBON RESISTOR (CHIP)	10K 1/4W J	チ ッ プ 抵 抗			01
R722	RD15710R	CARBON RESISTOR (CHIP)	10K 1/4W J	チ ッ プ 抵 抗			01
R723	RF355120	METAL FILM RESISTOR (CHIP)	120 1/16W D	チ ッ プ 金 被 抵 抗			01
R724	RF355120	METAL FILM RESISTOR (CHIP)	120 1/16W D	チ ッ プ 金 被 抵 抗			01
R725	RD358330	CARBON RESISTOR (CHIP)	330K 1/16W J	チ ッ プ 抵 抗			01
R726	RD358330	CARBON RESISTOR (CHIP)	330K 1/16W J	チ ッ プ 抵 抗			01
R727	RD358100	CARBON RESISTOR (CHIP)	100K 1/16W J	チ ッ プ 抵 抗			01
R728	RD358100	CARBON RESISTOR (CHIP)	100K 1/16W J	チ ッ プ 抵 抗			01
R729	RD357100	CARBON RESISTOR (CHIP)	10K 1/16W J	チ ッ プ 抵 抗			01
R730	RD357100	CARBON RESISTOR (CHIP)	10K 1/16W J	チ ッ プ 抵 抗			01
R731	RD357330	CARBON RESISTOR (CHIP)	33K 1/16W J	チ ッ プ 抵 抗			01
R732	RD357330	CARBON RESISTOR (CHIP)	33K 1/16W J	チ ッ プ 抵 抗			01
R733	RD357560	CARBON RESISTOR (CHIP)	56K 1/16W J	チ ッ プ 抵 抗			01
R734	RD356560	CARBON RESISTOR (CHIP)	5.6K 1/16W J	チ ッ プ 抵 抗			01
R735	RD357560	CARBON RESISTOR (CHIP)	56K 1/16W J	チ ッ プ 抵 抗			01
R736	RD356560	CARBON RESISTOR (CHIP)	5.6K 1/16W J	チ ッ プ 抵 抗			01
R737	RD358100	CARBON RESISTOR (CHIP)	100K 1/16W J	チ ッ プ 抵 抗			01
-740	RD358100	CARBON RESISTOR (CHIP)	100K 1/16W J	チ ッ プ 抵 抗			01
R745	RD35747R	CARBON RESISTOR (CHIP)	47K 1/16W D	チ ッ プ 抵 抗			01
R747	RD35747R	CARBON RESISTOR (CHIP)	47K 1/16W D	チ ッ プ 抵 抗			01
R756	RD358330	CARBON RESISTOR (CHIP)	330K 1/16W J	チ ッ プ 抵 抗			01
R757	RD358330	CARBON RESISTOR (CHIP)	330K 1/16W J	チ ッ プ 抵 抗			01
R758	RD358100	CARBON RESISTOR (CHIP)	100K 1/16W J	チ ッ プ 抵 抗			01
R759	RD358100	CARBON RESISTOR (CHIP)	100K 1/16W J	チ ッ プ 抵 抗			01
R760	RD357220	CARBON RESISTOR (CHIP)	22K 1/16W J	チ ッ プ 抵 抗			01
R761	RD35747R	CARBON RESISTOR (CHIP)	47K 1/16W D	チ ッ プ 抵 抗			01
R762	RD35747R	CARBON RESISTOR (CHIP)	47K 1/16W D	チ ッ プ 抵 抗			01
R763	RD35433R	CARBON RESISTOR (CHIP)	33 1/16W J	チ ッ プ 抵 抗			01
R764	RD35433R	CARBON RESISTOR (CHIP)	33 1/16W J	チ ッ プ 抵 抗			01
R770	RD15710R	CARBON RESISTOR (CHIP)	10K 1/4W J	チ ッ プ 抵 抗			01
R771	RD15710R	CARBON RESISTOR (CHIP)	10K 1/4W J	チ ッ プ 抵 抗			01
R772	RF355220	CARBON RESISTOR (CHIP)	220 1/16W D	チ ッ プ 抵 抗			01
R773	RF355220	CARBON RESISTOR (CHIP)	220 1/16W D	チ ッ プ 抵 抗			01
RA701	WH205800	RESISTOR ARRAY	33x4	抵 抗 ア レ イ			01
-704	WH205800	RESISTOR ARRAY	33x4	抵 抗 ア レ イ			01
△ T101	WR648900	TRANSFORMER	PT-ER4245H-0009	ト ラ ン ス			
* VR101	V7394900	VR TRIMMER	B100K 3P EVM	半 固 定 V R			
* VR300	WT880600	VR TRIMMER	B100 3P	半 固 定 V R			
* VR500	WT880600	VR TRIMMER	B100 3P	半 固 定 V R			
* WT873600	CIRCUIT BOARD	AMPS2		A M P S 2 シ ー ト	DSR118W		
--	WIRE HARNESS	SMV2J P=2.0 12-130		ジ ャ ン パ ー リ ー ド	(YA924D0)		
--	WIRE HARNESS	SMV2J P=2.0 16-130		ジ ャ ン パ ー リ ー ド	(WU08430)		
C101	US064100	CERAMIC CAPACITOR-B (CHIP)	0.01uF 50V K	チ ッ プ セ ラ (B)	(WU08440)		01
C102	US063100	CERAMIC CAPACITOR-B (CHIP)	1000pF 50V K	チ ッ プ セ ラ (B)			01
C103	US063100	CERAMIC CAPACITOR-B (CHIP)	1000pF 50V K	チ ッ プ セ ラ (B)			01
C104	US064100	CERAMIC CAPACITOR-B (CHIP)	0.01uF 50V K	チ ッ プ セ ラ (B)			01
* C105	WT855600	POLYPROPYLEN CAPCITOR	0.47uF 450V J	P P コ ン			
C106	WJ590700	CERAMIC CAPACITOR (CHIP)	0.47uF 16V K	チ ッ プ セ ラ			
C107	US044220	CERAMIC CAPACITOR-B (CHIP)	0.022uF 25V K	チ ッ プ セ ラ (B)			01
C108	US035100	CERAMIC CAPACITOR-B (CHIP)	0.1uF 16V K	チ ッ プ セ ラ (B)			01
C109	US035100	CERAMIC CAPACITOR-B (CHIP)	0.1uF 16V K	チ ッ プ セ ラ (B)			01
C110	US063100	CERAMIC CAPACITOR-B (CHIP)	1000pF 50V K	チ ッ プ セ ラ (B)			01
C111	US062270	CERAMIC CAPACITOR (CHIP)	270pF 50V J	チ ッ プ セ ラ (S L)			01
C112	US062220	CERAMIC CAPACITOR-SL (CHIP)	220pF 50V J	チ ッ プ セ ラ (S L)			01
C113	US064100	CERAMIC CAPACITOR-B (CHIP)	0.01uF 50V K	チ ッ プ セ ラ (B)			01
* C114	WU620800	ELECTROLYTIC CAPACITOR (CHIP)	150uF 16V	チ ッ プ ケ ミ コ ン U D			
C115	US064100	CERAMIC CAPACITOR-B (CHIP)	0.01uF 50V K	チ ッ プ セ ラ (B)			01
C116	US035100	CERAMIC CAPACITOR-B (CHIP)	0.1uF 16V K	チ ッ プ セ ラ (B)			01
C117	WB80120R	ELECTROLYTIC CAPACITOR (CHIP)	100uF 6.3V	チ ッ プ ケ ミ コ ン			01
* C118	WR646200	ELECTROLYTIC CAPACITOR	330uF 420V	ケ ミ コ ン			
* C119	WR646200	ELECTROLYTIC CAPACITOR	330uF 420V	ケ ミ コ ン			
C120	US064100	CERAMIC CAPACITOR-B (CHIP)	0.01uF 50V K	チ ッ プ セ ラ (B)			01
C121	WG251600	CERAMIC CAPACITOR (CHIP)	4.7uF 6.3V K	チ ッ プ セ ラ			01
C122	WG969400	MONOLITHIC CERAMIC CAP.	10uF 6.3V K	チ ッ プ 積 層 セ ラ コ ン			01

* : New Parts

RANK: Japan only

AMPS2

REF NO.	PART NO.	DESCRIPTION	部 品 名	REMARKS	QTY	RANK
C123	WB577800	POLYESTER FILM CAP.(CHIP)	470pF 16V G	チップマイラー		01
C124	US062470	CERAMIC CAPACITOR-SL(CHIP)	470pF 50V J	チップセラ(SL)		01
* C125	WG427500	MONOLITHIC CERAMIC CAP(CHIP)	0.15uF 25V B	チップ積層セラコン		
C126	WG427500	MONOLITHIC CERAMIC CAP(CHIP)	0.15uF 25V B	チップ積層セラコン		
C127	WN422300	ELECTROLYTIC CAPACITOR (CHIP)	47uF 35V	チップケミコンUD		01
C128	US064100	CERAMIC CAPACITOR-B (CHIP)	0.01uF 50V K	チップセラ(B)		01
C129	US046100	CERAMIC CAPACITOR-B (CHIP)	1.0uF 25V K	チップセラ(B)		01
C130	US034470	CERAMIC CAPACITOR-B (CHIP)	0.047uF 16V K	チップセラ(B)		01
C131	US034470	CERAMIC CAPACITOR-B (CHIP)	0.047uF 16V K	チップセラ(B)		01
C132	V7658000	MONOLITHIC CERAMIC CAP(CHIP)	1000pF 2KV K	チップ積層セラコン		01
C133	WJ918800	ELECTROLYTIC CAPACITOR (CHIP)	100uF 35V	チップケミコン		01
* C134	WT855700	POLYPROPYLEN CAPCITOR	0.039uF 1000V H	PPコン		
* C135	WT855700	POLYPROPYLEN CAPCITOR	0.039uF 1000V H	PPコン		
C137	WN422500	ELECTROLYTIC CAPACITOR (CHIP)	22uF 50V	チップケミコンUD		01
C138	WC37000R	ELECTROLYTIC CAPACITOR (CHIP)	220uF 35V	チップケミコン		01
C139	WC37000R	ELECTROLYTIC CAPACITOR (CHIP)	220uF 35V	チップケミコン		01
C140	US035100	CERAMIC CAPACITOR-B (CHIP)	0.1uF 16V K	チップセラ(B)		01
* C141	WR648800	ELECTROLYTIC CAPACITOR	2200uF 100V	ケミコン		
* C142	WR648800	ELECTROLYTIC CAPACITOR	2200uF 100V	ケミコン		
C143	WN422500	ELECTROLYTIC CAPACITOR (CHIP)	22uF 50V	チップケミコンUD		01
C144	WN422300	ELECTROLYTIC CAPACITOR (CHIP)	47uF 35V	チップケミコンUD		01
C145	WN422300	ELECTROLYTIC CAPACITOR (CHIP)	47uF 35V	チップケミコンUD		01
C146	WU447000	CERAMIC CAPACITOR (CHIP)	0.1uF 50V K	チップセラ(B)		01
C147	US062220	CERAMIC CAPACITOR-SL(CHIP)	220pF 50V J	チップセラ(SL)		01
C148	US062220	CERAMIC CAPACITOR-SL(CHIP)	220pF 50V J	チップセラ(SL)		01
C149	VR168300	MONOLITHIC MYLAR CAPACITOR	0.1uF 50V	積層マイラーコン		01
C150	US046100	CERAMIC CAPACITOR-B (CHIP)	1.0uF 25V K	チップセラ(B)		01
C151	WN422300	ELECTROLYTIC CAPACITOR (CHIP)	47uF 35V	チップケミコンUD		01
C152	US062220	CERAMIC CAPACITOR-SL(CHIP)	220pF 50V J	チップセラ(SL)		01
C154	US064100	CERAMIC CAPACITOR-B (CHIP)	0.01uF 50V K	チップセラ(B)		01
C155	US064100	CERAMIC CAPACITOR-B (CHIP)	0.01uF 50V K	チップセラ(B)		01
C161	US063150	CERAMIC CAPACITOR-B (CHIP)	1500pF 50V K	チップセラ(B)		01
C162	US035100	CERAMIC CAPACITOR-B (CHIP)	0.1uF 16V K	チップセラ(B)		01
C163	US064100	CERAMIC CAPACITOR-B (CHIP)	0.01uF 50V K	チップセラ(B)		01
C164	US046100	CERAMIC CAPACITOR-B (CHIP)	1.0uF 25V K	チップセラ(B)		01
C165	US064100	CERAMIC CAPACITOR-B (CHIP)	0.01uF 50V K	チップセラ(B)		01
C166	US035100	CERAMIC CAPACITOR-B (CHIP)	0.1uF 16V K	チップセラ(B)		01
C170	US062100	CERAMIC CAPASITOR-SL (CHIP)	100pF 50V J	チップセラ(SL)		01
C306	V8085400	CERAMIC CAPACITOR-B (CHIP)	0.1uF 25V K	チップセラ(B)		01
C307	WB57570R	POLYESTER FILM CAP.(CHIP)	3900pF 50V J	チップマイラー		01
C308	WB57570R	POLYESTER FILM CAP.(CHIP)	3900pF 50V J	チップマイラー		01
C309	WB581900	MYLAR CAPACITOR (CHIP)	1000pF 50V G	チップマイラー		01
C310	WB581900	MYLAR CAPACITOR (CHIP)	1000pF 50V G	チップマイラー		01
C311	US046100	CERAMIC CAPACITOR-B (CHIP)	1.0uF 25V K	チップセラ(B)		01
* C312	WN349000	POLYESTER FILM CAPACITOR	330pF 100V J	マイラーコン		
C313	WB57440R	POLYESTER FILM CAP.(CHIP)	330pF 50V J	チップマイラー		01
C314	VZ420800	MONOLITHIC CERAMIC CAP(CHIP)	0.1uF 100V K	チップ積層セラコン		01
C315	VZ420800	MONOLITHIC CERAMIC CAP(CHIP)	0.1uF 100V K	チップ積層セラコン		01
* C316	WV038200	ELECTROLYTIC CAPACITOR	22uF 100V	チップケミコン		
* C316	WV039500	ELECTROLYTIC CAPACITOR	22uF 100V	チップケミコン		
* C317	WV038200	ELECTROLYTIC CAPACITOR	22uF 100V	チップケミコン		
* C317	WV039500	ELECTROLYTIC CAPACITOR	22uF 100V	チップケミコン		
C318	VE326800	MONOLITHIC MYLAR CAPACITOR	0.47uF 50V J	積層マイラーコン		01
C318	VR169200	MONOLITHIC MYLAR CAPACITOR	0.47uF 50V J	積層マイラーコン		01
C319	VE326800	MONOLITHIC MYLAR CAPACITOR	0.47 50V J RX TP	積層マイラーコン		01
C319	VR169200	MONOLITHIC MYLAR CAPACITOR	0.47uF 50V J	積層マイラーコン		01
C320	WF20450R	ELECTROLYTIC CAPACITOR	220uF 25V	ケミコン		01
C321	WF20450R	ELECTROLYTIC CAPACITOR	220uF 25V	ケミコン		01
C322	VE326800	MONOLITHIC MYLAR CAPACITOR	0.47uF 50V J	積層マイラーコン		01
C322	VR169200	MONOLITHIC MYLAR CAPACITOR	0.47uF 50V J	積層マイラーコン		01
C323	UR838100	ELECTROLYTIC CAPACITOR	100uF 16V	ケミコン		01
C324	US035100	CERAMIC CAPACITOR-B (CHIP)	0.1uF 16V K	チップセラ(B)		01
C325	US035100	CERAMIC CAPACITOR-B (CHIP)	0.1uF 16V K	チップセラ(B)		01
C326	UR838100	ELECTROLYTIC CAPACITOR	100uF 16V	ケミコン		01
C327	VZ420800	MONOLITHIC CERAMIC CAP(CHIP)	0.1uF 100V K	チップ積層セラコン		01
C328	WJ592700	MONOLITHIC CERAMIC CAP.	100pF 250V J	チップ積層セラコン		01
C329	WJ592700	MONOLITHIC CERAMIC CAP.	100pF 250V J	チップ積層セラコン		01
C330	VZ420800	MONOLITHIC CERAMIC CAP(CHIP)	0.1uF 100V K	チップ積層セラコン		01
-332	VZ420800	MONOLITHIC CERAMIC CAP(CHIP)	0.1uF 100V K	チップ積層セラコン		01
* C333	WT879400	POLYESTER FILM CAPACITOR	1.2uF 250V J	マイラーコン		

* : New Parts

RANK: Japan only

AMPS2

REF NO.	PART NO.	DESCRIPTION		部 品 名	REMARKS	QTY	RANK
* C333	WV975000	POLYPROPYLEN CAPACITOR	12uF 250V J	P P コ ン			
* C333	WV975400	POLYPROPYLEN CAPACITOR	12uF 250V J	P P コ ン			
C334	WS106400	POLYESTER FILM CAPACITOR	0.56uF 100V J	マ イ ラ - コ ン			
* C334	WV975300	POLYESTER FILM CAPACITOR	0.56uF 100V J	マ イ ラ - コ ン			
C335	WS106400	POLY FILM CAPA 0.56uF	0.56uF 100V J	マ イ ラ - コ ン			
* C335	WV975300	POLYESTER FILM CAPACITOR	0.56uF 100V J	マ イ ラ - コ ン			
C338	US064100	CERAMIC CAPACITOR-B (CHIP)	0.01uF 50V K	チ ッ プ セ ラ (B)			01
C339	US064100	CERAMIC CAPACITOR-B (CHIP)	0.01uF 50V K	チ ッ プ セ ラ (B)			01
C340	WP371500	ELECTROLYTIC CAPACITOR (CHIP)	560uF 100V	ケ ミ コ ン			03
C341	WP371500	ELECTROLYTIC CAPACITOR (CHIP)	560uF 100V	ケ ミ コ ン			03
* C352	WU839400	CERAMIC CAPACITOR (CHIP)	1800pF 50V J	チ ッ プ セ ラ			
C353	US063100	CERAMIC CAPACITOR-B (CHIP)	1000pF 50V K	チ ッ プ セ ラ (B)			01
* C354	WU839500	CERAMIC CAPACITOR (CHIP)	2200pF 50V J	チ ッ プ セ ラ			
* C355	WU839300	CERAMIC CAPACITOR (CHIP)	330pF 50V J	チ ッ プ セ ラ			
C357	WM448700	ELECTROLYTIC CAPACITOR	47uF 35V	ケ ミ コ ン P W			
C358	V8085400	CERAMIC CAPACITOR-B (CHIP)	0.1uF 25V K	チ ッ プ セ ラ (B)			01
C360	US061220	CERAMIC CAPACITOR-CH(CHIP)	22pF 50V J	チ ッ プ セ ラ (C H)			01
C361	WP371500	ELECTROLYTIC CAPACITOR (CHIP)	560uF 100V	ケ ミ コ ン			03
C362	WP371500	ELECTROLYTIC CAPACITOR (CHIP)	560uF 100V	ケ ミ コ ン			03
C701	UR857470	ELECTROLYTIC CAPACITOR	47uF 35V	ケ ミ コ ン			01
C702	UR857470	ELECTROLYTIC CAPACITOR	47uF 35V	ケ ミ コ ン			01
C704	UR857470	ELECTROLYTIC CAPACITOR	47uF 35V	ケ ミ コ ン			01
C705	US034470	CERAMIC CAPACITOR-B (CHIP)	0.047uF 16V K	チ ッ プ セ ラ (B)			01
C708	US035100	CERAMIC CAPACITOR-B (CHIP)	0.1uF 16V K	チ ッ プ セ ラ (B)			01
C709	UR848220	ELECTROLYTIC CAPACITOR	220uF 25V	ケ ミ コ ン			01
C714	US064100	CERAMIC CAPASITOR-B (CHIP)	0.01uF 50V K	チ ッ プ セ ラ (B)			01
△ CN101	LB93204R	CONNECTOR BASE POST	VH 4P TE	コネクタ-ベースポスト			01
△ CN102	VB38980R	CONNECTOR, BASE POST	PH 2P TE	ベ-ースポスト			01
△ CN103	VB38980R	CONNECTOR, BASE POST	PH 2P TE	ベ-ースポスト			01
△ CN104	VB38990R	CONNECTOR, BASE POST	PH 3P TE	ベ-ースポスト			01
△ CN300	LB93204R	CONNECTOR BASE POST	VH 4P TE	コネクタ-ベースポスト			01
△ CN701	V187940R	CABLE HOLDER	51048 16P TE	ケーブルホルダー			01
△ CN702	V1879000	CABLE HOLDER	12P TE 51048	ケーブルホルダー			01
△ D101	V2261600	DIODE BRIDGE	RBV-1306 13A 00	ダイオードブリッ			04
△ D102	VT332900	DIODE	1SS355 TE-17	ダイオード			01
D103	VT332900	DIODE	1SS355 TE-17	ダイオード			01
* D106	WT856600	DIODE	M3F60-5063	ダイオード			
* D107	WR542900	DIODE	YG982S6R SUTO	ダイオード			
D108	WJ459300	DIODE	D1FK60-5063	ダイオード			01
D109	WJ459300	DIODE	D1FK60-5063	ダイオード			01
D110	VV463000	DIODE (CHIP)	1.1A 200V D1FL20U	チップダイオード			01
D111	VV463000	DIODE (CHIP)	1.1A 200V D1FL20U	チップダイオード			01
D112	VS59760R	DIODE (CHIP)	RB160L-40 TE25	チップダイオード			01
D113	VV463000	DIODE (CHIP)	1.1A 200V D1FL20U	チップダイオード			01
-116	VV463000	DIODE (CHIP)	1.1A 200V D1FL20U	チップダイオード			01
* D117	WS013200	DIODE	RF501B2STL	ダイオード			
* D118	WS013200	DIODE	RF501B2STL	ダイオード			
D119	VV463000	DIODE (CHIP)	1.1A 200V D1FL20U	チップダイオード			01
-121	VV463000	DIODE (CHIP)	1.1A 200V D1FL20U	チップダイオード			01
* D122	WS013200	DIODE	RF501B2STL	ダイオード			
* D123	WS013200	DIODE	RF501B2STL	ダイオード			
D124	VV463000	DIODE (CHIP)	1.1A 200V D1FL20U	チップダイオード			01
D125	VS59760R	DIODE (CHIP)	RB160L-40 TE25	チップダイオード			01
-129	VS59760R	DIODE (CHIP)	RB160L-40 TE25	チップダイオード			01
D131	VV463000	DIODE (CHIP)	1.1A 200V D1FL20U	チップダイオード			01
D132	WJ459300	DIODE	D1FK60-5063	ダイオード			01
D133	VT332900	DIODE	1SS355 TE-17	ダイオード			01
D135	VU172500	ZENER DIODE	UDZS9.1BTE-17 9.1V	ツェナーダイオード			01
D136	VU172500	ZENER DIODE	UDZS9.1BTE-17 9.1V	ツェナーダイオード			01
D138	WK911900	ZENER DIODE	150V 1SMB5953BT3G	ツェナーダイオード			02
* D139	WR543600	ZENER DIODE	1SMB5956BT3G 200.0	ツェナーダイオード			
* D140	WR543600	ZENER DIODE	1SMB5956BT3G 200.0	ツェナーダイオード			
D141	VV55630R	DIODE ARRAY	DAN217 0.3A x2	ダイオードアレイ			01
D142	VU17300R	ZENER DIODE	UDZS15B 15V	ツェナーダイオード			01
D143	VU17330R	ZENER DIODE	UDZS20B TE-17 20V	ツェナーダイオード			01
D145	VU17330R	ZENER DIODE	UDZS20B TE-17 20V	ツェナーダイオード			01
-147	VU17330R	ZENER DIODE	UDZS20B TE-17 20V	ツェナーダイオード			01
D148	VT332900	DIODE	1SS355 TE-17 TP	ダイオード			01
D300	VT332900	DIODE	1SS355 TE-17	ダイオード			01
D301	V2376600	SCHOTTKY DIODE	RB500V-40	ショットキーダイオード			01

* : New Parts

RANK: Japan only

AMPS2

REF NO.	PART NO.	DESCRIPTION	部 品 名	REMARKS	QTY	RANK
D302	V2376600	SCHOTTKY DIODE	RB500V-40	ショットキーダイオード		01
D303	VN68110R	DIODE	EC10DS4TE12L1A400V	チップダイオード		01
D303	VS20110R	DIODE (CHIP)	D1F60 1A 600V	チップダイオード		01
D303	VT53250R	DIODE	1SR154-400	ダイオード		01
* D304	WN348700	DIODE	CRH01(TE85L,Q)	ダイオード		
* D305	WN348700	DIODE	CRH01(TE85L,Q)	ダイオード		
D306	V2376600	SCHOTTKY DIODE	RB500V-40	ショットキーダイオード		01
D307	V2376600	SCHOTTKY DIODE	RB500V-40	ショットキーダイオード		01
D308	V963430R	SHOTTKY DIODE	RB551V-30	ショットキーダイオード		01
D309	V963430R	SHOTTKY DIODE	RB551V-30	ショットキーダイオード		01
D310	V2376600	SCHOTTKY DIODE	RB500V-40	ショットキーダイオード		01
D311	V2376600	SCHOTTKY DIODE	RB500V-40	ショットキーダイオード		01
D312	V963430R	SHOTTKY DIODE	RB551V-30	ショットキーダイオード		01
D313	V963430R	SHOTTKY DIODE	RB551V-30	ショットキーダイオード		01
D314	VT332900	DIODE	1SS355 TE-17	ダイオード		01
D315	VD30390R	DIODE ARRAY	1SS226(TE85R,F)	ダイオードアレイ		01
-317	VD30390R	DIODE ARRAY	1SS226(TE85R,F)	ダイオードアレイ		01
D318	VU172900	ZENER DIODE	UDZS13B TE-17 13V	ツェナーダイオード		01
D319	VU172700	ZENER DIODE	UDZS11B TE-17 11V	ツェナーダイオード		01
D320	VS59760R	DIODE (CHIP)	RB160L-40 TE25	チップダイオード		01
D703	VS20110R	DIODE (CHIP)	D1F60 1A 600V	チップダイオード		01
D703	VT53250R	DIODE	1SR154-400	ダイオード		01
D703	VN68110R	DIODE	EC10DS4TE12L1A400V	チップダイオード		01
EM300	VI243100	LC FILTER	DSS6NB32A271Q93A	LCフィルタ		01
EM701	VI243100	LC FILTER	DSS6NB32A271Q93A	LCフィルタ		01
EM702	VI243100	LC FILTER	DSS6NB32A271Q93A	LCフィルタ		01
* IC101	X9652A00	IC	L6563TR PFC	I	C PFC CONTROLLER	
IC102	X5814A0R	IC	NJM2903M	I	C OP AMP	01
* IC103	X9653A00	IC	L6599DTR RESONANT	I	C REGULATOR +15V	
* IC104	YA732A00	IC	KIA78M15F-RTF/P 15	I	C REGULATOR	
* IC106	YA889A00	IC	KIA7918PI-U/PF -18	I	C } REGULATOR -18V	
IC106	XK842A00	IC	NJM7918FA	I	C }	02
* IC107	YA929A00	IC	NJM78M18DL1A(TE1)	I	C REGULATOR	
* IC108	YA888A00	IC	KIA7818API-U/PF 18	I	C REGULATOR +18V	
IC109	X5814A0R	IC	NJM2903M	I	C OP AMP	01
* IC110	YC589A00	IC	MM1431ANRE	I	C REGULATOR	
* -112	YC589A00	IC	MM1431ANRE	I	C REGULATOR	
IC300	X0670A0R	IC	LM35DT/NOPB	I	C TEMPERATURE SENSOR	05
K101	WC53340R	GND PLATE	MLA8	プレート GND		
L104	GE300670	FERRITE BEAD	BL02RN2-R62T4	フェライトビーズ		02
-108	GE300670	FERRITE BEAD	BL02RN2-R62T4	フェライトビーズ		02
L109	V3307700	CHIP INDUCTANCE	BLM21BD102SN1D	チップインダクタ		01
L110	V3307700	CHIP INDUCTANCE	BLM21BD102SN1D	チップインダクタ		01
* L111	WR650400	COIL	LHDM005501FVBW1EBU	コイル		
L300	V3232700	CHIP INDUCTANCE	BLM31P121S	チップインダクタ		01
L303	GE300610	FERRITE BEAD	BL02RN1-R62T4 RX T	フェライトビーズ		01
-306	GE300610	FERRITE BEAD	BL02RN1-R62T4 RX T	フェライトビーズ		01
* L307	WU775700	COIL	7G23A-220M-R	コイル		
L308	WS013100	COIL	SFC25C-18-R05T TAT	コイル		
* L309	WT881500	COIL INDUCTOR (CHIP)	100uH	チップインダクタ		
* L310	WT881500	COIL INDUCTOR (CHIP)	100uH	チップインダクタ		
△ PH101	WP388200	PHOTO COUPLER	TLP781(D4-GR,F)	フォトカプラー		01
PH102	WB058200	PHOTO COUPLER	TLP281(GR-TP,F)	フォトカプラー		01
△ PH103	WP388200	PHOTO COUPLER	TLP781(D4-GR,F)	フォトカプラー		01
* PR101	WR976900	THERMISTOR	PRF18BF471QB5RB 47	サーミスタ		
* PR301	WU822600	THERMISTOR	LP732BTTE102J5000	サーミスタ		
* Q101	WT858100	POWER FET	STP25NM50N ST	F E T		
* Q102	WR543300	FET	IPP60R165CP ST	F E T		
* Q103	WR543300	FET	IPP60R165CP ST	F E T		
Q104	VV556500	TRANSISTOR	2SA1037AK Q,R,S	トランジスタ		01
* Q105	WT856700	POWER FET	SPA21N50C3	F E T		
* Q106	WT856700	POWER FET	SPA21N50C3	F E T		
Q107	WC435000	DIGITAL TRANSISTOR	KRC102S-RTK/P	デジタルトランジスタ		01
Q108	WC434800	DIGITAL TRANSISTOR	KRA102S-RTK/P	デジタルトランジスタ		01
Q110	WC435000	DIGITAL TRANSISTOR	KRC102S-RTK/P	デジタルトランジスタ		01
Q111	WC435000	DIGITAL TRANSISTOR	KRC102S-RTK/P	デジタルトランジスタ		01
Q112	VV556400	TRANSISTOR	2SC2412K Q,R,S	トランジスタ		01
Q113	VV556400	TRANSISTOR	2SC2412K Q,R,S	トランジスタ		01
Q116	WC435000	DIGITAL TRANSISTOR	KRC102S-RTK/P	デジタルトランジスタ		01
Q117	V742170R	TRANSISTOR (CHIP)	2SC3324 GR,BL	チップトランジスタ		01

* : New Parts

RANK: Japan only

AMPS2

REF NO.	PART NO.	DESCRIPTION	部 品 名	REMARKS	QTY	RANK
Q118	WC435000	DIGITAL TRANSISTOR	KRC102S-RTK/P	デジタルトランジスタ		01
Q300	VV556500	TRANSISTOR	2SA1037AK Q,R,S	トランジスタ		01
Q301	WC139600	TRANSISTOR	KTC3911S-GR,BL-RTK	トランジスタ		01
Q302	WG281900	TRANSISTOR (ARRAY)	HN3A51F(TE85L,F)	トランジスタアレイ		01
Q303	VS056500	TRANSISTOR (ARRAY)	HN1C01F-Y/GR(TE85R	トランジスタアレイ		01
Q304	VV556400	TRANSISTOR	2SC2412K Q,R,S	トランジスタ		01
Q305	VE198700	TRANSISTOR	2SA1145 O,Y	トランジスタ		01
Q306	VV556400	TRANSISTOR	2SC2412K Q,R,S	トランジスタ		01
Q307	VR152900	TRANSISTOR	2SC3790 E,F	トランジスタ		02
Q308	VR152900	TRANSISTOR	2SC3790 E,F	トランジスタ		02
* Q309	WN348500	TRANSISTOR	2SA1362-Y(TE85L,F)	トランジスタ		
* Q310	WN348500	TRANSISTOR	2SA1362-Y(TE85L,F)	トランジスタ		
Q311	VV556400	TRANSISTOR	2SC2412K Q,R,S	トランジスタ		01
* Q312	WN337200	TRANSISTOR	2SC3710A-Y(F) ST	トランジスタ		
* Q313	WN348500	TRANSISTOR	2SA1362-Y(TE85L,F)	トランジスタ		
* Q314	WN348500	TRANSISTOR	2SA1362-Y(TE85L,F)	トランジスタ		
* Q315	WQ863800	TRANSISTOR	2SA1721-O(TE85L,F)	チップトランジスタ		
Q316	WC139600	TRANSISTOR	KTC3911S-GR,BL-RTK	トランジスタ		01
* Q317	WN339400	FET	2SK3594-01	F E T		
* Q318	WN339400	FET	2SK3594-01	F E T		
Q319	VR152900	TRANSISTOR	2SC3790 E,F	トランジスタ		02
Q701	VV655700	DIGITAL TRANSISTOR	DTC144EKA TP	デジタルトランジスタ		01
Q702	VV655300	DIGITAL TRANSISTOR	DTA144EKA	デジタルトランジスタ		01
Q703	VD303700	TRANSISTOR	2SC3326 A,B TE85R	トランジスタ		01
Q704	VD303700	TRANSISTOR	2SC3326 A,B TE85R	トランジスタ		01
Q707	WC52940R	TRANSISTOR	KTC3875S-Y,GR-RTK/	トランジスタ		01
Q708	WC52950R	TRANSISTOR	KTA1504S-Y,GR-RTK/	トランジスタ		01
Q710	WC52940R	TRANSISTOR	KTC3875S-Y,GR-RTK/	トランジスタ		01
Q712	WC52940R	TRANSISTOR	KTC3875S-Y,GR-RTK/	トランジスタ		01
Q713	WC52950R	TRANSISTOR	KTA1504S-Y,GR-RTK/	トランジスタ		01
Q714	WC435000	DIGITAL TRANSISTOR	KRC102S-RTK/P	デジタルトランジスタ		01
Q715	VV655700	DIGITAL TRANSISTOR	DTC144EKA TP	デジタルトランジスタ		01
Q716	WC435000	DIGITAL TRANSISTOR	KRC102S-RTK/P	デジタルトランジスタ		01
Q717	VV655700	DIGITAL TRANSISTOR	DTC144EKA TP	デジタルトランジスタ		01
Q722	VV655700	DIGITAL TRANSISTOR	DTC144EKA TP	デジタルトランジスタ		01
Q723	VV655700	DIGITAL TRANSISTOR	DTC144EKA TP	デジタルトランジスタ		01
R101	RD359100	CARBON RESISTOR (CHIP)	1.0M 1/16W J	チップ抵抗		01
R102	RF357100	METAL FILM RESISTOR (CHIP)	10K 1/16W D	チップ金被抵抗		01
R103	RD157330	CARBON RESISTOR (CHIP)	33K 1/4W J	チップ抵抗		01
R104	VN067401	WIRE WOUND RESISTOR	6.8 5W K	セメント抵抗		03
* R106	RD35718R	CARBON RESISTOR (CHIP)	18K 1/16W D	チップ抵抗		01
* R107	RD158680	CARBON RESISTOR (CHIP)	680K 1/4W J	チップ抵抗		01
* -109	RD158680	CARBON RESISTOR (CHIP)	680K 1/4W J	チップ抵抗		01
R110	RD358100	CARBON RESISTOR (CHIP)	100K 1/16W J	チップ抵抗		01
R111	RD35747R	CARBON RESISTOR (CHIP)	47K 1/16W D	チップ抵抗		01
R112	RD35747R	CARBON RESISTOR (CHIP)	47K 1/16W D	チップ抵抗		01
R113	RD358470	CARBON RESISTOR (CHIP)	470K 1/16W J	チップ抵抗		01
R114	VT879800	METAL OXIDE FILM RESISTOR	33K 2W J	酸化金属被膜抵抗		01
R115	VT879800	METAL OXIDE FILM RESISTOR	33K 2W J	酸化金属被膜抵抗		01
R116	RD358470	CARBON RESISTOR (CHIP)	470K 1/16W J	チップ抵抗		01
R117	RD358820	CARBON RESISTOR (CHIP)	820K 1/16W J	チップ抵抗		01
R118	RD358120	CARBON RESISTOR (CHIP)	120K 1/16W J	チップ抵抗		01
R119	RD358820	CARBON RESISTOR (CHIP)	820K 1/16W J	チップ抵抗		01
R122	RD15447R	CARBON RESISTOR (CHIP)	47 1/4W J	チップ抵抗		01
R123	RD15447R	CARBON RESISTOR (CHIP)	47 1/4W J	チップ抵抗		01
R124	RD356820	CARBON RESISTOR (CHIP)	8.2K 1/16W J	チップ抵抗		01
R128	RD35627R	CARBON RESISTOR (CHIP)	2.7K 1/16W J	チップ抵抗		01
R129	RD356100	CARBON RESISTOR (CHIP)	1.0K 1/16W J	チップ抵抗		01
R130	RD357220	CARBON RESISTOR (CHIP)	22K 1/16W J	チップ抵抗		01
R131	RD356100	CARBON RESISTOR (CHIP)	1.0K 1/16W J	チップ抵抗		01
* R132	WR649100	CARBON RESISTOR (CHIP)	0.082 1W J	チップ抵抗		01
* R133	WR649100	CARBON RESISTOR (CHIP)	0.082 1W J	チップ抵抗		01
R134	RD357100	CARBON RESISTOR (CHIP)	10K 1/16W J	チップ抵抗		01
R135	RD357220	CARBON RESISTOR (CHIP)	22K 1/16W J	チップ抵抗		01
* R136	WR649100	CARBON RESISTOR (CHIP)	0.082 1W J	チップ抵抗		01
* -139	WR649100	CARBON RESISTOR (CHIP)	0.082 1W J	チップ抵抗		01
R142	RD358100	CARBON RESISTOR (CHIP)	100K 1/16W J	チップ抵抗		01
R143	RD356330	CARBON RESISTOR (CHIP)	3.3K 1/16W J	チップ抵抗		01
R144	RD357330	CARBON RESISTOR (CHIP)	33K 1/16W J	チップ抵抗		01
R145	RF357100	METAL FILM RESISTOR (CHIP)	10K 1/16W D	チップ金被抵抗		01

* : New Parts

RANK: Japan only

AMPS2

REF NO.	PART NO.	DESCRIPTION		部	品	名	REMARKS	QTY	RANK
R146	RD357100	CARBON RESISTOR (CHIP)	10K 1/16W J	チ	ッ	ブ	抵 抗		01
R147	RD158220	CARBON RESISTOR (CHIP)	220K 1/4W J	チ	ッ	ブ	抵 抗		01
-152	RD158220	CARBON RESISTOR (CHIP)	220K 1/4W J	チ	ッ	ブ	抵 抗		01
R153	RD359100	CARBON RESISTOR (CHIP)	1.0M 1/16W J	チ	ッ	ブ	抵 抗		01
* R154	RD158680	CARBON RESISTOR (CHIP)	680K 1/4W J	チ	ッ	ブ	抵 抗		
* R155	RD158680	CARBON RESISTOR (CHIP)	680K 1/4W J	チ	ッ	ブ	抵 抗		
* R156	RD158470	CARBON RESISTOR (CHIP)	470K 1/4W J	チ	ッ	ブ	抵 抗		
R157	RD159100	CARBON RESISTOR (CHIP)	1.0M 1/4W J	チ	ッ	ブ	抵 抗		01
R158	RD159100	CARBON RESISTOR (CHIP)	1.0M 1/4W J	チ	ッ	ブ	抵 抗		01
* R159	RD158560	CARBON RESISTOR (CHIP)	560K 1/4W J	チ	ッ	ブ	抵 抗		
R160	RF35639R	CARBON RESISTOR (CHIP)	3.9K 1/16W D	チ	ッ	ブ	抵 抗		01
R161	RF357100	METAL FILM RESISTOR (CHIP)	10K 1/16W D	チ	ッ	ブ	金 被 抵 抗		01
R162	RD35347R	CARBON RESISTOR (CHIP)	4.7 1/16W J	チ	ッ	ブ	抵 抗		01
-165	RD35347R	CARBON RESISTOR (CHIP)	4.7 1/16W J	チ	ッ	ブ	抵 抗		01
R166	RD35410R	CARBON RESISTOR (CHIP)	10 1/16W J	チ	ッ	ブ	抵 抗		01
R167	RD35410R	CARBON RESISTOR (CHIP)	10 1/16W J	チ	ッ	ブ	抵 抗		01
R168	RD357220	CARBON RESISTOR (CHIP)	22K 1/16W J	チ	ッ	ブ	抵 抗		01
R169	RD357220	CARBON RESISTOR (CHIP)	22K 1/16W J	チ	ッ	ブ	抵 抗		01
R170	RD154100	CARBON RESISTOR (CHIP)	10 1/4W J	チ	ッ	ブ	抵 抗		
R171	VC74500R	METAL OXIDE FILM RESISTOR	100 1W J	酸	化	金 属 被 膜 抵 抗			01
R173	RD357330	CARBON RESISTOR (CHIP)	33K 1/16W J	チ	ッ	ブ	抵 抗		01
R174	RD356820	CARBON RESISTOR (CHIP)	8.2K 1/16W J	チ	ッ	ブ	抵 抗		01
R177	RD358470	CARBON RESISTOR (CHIP)	470K 1/16W J	チ	ッ	ブ	抵 抗		01
R179	RD157150	CARBON RESISTOR (CHIP)	15K 1/4W J	チ	ッ	ブ	抵 抗		
R180	RF35718R	CARBON RESISTOR (CHIP)	18K 1/16W D	チ	ッ	ブ	抵 抗		01
R181	RF35810R	CARBON RESISTOR (CHIP)	100K 1/16W D	チ	ッ	ブ	抵 抗		01
R182	RF35815R	CARBON RESISTOR (CHIP)	150K 1/16W D	チ	ッ	ブ	抵 抗		01
R183	RF35722R	CARBON RESISTOR (CHIP)	22K 1/16W D	チ	ッ	ブ	抵 抗		01
R184	RF35722R	CARBON RESISTOR (CHIP)	22K 1/16W D	チ	ッ	ブ	抵 抗		01
R185	RF35815R	CARBON RESISTOR (CHIP)	150K 1/16W D	チ	ッ	ブ	抵 抗		01
R186	RF35810R	CARBON RESISTOR (CHIP)	100K 1/16W D	チ	ッ	ブ	抵 抗		01
R187	RF35718R	CARBON RESISTOR (CHIP)	18K 1/16W D	チ	ッ	ブ	抵 抗		01
R188	RF357100	METAL FILM RESISTOR (CHIP)	10K 1/16W D	チ	ッ	ブ	金 被 抵 抗		01
-191	RF357100	METAL FILM RESISTOR (CHIP)	10K 1/16W D	チ	ッ	ブ	金 被 抵 抗		01
R193	RD357100	CARBON RESISTOR (CHIP)	10K 1/16W J	チ	ッ	ブ	抵 抗		01
R194	RD358470	CARBON RESISTOR (CHIP)	470K 1/16W J	チ	ッ	ブ	抵 抗		01
R195	RD358220	CARBON RESISTOR (CHIP)	220K 1/16W J	チ	ッ	ブ	抵 抗		01
R196	RD358100	CARBON RESISTOR (CHIP)	100K 1/16W J	チ	ッ	ブ	抵 抗		01
R197	RD355560	CARBON RESISTOR (CHIP)	560 1/16W J	チ	ッ	ブ	抵 抗		01
R198	RD355560	CARBON RESISTOR (CHIP)	560 1/16W J	チ	ッ	ブ	抵 抗		01
R199	RF35791R	CARBON RESISTOR (CHIP)	91K 1/16W D	チ	ッ	ブ	抵 抗		
R200	RF35718R	CARBON RESISTOR (CHIP)	18K 1/16W D	チ	ッ	ブ	抵 抗		01
R201	RF35791R	CARBON RESISTOR (CHIP)	91K 1/16W D	チ	ッ	ブ	抵 抗		
R202	RF35718R	CARBON RESISTOR (CHIP)	18K 1/16W D	チ	ッ	ブ	抵 抗		01
R204	RD157330	CARBON RESISTOR (CHIP)	33K 1/4W J	チ	ッ	ブ	抵 抗		01
R205	RD157330	CARBON RESISTOR (CHIP)	33K 1/4W J	チ	ッ	ブ	抵 抗		01
R214	RD358100	CARBON RESISTOR (CHIP)	100K 1/16W J	チ	ッ	ブ	抵 抗		01
R216	VT879800	METAL OXIDE FILM RESISTOR	33K 2W J	酸	化	金 属 被 膜 抵 抗			01
R217	RF355680	CARBON RESISTOR (CHIP)	680 1/16W D	チ	ッ	ブ	抵 抗		01
R218	RD356330	CARBON RESISTOR (CHIP)	3.3K 1/16W J	チ	ッ	ブ	抵 抗		01
-220	RD356330	CARBON RESISTOR (CHIP)	3.3K 1/16W J	チ	ッ	ブ	抵 抗		01
R222	RD356330	CARBON RESISTOR (CHIP)	3.3K 1/16W J	チ	ッ	ブ	抵 抗		01
R223	RD356330	CARBON RESISTOR (CHIP)	3.3K 1/16W J	チ	ッ	ブ	抵 抗		01
R224	RD35718R	CARBON RESISTOR (CHIP)	18K 1/16W D	チ	ッ	ブ	抵 抗		01
R225	RD35718R	CARBON RESISTOR (CHIP)	18K 1/16W D	チ	ッ	ブ	抵 抗		01
R226	RD356820	CARBON RESISTOR (CHIP)	8.2K 1/16W J	チ	ッ	ブ	抵 抗		01
R227	RD15710R	CARBON RESISTOR (CHIP)	10K 1/4W J	チ	ッ	ブ	抵 抗		01
R228	RD357100	CARBON RESISTOR (CHIP)	10K 1/16W J	チ	ッ	ブ	抵 抗		01
R229	RD358220	CARBON RESISTOR (CHIP)	220K 1/16W J	チ	ッ	ブ	抵 抗		01
R231	RD359100	CARBON RESISTOR (CHIP)	1.0M 1/16W J	チ	ッ	ブ	抵 抗		01
R232	RF35618R	CARBON RESISTOR (CHIP)	1.8K 1/16W D	チ	ッ	ブ	抵 抗		01
R233	RF355120	CARBON RESISTOR (CHIP)	120 1/16W D	チ	ッ	ブ	抵 抗		01
R234	RD15710R	CARBON RESISTOR (CHIP)	10K 1/4W J	チ	ッ	ブ	抵 抗		01
R235	RF35633R	CARBON RESISTOR (CHIP)	3.3K 1/16W D	チ	ッ	ブ	抵 抗		01
R236	RF35791R	CARBON RESISTOR (CHIP)	91K 1/16W D	チ	ッ	ブ	抵 抗		
R237	RF35815R	CARBON RESISTOR (CHIP)	150K 1/16W D	チ	ッ	ブ	抵 抗		01
R238	RF35815R	CARBON RESISTOR (CHIP)	150K 1/16W D	チ	ッ	ブ	抵 抗		01
R239	RF356560	CARBON RESISTOR (CHIP)	5.6K 1/16W D	チ	ッ	ブ	抵 抗		
R240	RD35718R	CARBON RESISTOR (CHIP)	18K 1/16W D	チ	ッ	ブ	抵 抗		01
R241	RD356180	CARBON RESISTOR (CHIP)	1.8K 1/16W J	チ	ッ	ブ	抵 抗		01

* : New Parts

RANK: Japan only

AMPS2

REF NO.	PART NO.	DESCRIPTION	部 品 名	REMARKS	QTY	RANK
R242	RD35747R	CARBON RESISTOR (CHIP)	47K 1/16W D	チ ッ プ 抵 抗		01
R243	RF35622R	CARBON RESISTOR (CHIP)	2.2K 1/16W D	チ ッ プ 抵 抗		01
R244	RD355560	CARBON RESISTOR (CHIP)	560 1/16W J	チ ッ プ 抵 抗		01
R245	RD15412R	CARBON RESISTOR (CHIP)	12 1/4W J	チ ッ プ 抵 抗		01
R246	RF358330	CARBON RESISTOR (CHIP)	330K 1/16W D	チ ッ プ 抵 抗		01
R247	RD350001	CARBON RESISTOR (CHIP)	0 1/16W J	チ ッ プ 抵 抗		01
R249	RD356220	CARBON RESISTOR (CHIP)	2.2K 1/16W J	チ ッ プ 抵 抗		01
R250	RD15710R	CARBON RESISTOR (CHIP)	10K 1/4W J	チ ッ プ 抵 抗		01
R251	RD157330	CARBON RESISTOR (CHIP)	33.0K 1/4 JTP	チ ッ プ 抵 抗		01
R304	RF35615R	CARBON RESISTOR (CHIP)	15K 1/16W D	チ ッ プ 抵 抗		01
R305	RF35615R	CARBON RESISTOR (CHIP)	15K 1/16W D	チ ッ プ 抵 抗		01
R307	RD350001	CARBON RESISTOR (CHIP)	0 1/16W J	チ ッ プ 抵 抗		01
R308	RD350001	CARBON RESISTOR (CHIP)	0 1/16W J	チ ッ プ 抵 抗		01
R309	RD355100	CARBON RESISTOR (CHIP)	100 1/16W J	チ ッ プ 抵 抗		01
R310	RF35712R	CARBON RESISTOR (CHIP)	12K 1/16W D	チ ッ プ 抵 抗		01
R311	RD35712R	CARBON RESISTOR (CHIP)	12K 1/16W D	チ ッ プ 抵 抗		01
R312	RD355150	CARBON RESISTOR (CHIP)	150 1/16W J	チ ッ プ 抵 抗		01
* R313	WU822400	CARBON RESISTOR (CHIP)	22K 1/4W F	チ ッ プ 抵 抗		01
R314	RF35722R	CARBON RESISTOR (CHIP)	22K 1/16W D	チ ッ プ 抵 抗		01
R315	RD354470	CARBON RESISTOR (CHIP)	47 1/16W J	チ ッ プ 抵 抗		01
R316	RD355150	CARBON RESISTOR (CHIP)	150 1/16W J	チ ッ プ 抵 抗		01
R317	RF356100	METAL FILM RESISTOR (CHIP)	1.0K 1/16W D	チ ッ プ 金 被 抵 抗		01
R318	RF356100	METAL FILM RESISTOR (CHIP)	1.0K 1/16W D	チ ッ プ 金 被 抵 抗		01
R319	RF35582R	CARBON RESISTOR (CHIP)	820 1/16W D	チ ッ プ 抵 抗		01
R320	RF35582R	CARBON RESISTOR (CHIP)	820 1/16W D	チ ッ プ 抵 抗		01
R322	RD357220	CARBON RESISTOR (CHIP)	22K 1/16W J	チ ッ プ 抵 抗		01
R323	RD15810R	CARBON RESISTOR (CHIP)	100K 1/4W J	チ ッ プ 抵 抗		01
R324	RF355100	METAL FILM RESISTOR (CHIP)	100 1/16W D	チ ッ プ 金 被 抵 抗		01
R325	RF35612R	CARBON RESISTOR (CHIP)	1.2K 1/16W D	チ ッ プ 抵 抗		01
R326	RF354470	CARBON RESISTOR (CHIP)	47 1/16W D	チ ッ プ 抵 抗		01
R327	RD35747R	CARBON RESISTOR (CHIP)	47K 1/16W D	チ ッ プ 抵 抗		01
R328	RF356100	METAL FILM RESISTOR (CHIP)	1.0K 1/16W D	チ ッ プ 金 被 抵 抗		01
R329	RD355560	CARBON RESISTOR (CHIP)	560 1/16W J	チ ッ プ 抵 抗		01
R330	RF354470	CARBON RESISTOR (CHIP)	47 1/16W D	チ ッ プ 抵 抗		01
R331	RF35582R	CARBON RESISTOR (CHIP)	820 1/16W D	チ ッ プ 抵 抗		01
R332	RF355100	METAL FILM RESISTOR (CHIP)	100 1/16W D	チ ッ プ 金 被 抵 抗		01
R333	RF35612R	CARBON RESISTOR (CHIP)	1.2K 1/16W D	チ ッ プ 抵 抗		01
R334	RD154100	CARBON RESISTOR (CHIP)	10 1/4W J	チ ッ プ 抵 抗		01
R335	RD154100	CARBON RESISTOR (CHIP)	10 1/4W J	チ ッ プ 抵 抗		01
R336	RD359100	CARBON RESISTOR (CHIP)	1.0M 1/16W J	チ ッ プ 抵 抗		01
-339	RD359100	CARBON RESISTOR (CHIP)	1.0M 1/16W J	チ ッ プ 抵 抗		01
R340	RD355220	CARBON RESISTOR (CHIP)	220 1/16W J	チ ッ プ 抵 抗		01
R341	RD355220	CARBON RESISTOR (CHIP)	220 1/16W J	チ ッ プ 抵 抗		01
R342	RD156180	CARBON RESISTOR (CHIP)	1.8K 1/4W J	チ ッ プ 抵 抗		01
R343	RD156180	CARBON RESISTOR (CHIP)	1.8K 1/4W J	チ ッ プ 抵 抗		01
R344	RD15447R	CARBON RESISTOR (CHIP)	47 1/4W J	チ ッ プ 抵 抗		01
R345	RD15447R	CARBON RESISTOR (CHIP)	47 1/4W J	チ ッ プ 抵 抗		01
R346	RD155680	CARBON RESISTOR (CHIP)	680 1/4W J	チ ッ プ 抵 抗		01
-349	RD155680	CARBON RESISTOR (CHIP)	680 1/4W J	チ ッ プ 抵 抗		01
R350	RD15812R	CARBON RESISTOR (CHIP)	120K 1/4W J	チ ッ プ 抵 抗		01
-352	RD15812R	CARBON RESISTOR (CHIP)	120K 1/4W J	チ ッ プ 抵 抗		01
R353	RD35347R	CARBON RESISTOR (CHIP)	4.7 1/16W J	チ ッ プ 抵 抗		01
R354	RD35347R	CARBON RESISTOR (CHIP)	4.7 1/16W J	チ ッ プ 抵 抗		01
* R355	WV010100	CARBON RESISTOR (CHIP)	0.033 1W J	チ ッ プ 抵 抗		01
* R356	WV010100	CARBON RESISTOR (CHIP)	0.033 1W J	チ ッ プ 抵 抗		01
* R357	WU822700	CARBON RESISTOR (CHIP)	33 1W J	チ ッ プ 抵 抗		01
* R358	WU822700	CARBON RESISTOR (CHIP)	33 1W J	チ ッ プ 抵 抗		01
* R359	WV010100	CARBON RESISTOR (CHIP)	0.033 1W J	チ ッ プ 抵 抗		01
* R360	WV010100	CARBON RESISTOR (CHIP)	0.033 1W J	チ ッ プ 抵 抗		01
R361	RF356100	CARBON RESISTOR (CHIP)	1.0K 1/16W D	チ ッ プ 抵 抗		01
R362	RF355100	CARBON RESISTOR (CHIP)	100 1/16W D	チ ッ プ 抵 抗		01
R364	RF356100	CARBON RESISTOR (CHIP)	1.0K 1/16W D	チ ッ プ 抵 抗		01
R367	RD15812R	CARBON RESISTOR (CHIP)	120K 1/4W J	チ ッ プ 抵 抗		01
R370	RD15810R	CARBON RESISTOR (CHIP)	100K 1/4W J	チ ッ プ 抵 抗		01
R375	RD15810R	CARBON RESISTOR (CHIP)	100K 1/4W J	チ ッ プ 抵 抗		01
R393	RD350001	CARBON RESISTOR (CHIP)	0 1/16W J	チ ッ プ 抵 抗		01
R395	RD354470	CARBON RESISTOR (CHIP)	47 1/16W J	チ ッ プ 抵 抗		01
R396	RD357150	CARBON RESISTOR (CHIP)	15K 1/16W J	チ ッ プ 抵 抗		01
R397	RD357100	CARBON RESISTOR (CHIP)	10K 1/16W J	チ ッ プ 抵 抗		01
* R398	WT877700	CARBON RESISTOR (CHIP)	180 1W J	チ ッ プ 抵 抗		01

* : New Parts

RANK: Japan only

AMPS2 and ASP

REF NO.	PART NO.	DESCRIPTION	部 品 名	REMARKS	QTY	RANK
* R399	WU779000	CARBON RESISTOR (CHIP)	15K 2W J	チ ッ プ 抵 抗		
R400	RD350001	CARBON RESISTOR (CHIP)	0 1/16W J	チ ッ プ 抵 抗		01
R401	RD353330	CARBON RESISTOR (CHIP)	3.3 1/16W J	チ ッ プ 抵 抗		01
R402	RD353330	CARBON RESISTOR (CHIP)	3.3 1/16W J	チ ッ プ 抵 抗		01
R403	RD350001	CARBON RESISTOR (CHIP)	0 1/16W J	チ ッ プ 抵 抗		01
R404	RD15810R	CARBON RESISTOR (CHIP)	100K 1/4W J	チ ッ プ 抵 抗		01
R405	RF454820	CARBON RESISTOR (CHIP)	82 1/16W D	チ ッ プ 抵 抗		01
R406	RD353330	CARBON RESISTOR (CHIP)	3.3 1/16W J	チ ッ プ 抵 抗		01
R407	RD353330	CARBON RESISTOR (CHIP)	3.3 1/16W J	チ ッ プ 抵 抗		01
R705	RD35747R	CARBON RESISTOR (CHIP)	47K 1/16W J	チ ッ プ 抵 抗		01
R710	RD357560	CARBON RESISTOR (CHIP)	56K 1/16W J	チ ッ プ 抵 抗		01
R718	RD357220	CARBON RESISTOR (CHIP)	22K 1/16W J	チ ッ プ 抵 抗		01
R721	RD15710R	CARBON RESISTOR (CHIP)	10K 1/4W J	チ ッ プ 抵 抗		01
R722	RD15710R	CARBON RESISTOR (CHIP)	10K 1/4W J	チ ッ プ 抵 抗		01
R723	RF355120	CARBON RESISTOR (CHIP)	120 1/16W D	チ ッ プ 抵 抗		01
R724	RF355120	CARBON RESISTOR (CHIP)	120 1/16W D	チ ッ プ 抵 抗		01
R726	RD358330	CARBON RESISTOR (CHIP)	330K 1/16W3 J	チ ッ プ 抵 抗		01
R728	RD358100	CARBON RESISTOR (CHIP)	100K 1/16W J	チ ッ プ 抵 抗		01
R730	RD357100	CARBON RESISTOR (CHIP)	10K 1/16W J	チ ッ プ 抵 抗		01
R732	RD357330	CARBON RESISTOR (CHIP)	33K 1/16W J	チ ッ プ 抵 抗		01
R735	RD357560	CARBON RESISTOR (CHIP)	56K 1/16W J	チ ッ プ 抵 抗		01
R736	RD356560	CARBON RESISTOR (CHIP)	5.6K 1/16W J	チ ッ プ 抵 抗		01
R738	RD358100	CARBON RESISTOR (CHIP)	100K 1/16W J	チ ッ プ 抵 抗		01
-740	RD358100	CARBON RESISTOR (CHIP)	100K 1/16W J	チ ッ プ 抵 抗		01
R745	RD35747R	CARBON RESISTOR (CHIP)	47K 1/16W D	チ ッ プ 抵 抗		01
R747	RD35747R	CARBON RESISTOR (CHIP)	47K 1/16W D	チ ッ プ 抵 抗		01
R757	RD358330	CARBON RESISTOR (CHIP)	330K 1/16W3 J	チ ッ プ 抵 抗		01
R758	RD358100	CARBON RESISTOR (CHIP)	100K 1/16W J	チ ッ プ 抵 抗		01
R759	RD358100	CARBON RESISTOR (CHIP)	100K 1/16W J	チ ッ プ 抵 抗		01
R760	RD357220	CARBON RESISTOR (CHIP)	22K 1/16W J	チ ッ プ 抵 抗		01
R761	RD35747R	CARBON RESISTOR (CHIP)	47K 1/16W D	チ ッ プ 抵 抗		01
R762	RD35747R	CARBON RESISTOR (CHIP)	47K 1/16W D	チ ッ プ 抵 抗		01
R763	RD35433R	CARBON RESISTOR (CHIP)	33 1/16W J	チ ッ プ 抵 抗		01
R764	RD35433R	CARBON RESISTOR (CHIP)	33 1/16W J	チ ッ プ 抵 抗		01
RA701	WH205800	RESISTOR ARRAY	33x4	抵 抗 ア レ イ		01
-704	WH205800	RESISTOR ARRAY	33x4	抵 抗 ア レ イ		01
△ * T101	WR648900	TRANSFORMER	PT-ER4245H-0009	ト ラ ン ス		
* VR101	V7394900	VR TRIMMER	B100K 3P EVM	半 固 定 V R		
* VR300	WT880600	VR TRIMMER	B100 3P	半 固 定 V R		
* C301	WT874100	CIRCUIT BOARD	ASP	A S P シ ー ト	DSR118W	(YC025C0)
-303	UR867100	ELECTROLYTIC CAPACITOR	10uF 50V	ケ ミ コ ン		01
C304	US061470	CERAMIC CAPACITOR-CH(CHIP)	47pF 50V J	チ ッ プ セ ラ (C H		01
C305	US061470	CERAMIC CAPACITOR-CH(CHIP)	47pF 50V J	チ ッ プ セ ラ (C H		01
C306	UR858100	ELECTROLYTIC CAPACITOR	100uF 35V	ケ ミ コ ン		01
C307	UR858100	ELECTROLYTIC CAPACITOR	100uF 35V	ケ ミ コ ン		01
C308	US061470	CERAMIC CAPACITOR-CH(CHIP)	47pF 50V J	チ ッ プ セ ラ (C H		01
C310	UR818220	ELECTROLYTIC CAPACITOR	220uF 6.3V RX	ケ ミ コ ン		01
C311	UR867100	ELECTROLYTIC CAPACITOR	10uF 50V	ケ ミ コ ン		01
C312	US062220	CERAMIC CAPACITOR-SL(CHIP)	220pF 50V J	チ ッ プ セ ラ (S L)		01
C313	US064100	CERAMIC CAPACITOR-B (CHIP)	0.01uF 50V K	チ ッ プ セ ラ (B)		01
C314	UR867220	ELECTROLYTIC CAPACITOR	22uF 50V	ケ ミ コ ン		01
C315	UR867220	ELECTROLYTIC CAPACITOR	22uF 50V	ケ ミ コ ン		01
C317	UR848220	ELECTROLYTIC CAPACITOR	220uF 25V	ケ ミ コ ン		01
C318	US064100	CERAMIC CAPACITOR-B (CHIP)	0.01uF 50V K	チ ッ プ セ ラ (B)		01
C319	US061470	CERAMIC CAPACITOR-CH(CHIP)	47pF 50V J	チ ッ プ セ ラ (C H		01
C320	UR867220	ELECTROLYTIC CAPACITOR	22uF 50V	ケ ミ コ ン		01
* C321	UM407470	ELECTROLYTIC CAPACITOR	47uF 25V	ケ ミ コ ン		
C323	UM406470	ELECTROLYTIC CAPACITOR	4.7uF 25V	ケ ミ コ ン		01
C324	US064100	CERAMIC CAPACITOR-B (CHIP)	0.01uF 50V K	チ ッ プ セ ラ (B)		01
-328	US064100	CERAMIC CAPACITOR-B (CHIP)	0.01uF 50V K	チ ッ プ セ ラ (B)		01
C331	US064100	CERAMIC CAPACITOR-B (CHIP)	0.01uF 50V K	チ ッ プ セ ラ (B)		01
C333	UM407220	ELECTROLYTIC CAPACITOR	22uF 25V	ケ ミ コ ン		01
C335	US065100	CERAMIC CAPACITOR-F (CHIP)	0.1uF 50V Z	チ ッ プ セ ラ (F)		01
-338	US065100	CERAMIC CAPACITOR-F (CHIP)	0.1uF 50V Z	チ ッ プ セ ラ (F)		01
C339	US064100	CERAMIC CAPACITOR-B (CHIP)	0.01uF 50V K	チ ッ プ セ ラ (B)		01
C340	US064100	CERAMIC CAPACITOR-B (CHIP)	0.01uF 50V K	チ ッ プ セ ラ (B)		01
C342	US064100	CERAMIC CAPACITOR-B (CHIP)	0.01uF 50V K	チ ッ プ セ ラ (B)		01
C344	US061470	CERAMIC CAPACITOR-CH(CHIP)	47pF 50V J	チ ッ プ セ ラ (C H		01

* : New Parts

RANK: Japan only

ASP

REF NO.	PART NO.	DESCRIPTION	部 品 名	REMARKS	QTY	RANK
* CN301	WS193700	CONNECTOR	GPHA202 20P TE	ピンヘッダ		
* CN302	WS273200	CONNECTOR	GPHA202 18P TE	ピンヘッダ		
* CN303	WS273200	CONNECTOR	GPHA202 18P TE	ピンヘッダ		
D301	VS59760R	DIODE (CHIP)	RB160L-40 TE25	チップダイオード		01
D302	VS59760R	DIODE (CHIP)	RB160L-40 TE25	チップダイオード		01
D303	WG139300	DIODE	KDS4148U-RTK/P	ダイオード		
-307	WG139300	DIODE	KDS4148U-RTK/P	ダイオード		
D308	VS59760R	DIODE (CHIP)	RB160L-40 TE25	チップダイオード		01
D309	VS59760R	DIODE (CHIP)	RB160L-40 TE25	チップダイオード		01
D310	WG139300	DIODE	KDS4148U-RTK/P	ダイオード		
D311	VN68110R	DIODE	EC10DS4TE12L1A400V	チップダイオード		01
D311	VS20110R	DIODE (CHIP)	D1F60 1A 600V	チップダイオード		01
D311	VT53250R	DIODE	1SR154-400	ダイオード		01
D312	WG139300	DIODE	KDS4148U-RTK/P	ダイオード		
D313	WG139300	DIODE	KDS4148U-RTK/P	ダイオード		
IC301	X3505A00	IC	NJM2068M-D(TE2)	OP AMP		02
IC302	X7378A00	IC	NJM4565M(TE1)	OP AMP		01
IC303	X7378A00	IC	NJM4565M(TE1)	OP AMP		01
IC305	X7378A00	IC	NJM4565M(TE1)	OP AMP		01
IC306	X3942A0R	IC	NJM78M15DL1A	REGULATOR		02
IC307	X3943A0R	IC	NJM79M15DL1A	REGULATOR		02
IC308	X7378A00	IC	NJM4565M(TE1)	OP AMP		01
IC309	X6770A00	IC	NJM431U(TE1)	REGULATOR		01
Q301	WH249200	FET	2SK208-GR(TE85L,F)	FET		01
Q302	WC435000	DIGITAL TRANSISTOR	KRC102S-RTK/P	デジタルトランジスタ		01
Q303	VV655300	DIGITAL TRANSISTOR	DTA144EKA	デジタルトランジスタ		01
Q304	WC52940R	TRANSISTOR	KTC3875S-Y,GR-RTK/	トランジスタ		01
Q305	WC435000	DIGITAL TRANSISTOR	KRC102S-RTK/P	デジタルトランジスタ		01
Q306	WC52940R	TRANSISTOR	KTC3875S-Y,GR-RTK/	トランジスタ		01
Q307	WC52940R	TRANSISTOR	KTC3875S-Y,GR-RTK/	トランジスタ		01
Q308	VV655300	DIGITAL TRANSISTOR	DTA144EKA	デジタルトランジスタ		01
Q309	WC52940R	TRANSISTOR	KTC3875S-Y,GR-RTK/	トランジスタ		01
Q310	VV655700	DIGITAL TRANSISTOR	DTC144EKA TP	デジタルトランジスタ		01
Q311	VV655700	DIGITAL TRANSISTOR	DTC144EKA TP	デジタルトランジスタ		01
Q312	WC52940R	TRANSISTOR	KTC3875S-Y,GR-RTK/	トランジスタ		01
Q313	WC52940R	TRANSISTOR	KTC3875S-Y,GR-RTK/	トランジスタ		01
Q314	VV655300	DIGITAL TRANSISTOR	DTA144EKA	デジタルトランジスタ		01
Q315	VV655700	DIGITAL TRANSISTOR	DTC144EKA TP	デジタルトランジスタ		01
Q316	VV655700	DIGITAL TRANSISTOR	DTC144EKA TP	デジタルトランジスタ		01
R301	RD358100	CARBON RESISTOR (CHIP)	100K 1/16W J	チップ抵抗		01
R302	RD358100	CARBON RESISTOR (CHIP)	100K 1/16W J	チップ抵抗		01
R303	RF35768R	CARBON RESISTOR (CHIP)	68K 1/16W D	チップ抵抗		01
R304	RF35639R	CARBON RESISTOR (CHIP)	3.9K 1/16W D	チップ抵抗		01
R305	RD357220	CARBON RESISTOR (CHIP)	22K 1/16W J	チップ抵抗		01
R306	RF357100	CARBON RESISTOR (CHIP)	10K 1/16W D	チップ抵抗		01
R307	RD156220	CARBON RESISTOR (CHIP)	2.2K 1/4W J	チップ抵抗		01
R308	RF357100	CARBON RESISTOR (CHIP)	10K 1/16W D	チップ抵抗		01
R309	RF357100	CARBON RESISTOR (CHIP)	10K 1/16W D	チップ抵抗		01
R310	RD358100	CARBON RESISTOR (CHIP)	100K 1/16W J	チップ抵抗		01
R311	RF35747R	CARBON RESISTOR (CHIP)	47K 1/16W D	チップ抵抗		01
R312	RF357100	CARBON RESISTOR (CHIP)	10K 1/16W D	チップ抵抗		01
R313	RF356100	CARBON RESISTOR (CHIP)	1.0K 1/16W D	チップ抵抗		01
R314	RF357100	CARBON RESISTOR (CHIP)	10K 1/16W D	チップ抵抗		01
R315	RD358390	CARBON RESISTOR (CHIP)	390K 1/16W J	チップ抵抗		01
R316	RD358100	CARBON RESISTOR (CHIP)	100K 1/16W J	チップ抵抗		01
-318	RD358100	CARBON RESISTOR (CHIP)	100K 1/16W J	チップ抵抗		01
R320	RF35747R	CARBON RESISTOR (CHIP)	47K 1/16W D	チップ抵抗		01
R321	RF35810R	CARBON RESISTOR (CHIP)	100K 1/16W D	チップ抵抗		01
R322	RF35733R	CARBON RESISTOR (CHIP)	33K 1/16W D	チップ抵抗		01
R323	RF35622R	CARBON RESISTOR (CHIP)	2.2K 1/16W D	チップ抵抗		01
R324	RD358330	CARBON RESISTOR (CHIP)	330K 1/16W J	チップ抵抗		01
R326	RF356100	CARBON RESISTOR (CHIP)	1.0K 1/16W D	チップ抵抗		01
R327	RF357100	CARBON RESISTOR (CHIP)	10K 1/16W D	チップ抵抗		01
R328	RF35722R	CARBON RESISTOR (CHIP)	22K 1/16W D	チップ抵抗		01
R329	RD35747R	CARBON RESISTOR (CHIP)	47K 1/16W D	チップ抵抗		01
R330	RF357100	CARBON RESISTOR (CHIP)	10K 1/16W D	チップ抵抗		01
R331	RD358220	CARBON RESISTOR (CHIP)	220K 1/16W J	チップ抵抗		01
R332	RD357120	CARBON RESISTOR (CHIP)	12K 1/16W J	チップ抵抗		01
R333	RF357100	CARBON RESISTOR (CHIP)	10K 1/16W D	チップ抵抗		01
R334	RD35747R	CARBON RESISTOR (CHIP)	47K 1/16W D	チップ抵抗		01

* : New Parts

RANK: Japan only

ASP, BRG1, BRG2, BRG3, IN1, IN2 and IN3

REF NO.	PART NO.	DESCRIPTION		部 品 名	REMARKS	QTY	RANK
R335	RD358220	CARBON RESISTOR (CHIP)	220K 1/16W J	チ ッ プ 抵 抗			01
R336	RD35747R	CARBON RESISTOR (CHIP)	47K 1/16W D	チ ッ プ 抵 抗			01
R339	RD358100	CARBON RESISTOR (CHIP)	100K 1/16W J	チ ッ プ 抵 抗			01
R340	RD358100	CARBON RESISTOR (CHIP)	100K 1/16W J	チ ッ プ 抵 抗			01
R341	RF355270	CARBON RESISTOR (CHIP)	270 1/16W D	チ ッ プ 抵 抗			01
R342	RD356220	CARBON RESISTOR (CHIP)	2.2K 1/16W J	チ ッ プ 抵 抗			01
R343	RF35722R	CARBON RESISTOR (CHIP)	22K 1/16W D	チ ッ プ 抵 抗			01
R344	RF356100	CARBON RESISTOR (CHIP)	1.0K 1/16W D	チ ッ プ 抵 抗			01
R345	RF354150	CARBON RESISTOR (CHIP)	15 1/16W D	チ ッ プ 抵 抗			01
R346	RD35747R	CARBON RESISTOR (CHIP)	47K 1/16W D	チ ッ プ 抵 抗			01
R347	RD358220	CARBON RESISTOR (CHIP)	220K 1/16W J	チ ッ プ 抵 抗			01
R348	RD358100	CARBON RESISTOR (CHIP)	100K 1/16W J	チ ッ プ 抵 抗			01
R349	RD357120	CARBON RESISTOR (CHIP)	12K 1/16W J	チ ッ プ 抵 抗			01
R350	RD35747R	CARBON RESISTOR (CHIP)	47K 1/16W D	チ ッ プ 抵 抗			01
R351	RD358220	CARBON RESISTOR (CHIP)	220K 1/16W J	チ ッ プ 抵 抗			01
R352	RD356100	CARBON RESISTOR (CHIP)	1.0K 1/16W J	チ ッ プ 抵 抗			01
R353	RD356100	CARBON RESISTOR (CHIP)	1.0K 1/16W J	チ ッ プ 抵 抗			01
R354	RD35747R	CARBON RESISTOR (CHIP)	47K 1/16W D	チ ッ プ 抵 抗			01
-356	RD35747R	CARBON RESISTOR (CHIP)	47K 1/16W D	チ ッ プ 抵 抗			01
R357	RD356220	CARBON RESISTOR (CHIP)	2.2K 1/16W J	チ ッ プ 抵 抗			01
R368	RD35747R	CARBON RESISTOR (CHIP)	47K 1/16W D	チ ッ プ 抵 抗			01
R369	RD359470	CARBON RESISTOR (CHIP)	4.7M 1/16W J	チ ッ プ 抵 抗			01
R370	RD35433R	CARBON RESISTOR (CHIP)	33 1/16W J	チ ッ プ 抵 抗			01
R371	RD35433R	CARBON RESISTOR (CHIP)	33 1/16W J	チ ッ プ 抵 抗			01
R373	RF35810R	CARBON RESISTOR (CHIP)	100K 1/16W D	チ ッ プ 抵 抗			01
R374	RF357100	CARBON RESISTOR (CHIP)	10K 1/16W D	チ ッ プ 抵 抗			01
R379	RD15533R	CARBON RESISTOR (CHIP)	330 1/4W J	チ ッ プ 抵 抗			01
R380	RD15533R	CARBON RESISTOR (CHIP)	330 1/4W J	チ ッ プ 抵 抗			01
R383	RF35718R	CARBON RESISTOR (CHIP)	18K 1/16W D	チ ッ プ 抵 抗			01
R385	RF35639R	CARBON RESISTOR (CHIP)	3.9K 1/16W D	チ ッ プ 抵 抗			01
R387	RF35747R	CARBON RESISTOR (CHIP)	47K 1/16W D	チ ッ プ 抵 抗			01
*	WU729000	CIRCUIT BOARD	BRG1	B R G 1 シ ー ト	DSR215 (WT87300)(YC022D0)		
*	WU729300	CIRCUIT BOARD	BRG2	B R G 2 シ ー ト	DSR115 (WT87310)(YC022D0)		
*	WU729500	CIRCUIT BOARD	BRG3	B R G 3 シ ー ト	DSR112 (WT87320)(YC022D0)		
*	WU728900	CIRCUIT BOARD	IN1	I N 1 シ ー ト	DSR215 (WT87300)(YC022D0)		
*	WU729100	CIRCUIT BOARD	IN2	I N 2 シ ー ト	DSR115 (WT87310)(YC022D0)		
*	WU729400	CIRCUIT BOARD	IN3	I N 3 シ ー ト	DSR112 (WT87320)(YC022D0)		
*	WV348800	CUSHION IN		クッション IN			
	--	LED SPACER		LEDスペーサー	(WF76581)		
	--	WIRE HARNESS	SMV2J P=2.0 4-40	ジャンパーリード	(WU08270)		
	WF765800	SPACER LED3		スペーサル LED 3			
C701	US062220	CERAMIC CAPACITOR-SL(CHIP)	220pF 50V J	チップセラ (S L)			01
-706	US062220	CERAMIC CAPACITOR-SL(CHIP)	220pF 50V J	チップセラ (S L)			01
C801	US064100	CERAMIC CAPACITOR-B (CHIP)	0.01uF 50V K	チップセラ (B)			01
C802	UR867100	ELECTROLYTIC CAPACITOR	10uF 50V	ケ ミ コ ン			01
C803	UR857470	ELECTROLYTIC CAPACITOR	47uF 35V	ケ ミ コ ン			01
C804	UR857470	ELECTROLYTIC CAPACITOR	47uF 35V	ケ ミ コ ン			01
C806	US064100	CERAMIC CAPACITOR-B (CHIP)	0.01uF 50V K	チップセラ (B)			01
C808	UR867100	ELECTROLYTIC CAPACITOR	10uF 50V	ケ ミ コ ン			01
C810	US062100	CERAMIC CAPACITOR-SL(CHIP)	100pF 50V J	チップセラ (S L)			01
C811	US062100	CERAMIC CAPACITOR-SL(CHIP)	100pF 50V J	チップセラ (S L)			01
C813	UR828470	ELECTROLYTIC CAPACITOR	470uF 10V	ケ ミ コ ン			01
C816	US061470	CERAMIC CAPACITOR-CH(CHIP)	47pF 50V J	チップセラ (C H)			01
C817	UR867100	ELECTROLYTIC CAPACITOR	10uF 50V	ケ ミ コ ン			01
C818	UR867100	ELECTROLYTIC CAPACITOR	10uF 50V	ケ ミ コ ン			01
C819	US061470	CERAMIC CAPACITOR-CH(CHIP)	47pF 50V J	チップセラ (C H)			01
C824	UR867100	ELECTROLYTIC CAPACITOR	10uF 50V	ケ ミ コ ン			01
C914	US063100	CERAMIC CAPACITOR-B (CHIP)	1000pF 50V K	チップセラ (B)			01
C915	US063100	CERAMIC CAPACITOR-B (CHIP)	1000pF 50V K	チップセラ (B)			01
C921	US063100	CERAMIC CAPACITOR-B (CHIP)	1000pF 50V K	チップセラ (B)			01
CN701	V1878200	CONNECTOR	51048 4P TE	ケーブルホルダー			01
CN801	V1878200	CONNECTOR	51048 4P TE	ケーブルホルダー			01
CN803	WD96190R	CONNECTOR	GSHD206 20P FEMALE	コネクタ-メスヘッダー			
CN804	WD96190R	CONNECTOR	GSHD206 20P FEMALE	コネクタ-メスヘッダー			
* CN901	WG423900	HEADER	GSHD206 18P TE	メスヘッダー			
* CN902	WG423900	HEADER	GSHD206 18P TE	メスヘッダー			
CN903	VK02560R	WIRE TRAP	52147 12P TE	ワイヤートラップ			01
CN904	VJ86160R	WIRE TRAP	52147 16P TE	ワイヤートラップ			01
CN905	VB390200	CONNECTOR BASE POST	PH 6P TE	コネクタベースポスト			01

* : New Parts

RANK: Japan only

BRG1, BRG2, BRG3, IN1, IN2, IN3, BRG4 and IN4

REF NO.	PART NO.	DESCRIPTION		部 品 名	REMARKS	QTY	RANK
CN906	VB38980R	CONNECTOR, BASE POST	PH 2P TE	ベースポスト			01
CN907	VB39010R	CONNECTOR, BASE POST	PH 5P TE	ベースポスト			01
D801	WG139300	DIODE	KDS4148U-RTK/P	ダイオード			
D802	WG139300	DIODE	KDS4148U-RTK/P	ダイオード			
EM701	V1243100	LC FILTER	DSS6NB32A271Q93A	LCフィルタ			01
EM702	V1243100	LC FILTER	DSS6NB32A271Q93A	LCフィルタ			01
IC801	X3505A00	IC	NJM2068M-D(TE2)	IC	OP AMP		02
IC802	X3505A00	IC	NJM2068M-D(TE2)	IC	OP AMP		02
JK701	WG848700	CANNON CONNECTOR	NC3FAAV2-0-Y	キャノンコネクタ	INPUT		03
JK702	WH919000	PHONE JACK	ST MSJ-064-30B B	ホンコネクタ	INPUT		01
JK703	WG848800	CANNON CONNECTOR	NC3MAAV-0-Y	キャノンコネクタ	OUTPUT		03
K901	VB966900	STYLE PIN	IMS4-6024 L=35	スタイルピン L=35			01
LD801	WA09750R	LED (GREEN)	HFG203PJ-3-00	L E D	POWER		01
LD802	V979040R	LED (RED)	HFR203PJ-3-00	L E D	LIMIT		01
LD803	V979040R	LED (RED)	HFR203PJ-3-00	L E D	PROTECTION		01
LD804	V985450R	LED (YELLOW)	HFY803037P-50-00	L E D	D-CONTOUR		01
LD805	V985450R	LED (YELLOW)	HFY803037P-50-00	L E D	HPF		01
LD806	V979040R	LED (RED)	HFR203PJ-3-00	L E D	PEAK		01
Q801	VV655600	DIGITAL TRANSISTOR	DTC143EKA TP	デジタルトランジスタ			01
-806	VV655600	DIGITAL TRANSISTOR	DTC143EKA TP	デジタルトランジスタ			01
R801	RD355680	CARBON RESISTOR (CHIP)	680 1/16W J	チップ抵抗			01
R802	RD350001	CARBON RESISTOR (CHIP)	0 1/16W J	チップ抵抗	DSR112,DSR215		01
R803	RD350001	CARBON RESISTOR (CHIP)	0 1/16W J	チップ抵抗	DSR112,DSR115		01
R804	RD350001	CARBON RESISTOR (CHIP)	0 1/16W J	チップ抵抗			01
R805	RD350001	CARBON RESISTOR (CHIP)	0 1/16W J	チップ抵抗			01
R806	RD355680	CARBON RESISTOR (CHIP)	680 1/16W J	チップ抵抗			01
R807	RF35810R	CARBON RESISTOR (CHIP)	100K 1/16W D	チップ抵抗			01
R808	RF35810R	CARBON RESISTOR (CHIP)	100K 1/16W D	チップ抵抗			01
R809	RD355680	CARBON RESISTOR (CHIP)	680 1/16W J	チップ抵抗			01
R810	RF35618R	CARBON RESISTOR (CHIP)	1.8K 1/16W D	チップ抵抗			01
R811	RF35618R	CARBON RESISTOR (CHIP)	1.8K 1/16W D	チップ抵抗			01
R812	RF35718R	CARBON RESISTOR (CHIP)	18K 1/16W D	チップ抵抗			01
R813	RF35647R	CARBON RESISTOR (CHIP)	4.7K 1/16W D	チップ抵抗			01
-816	RF35647R	CARBON RESISTOR (CHIP)	4.7K 1/16W D	チップ抵抗			01
R817	RF357100	CARBON RESISTOR (CHIP)	10K 1/16W D	チップ抵抗			01
R818	RF355270	CARBON RESISTOR (CHIP)	270 1/16W D	チップ抵抗			01
R819	RF356330	CARBON RESISTOR (CHIP)	3.3K 1/16W D	チップ抵抗			01
R820	RD355680	CARBON RESISTOR (CHIP)	680 1/16W J	チップ抵抗			01
R821	RD355680	CARBON RESISTOR (CHIP)	680 1/16W J	チップ抵抗			01
R822	RF357100	CARBON RESISTOR (CHIP)	10K 1/16W D	チップ抵抗			01
R823	RF357100	CARBON RESISTOR (CHIP)	10K 1/16W D	チップ抵抗			01
R824	RD35433R	CARBON RESISTOR (CHIP)	33 1/16W J	チップ抵抗			01
R825	RD355680	CARBON RESISTOR (CHIP)	680 1/16W J	チップ抵抗			01
R826	RD35433R	CARBON RESISTOR (CHIP)	33 1/16W J	チップ抵抗			01
R831	RF35739R	CARBON RESISTOR (CHIP)	39K 1/16W D	チップ抵抗			01
R833	RD355100	CARBON RESISTOR (CHIP)	100 1/16W J	チップ抵抗			01
-835	RD355100	CARBON RESISTOR (CHIP)	100 1/16W J	チップ抵抗			01
SW801	WH918800	PUSH SWITCH	PS-42E85L-02	プッシュスイッチ	MIC/LINE		01
SW803	WH918701	PUSH SWITCH	PS-22E85L-02	プッシュスイッチ	HPF		01
SW804	WH918701	PUSH SWITCH	PS-22E85L-02	プッシュスイッチ	D-CONTOUR		01
SW805	WH918701	PUSH SWITCH	PS-22E85L-02	プッシュスイッチ	FRONT LED DISABLE		01
* VR801	VV349100	ROTARY VR	B20K XV09213YNP	ロータリーVR	LEVEL		
* WU729800		CIRCUIT BOARD	BRG4	BRG4シート	DSR118W (WT87330)(YC024D0)		
* WU729700		CIRCUIT BOARD	IN4	IN4シート	DSR118W (WT87330)(YC024D0)		
* WV348800		CUSHION IN		クッションIN		2	
WF765800		SPACER LED3		スペーサルED3		4	
--		LED SPACER		LEDスペーサー	(WF76581)		
--		WIRE HARNESS	SMV2J P=2.0 4-40	ジャンパーリード	(WU08270)		
C101	US062220	CERAMIC CAPACITOR-SL(CHIP)	220pF 50V J	チップセラ(SL)			01
-108	US062220	CERAMIC CAPACITOR-SL(CHIP)	220pF 50V J	チップセラ(SL)			01
C109	UR857470	ELECTROLYTIC CAPACITOR	47uF 35V	ケミコン			01
-113	UR857470	ELECTROLYTIC CAPACITOR	47uF 35V	ケミコン			01
C115	US062220	CERAMIC CAPACITOR-SL(CHIP)	220pF 50V J	チップセラ(SL)			01
C117	US062220	CERAMIC CAPACITOR-SL(CHIP)	220pF 50V J	チップセラ(SL)			01
C119	US062220	CERAMIC CAPACITOR-SL(CHIP)	220pF 50V J	チップセラ(SL)			01
C120	US062220	CERAMIC CAPACITOR-SL(CHIP)	220pF 50V J	チップセラ(SL)			01
C122	UR857470	ELECTROLYTIC CAPACITOR	47uF 35V	ケミコン			01
C123	US062220	CERAMIC CAPACITOR-SL(CHIP)	220pF 50V J	チップセラ(SL)			01
C124	V3159300	MONOLITHIC MYLAR CAPACITOR	15uF 50V J	積層マイラーコン			02

* : New Parts

RANK: Japan only

BRG4 and IN4

REF NO.	PART NO.	DESCRIPTION	部 品 名	REMARKS	QTY	RANK
C125	US064100	CERAMIC CAPACITOR-B (CHIP)	0.01uF 50V K	チップセラ (B)		01
C126	VR168500	MONOLITHIC MYLAR CAPACITOR	0.15uF 50V	積層マイラーコン		01
C127	VR168500	MONOLITHIC MYLAR CAPACITOR	0.15uF 50V	積層マイラーコン		01
C128	US064100	CERAMIC CAPACITOR-B (CHIP)	0.01uF 50V K	チップセラ (B)		01
C201	V3159300	MONOLITHIC MYLAR CAPACITOR	1.5uF 50V J	積層マイラーコン		02
C202	VR168300	MONOLITHIC MYLAR CAPACITOR	0.1uF 50V	積層マイラーコン		01
C203	US062220	CERAMIC CAPACITOR-SL(CHIP)	220pF 50V J	チップセラ (S L)		01
C204	UA954820	POLYESTER FILM CAPACITOR	0.082uF 50V J	マイラーコン		01
C204	UA354820	POLYESTER FILM CAPACITOR	0.082uF 50V J	マイラーコン		01
C205	VR168300	MONOLITHIC MYLAR CAPACITOR	0.1uF 50V	積層マイラーコン		01
C206	UR865220	ELECTROLYTIC CAPACITOR	0.22uF 50V	ケミコン		01
C207	VR168600	MONOLITHIC POLYESTER F. CAP.	ECQ-V1H184JL3	積層マイラーコン		01
C208	UA354820	POLYESTER FILM CAPACITOR	0.082uF 50V J	マイラーコン		01
C208	UA954820	POLYESTER FILM CAPACITOR	0.082uF 50V J	マイラーコン		01
C209	UA353560	POLYESTER FILM CAPACITOR	5600pF 50V J	マイラーコン		01
C210	US062220	CERAMIC CAPACITOR-SL(CHIP)	220pF 50V J	チップセラ (S L)		01
C211	UR857470	ELECTROLYTIC CAPACITOR	47uF 35V	ケミコン		01
C212	UR857470	ELECTROLYTIC CAPACITOR	47uF 35V	ケミコン		01
C215	UR857470	ELECTROLYTIC CAPACITOR	47uF 35V	ケミコン		01
C216	US064100	CERAMIC CAPACITOR-B (CHIP)	0.01uF 50V K	チップセラ (B)		01
C217	US064100	CERAMIC CAPACITOR-B (CHIP)	0.01uF 50V K	チップセラ (B)		01
C219	US064100	CERAMIC CAPACITOR-B (CHIP)	0.01uF 50V K	チップセラ (B)		01
C220	US064100	CERAMIC CAPACITOR-B (CHIP)	0.01uF 50V K	チップセラ (B)		01
C222	US064100	CERAMIC CAPACITOR-B (CHIP)	0.01uF 50V K	チップセラ (B)		01
C225	US064100	CERAMIC CAPACITOR-B (CHIP)	0.01uF 50V K	チップセラ (B)		01
C226	US062220	CERAMIC CAPACITOR-SL(CHIP)	220pF 50V J	チップセラ (S L)		01
C915	US063100	CERAMIC CAPACITOR-B (CHIP)	1000pF 50V K	チップセラ (B)		01
C921	US063100	CERAMIC CAPACITOR-B (CHIP)	1000pF 50V K	チップセラ (B)		01
CN101	V1878200	CONNECTOR	51048 4P TE	ケーブルホルダー		01
CN201	V1878200	CONNECTOR	51048 4P TE	ケーブルホルダー		01
CN202	WD96190R	CONNECTOR	GSHD206 20P FEMALE	コネクタメスヘッダー		
* CN901	WG423900	HEADER	GSHD206 18P TE	メスヘッダー		
* CN902	WG423900	HEADER	GSHD206 18P TE	メスヘッダー		
CN903	VK02560R	WIRE TRAP	52147 12P TE	ワイヤートラップ		01
CN904	VJ86160R	WIRE TRAP	52147 16P TE	ワイヤートラップ		01
CN905	VB390200	CONNECTOR BASE POST	PH 6P TE	コネクタベースポスト		01
CN906	VB38980R	CONNECTOR, BASE POST	PH 2P TE	ベースポスト		01
CN907	VB39010R	CONNECTOR, BASE POST	PH 5P TE	ベースポスト		01
D101	WG139300	DIODE	KDS4148U-RTK/P	ダイオード		
-104	WG139300	DIODE	KDS4148U-RTK/P	ダイオード		
EM101	V1243100	LC FILTER	DSS6NB32A271Q93A	LCフィルタ		01
-104	V1243100	LC FILTER	DSS6NB32A271Q93A	LCフィルタ		01
IC101	X3505A00	IC	NJM2068M-D(TE2)	OP AMP		02
IC102	X3505A00	IC	NJM2068M-D(TE2)	OP AMP		02
IC201	X3505A00	IC	NJM2068M-D(TE2)	OP AMP		02
-203	X3505A00	IC	NJM2068M-D(TE2)	OP AMP		02
JK101	WG848700	CANNON CONNECTOR	NC3FAAV2-0-Y	キャノンコネクタ	INPUT L	03
JK102	WG848800	CANNON CONNECTOR	NC3MAAV-0-Y	キャノンコネクタ	OUTPUT L (THRU)	03
JK103	WG848700	CANNON CONNECTOR	NC3FAAV2-0-Y	キャノンコネクタ	INPUT R	03
JK104	WG848800	CANNON CONNECTOR	NC3MAAV-0-Y	キャノンコネクタ	OUTPUT R (THRU)	03
K901	VB966900	STYLE PIN	IMSA-6024 L=35	スタイルピン L=35		01
LD201	WA09750R	LED (GREEN)	HFG203PJ-3-00	L E D	POWER	01
LD202	V979040R	LED (RED)	HFR203PJ-3-00	L E D	PEAK	01
LD203	V979040R	LED (RED)	HFR203PJ-3-00	L E D	PROTECTION	01
LD204	V979040R	LED (RED)	HFR203PJ-3-00	L E D	LIMIT	01
Q201	WC52950R	TRANSISTOR	KTA1504S-Y,GR-RTK/	トランジスタ		
Q202	WC52940R	TRANSISTOR	KTC3875S-Y,GR-RTK/	トランジスタ		
Q203	WC52950R	TRANSISTOR	KTA1504S-Y,GR-RTK/	トランジスタ		01
Q205	WC52940R	TRANSISTOR	KTC3875S-Y,GR-RTK/	トランジスタ		01
R101	RF35722R	CARBON RESISTOR (CHIP)	22K 1/16W D	チップ抵抗		01
R102	RF35810R	CARBON RESISTOR (CHIP)	100K 1/16W D	チップ抵抗		01
R103	RF35722R	CARBON RESISTOR (CHIP)	22K 1/16W D	チップ抵抗		01
R104	RF35810R	CARBON RESISTOR (CHIP)	100K 1/16W D	チップ抵抗		01
-106	RF35810R	CARBON RESISTOR (CHIP)	100K 1/16W D	チップ抵抗		01
R107	RF357100	CARBON RESISTOR (CHIP)	10K 1/16W D	チップ抵抗		01
-110	RF357100	CARBON RESISTOR (CHIP)	10K 1/16W D	チップ抵抗		01
R111	RF35668R	CARBON RESISTOR (CHIP)	6.8K 1/16W D	チップ抵抗		01
-114	RF35668R	CARBON RESISTOR (CHIP)	6.8K 1/16W D	チップ抵抗		01
R115	RF357100	CARBON RESISTOR (CHIP)	10K 1/16W D	チップ抵抗		01
-117	RF357100	CARBON RESISTOR (CHIP)	10K 1/16W D	チップ抵抗		01

* : New Parts

RANK: Japan only

BRG4, IN4 and DSP

REF NO.	PART NO.	DESCRIPTION		部 品 名	REMARKS	QTY	RANK
R118	RF35647R	CARBON RESISTOR (CHIP)	4.7K 1/16W D	チ ッ プ 抵 抗			01
R120	RF35712R	CARBON RESISTOR (CHIP)	12K 1/16W D	チ ッ プ 抵 抗			01
R121	RF35739R	CARBON RESISTOR (CHIP)	39K 1/16W D	チ ッ プ 抵 抗			01
R201	RD15627R	CARBON RESISTOR (CHIP)	2.7K 1/4W J	チ ッ プ 抵 抗			01
R202	RF35739R	CARBON RESISTOR (CHIP)	39K 1/16W D	チ ッ プ 抵 抗			01
R203	RD156220	CARBON RESISTOR (CHIP)	2.2K 1/4W J	チ ッ プ 抵 抗			01
R205	RF35633R	CARBON RESISTOR (CHIP)	3.3K 1/16W D	チ ッ プ 抵 抗			01
R206	RF35722R	CARBON RESISTOR (CHIP)	22K 1/16W D	チ ッ プ 抵 抗			01
R207	RD15627R	CARBON RESISTOR (CHIP)	2.7K 1/4W J	チ ッ プ 抵 抗			01
R208	RF355560	CARBON RESISTOR (CHIP)	560 1/16W D	チ ッ プ 抵 抗			01
R209	RF35618R	CARBON RESISTOR (CHIP)	1.8K 1/16W D	チ ッ プ 抵 抗			01
R210	RF358120	CARBON RESISTOR (CHIP)	120K 1/16W D	チ ッ プ 抵 抗			01
R211	RF35668R	CARBON RESISTOR (CHIP)	6.8K 1/16W D	チ ッ プ 抵 抗			01
R212	RF35682R	CARBON RESISTOR (CHIP)	8.2K 1/16W D	チ ッ プ 抵 抗			01
R213	RD358100	CARBON RESISTOR (CHIP)	100K 1/16W J	チ ッ プ 抵 抗			01
R214	RF35682R	CARBON RESISTOR (CHIP)	8.2K 1/16W D	チ ッ プ 抵 抗			01
R215	RF35810R	CARBON RESISTOR (CHIP)	100K 1/16W D	チ ッ プ 抵 抗			01
R216	RF35682R	CARBON RESISTOR (CHIP)	8.2K 1/16W D	チ ッ プ 抵 抗			01
R217	RD15627R	CARBON RESISTOR (CHIP)	2.7K 1/4W J	チ ッ プ 抵 抗			01
R218	RD358100	CARBON RESISTOR (CHIP)	100K 1/16W J	チ ッ プ 抵 抗			01
R219	RF35647R	CARBON RESISTOR (CHIP)	4.7K 1/16W D	チ ッ プ 抵 抗			01
R220	RD357220	CARBON RESISTOR (CHIP)	22K 1/16W J	チ ッ プ 抵 抗			01
R221	RF35682R	CARBON RESISTOR (CHIP)	8.2K 1/16W D	チ ッ プ 抵 抗			01
R222	RD15627R	CARBON RESISTOR (CHIP)	2.7K 1/4W J	チ ッ プ 抵 抗			01
R223	RD358100	CARBON RESISTOR (CHIP)	100K 1/16W J	チ ッ プ 抵 抗			01
R224	RF35747R	CARBON RESISTOR (CHIP)	47K 1/16W D	チ ッ プ 抵 抗			01
R225	RF358120	CARBON RESISTOR (CHIP)	120K 1/16W D	チ ッ プ 抵 抗			01
R226	RF357100	CARBON RESISTOR (CHIP)	10K 1/16W D	チ ッ プ 抵 抗			01
R227	RF357100	CARBON RESISTOR (CHIP)	10K 1/16W D	チ ッ プ 抵 抗			01
R228	RD35747R	CARBON RESISTOR (CHIP)	47K 1/16W D	チ ッ プ 抵 抗			01
R229	RD35747R	CARBON RESISTOR (CHIP)	47K 1/16W D	チ ッ プ 抵 抗			01
R241	RD358100	CARBON RESISTOR (CHIP)	100K 1/16W J	チ ッ プ 抵 抗			01
R242	RD357390	CARBON RESISTOR (CHIP)	39K 1/16W J	チ ッ プ 抵 抗			01
R243	RF35647R	CARBON RESISTOR (CHIP)	4.7K 1/16W D	チ ッ プ 抵 抗			01
R244	RF357100	CARBON RESISTOR (CHIP)	10K 1/16W D	チ ッ プ 抵 抗			01
SW201	WH918701	PUSH SWITCH	PS-22E85L-02	プ ッ シ ュ ス イ ッ チ	POLARITY		01
SW202	WH918701	PUSH SWITCH	PS-22E85L-02	プ ッ シ ュ ス イ ッ チ	FRONT LED DISABLE		01
VR201	V979100R	ROTARY VARIABLE RES.	B20K XV09213YNP	ロ ー タ リ ー V R	LEVEL		03
*	WT871400	CIRCUIT BOARD	DSP	D S P シ ー ト	DSR112,DSR115,DSR215		
					(YC023D0)		
C101	US06115R	CERAMIC CAPACITOR (CHIP)	15pF 50V J	チ ッ プ セ ラ (C H)			01
C102	US061220	CERAMIC CAPACITOR-CH(CHIP)	22pF 50V J	チ ッ プ セ ラ (C H)			01
C103	US035100	CERAMIC CAPACITOR-B (CHIP)	0.1uF 16V K	チ ッ プ セ ラ (B)			01
-109	US035100	CERAMIC CAPACITOR-B (CHIP)	0.1uF 16V K	チ ッ プ セ ラ (B)			01
C120	US035100	CERAMIC CAPACITOR-B (CHIP)	0.1uF 16V K	チ ッ プ セ ラ (B)			01
C121	US035100	CERAMIC CAPACITOR-B (CHIP)	0.1uF 16V K	チ ッ プ セ ラ (B)			01
C123	UF03722R	ELECTROLYTIC CAPACITOR	22uF 16V	チ ッ プ ケ ミ コ ン			01
C125	US035100	CERAMIC CAPACITOR-B (CHIP)	0.1uF 16V K	チ ッ プ セ ラ (B)			01
-128	US035100	CERAMIC CAPACITOR-B (CHIP)	0.1uF 16V K	チ ッ プ セ ラ (B)			01
C129	UF03722R	ELECTROLYTIC CAPACITOR	22uF 16V	チ ッ プ ケ ミ コ ン			01
C131	US064100	CERAMIC CAPACITOR-B (CHIP)	0.01uF 50V K	チ ッ プ セ ラ (B)			01
C132	US035100	CERAMIC CAPACITOR-B (CHIP)	0.1uF 16V K	チ ッ プ セ ラ (B)			01
C133	US035100	CERAMIC CAPACITOR-B (CHIP)	0.1uF 16V K	チ ッ プ セ ラ (B)			01
C134	UF03722R	ELECTROLYTIC CAPACITOR	22uF 16V	チ ッ プ ケ ミ コ ン			01
C135	US064100	CERAMIC CAPACITOR-B (CHIP)	0.01uF 50V K	チ ッ プ セ ラ (B)			01
C136	UF03722R	ELECTROLYTIC CAPACITOR	22uF 16V	チ ッ プ ケ ミ コ ン			01
C137	US035100	CERAMIC CAPACITOR-B (CHIP)	0.1uF 16V K	チ ッ プ セ ラ (B)			01
C138	US035100	CERAMIC CAPACITOR-B (CHIP)	0.1uF 16V K	チ ッ プ セ ラ (B)			01
C139	UF03722R	ELECTROLYTIC CAPACITOR	22uF 16V	チ ッ プ ケ ミ コ ン			01
C140	US035100	CERAMIC CAPACITOR-B (CHIP)	0.1uF 16V K	チ ッ プ セ ラ (B)			01
C141	UF03722R	ELECTROLYTIC CAPACITOR	22uF 16V	チ ッ プ ケ ミ コ ン			01
C142	US035100	CERAMIC CAPACITOR-B (CHIP)	0.1uF 16V K	チ ッ プ セ ラ (B)			01
C143	US035100	CERAMIC CAPACITOR-B (CHIP)	0.1uF 16V K	チ ッ プ セ ラ (B)			01
C144	UF03722R	ELECTROLYTIC CAPACITOR	22uF 16V	チ ッ プ ケ ミ コ ン			01
C145	US035100	CERAMIC CAPACITOR-B (CHIP)	0.1uF 16V K	チ ッ プ セ ラ (B)			01
C146	US06115R	CERAMIC CAPACITOR (CHIP)	15pF 50V J	チ ッ プ セ ラ (C H)			01
C147	US06115R	CERAMIC CAPACITOR (CHIP)	15pF 50V J	チ ッ プ セ ラ (C H)			01
C148	US062100	CERAMIC CAPACITOR-SL(CHIP)	100pF 50V J	チ ッ プ セ ラ (S L)			01
C149	UF03722R	ELECTROLYTIC CAPACITOR	22uF 16V	チ ッ プ ケ ミ コ ン			01

* : New Parts

RANK: Japan only

DSP

REF NO.	PART NO.	DESCRIPTION		部 品 名	REMARKS	QTY	RANK
C150	US035100	CERAMIC CAPACITOR-B (CHIP)	0.1uF 16V K	チップセラ (B)			01
-153	US035100	CERAMIC CAPACITOR-B (CHIP)	0.1uF 16V K	チップセラ (B)			01
C154	UF03722R	ELECTROLYTIC CAPACITOR	22uF 16V	チップケミコン			01
C155	US035100	CERAMIC CAPACITOR-B (CHIP)	0.1uF 16V K	チップセラ (B)			01
-158	US035100	CERAMIC CAPACITOR-B (CHIP)	0.1uF 16V K	チップセラ (B)			01
C160	US064100	CERAMIC CAPACITOR-B (CHIP)	0.01uF 50V K	チップセラ (B)			01
C163	US035100	CERAMIC CAPACITOR-B (CHIP)	0.1uF 16V K	チップセラ (B)			01
-177	US035100	CERAMIC CAPACITOR-B (CHIP)	0.1uF 16V K	チップセラ (B)			01
C201	US035100	CERAMIC CAPACITOR-B (CHIP)	0.1uF 16V K	チップセラ (B)			01
C202	US035100	CERAMIC CAPACITOR-B (CHIP)	0.1uF 16V K	チップセラ (B)			01
C203	UF03722R	ELECTROLYTIC CAPACITOR	22uF 16V	チップケミコン			01
* C204	WB575300	POLYESTER FILM CAP. (CHIP)	1800pF 50V J	チップマイラー			
* C205	WB575300	POLYESTER FILM CAP. (CHIP)	1800pF 50V J	チップマイラー			
C206	WB57250R	MYLAR CAPACITOR (CHIP)	0.01uF 16V J	チップマイラー			01
C207	UF03722R	ELECTROLYTIC CAPACITOR	22uF 16V	チップケミコン			01
C208	US064100	CERAMIC CAPACITOR-B (CHIP)	0.01uF 50V K	チップセラ (B)			01
C209	UF03722R	ELECTROLYTIC CAPACITOR	22uF 16V	チップケミコン			01
C210	US035100	CERAMIC CAPACITOR-B (CHIP)	0.1uF 16V K	チップセラ (B)			01
C211	US135220	CERAMIC CAPACITOR-F (CHIP)	0.22uF 16V Z	チップセラ (F)			01
C212	US035100	CERAMIC CAPACITOR-B (CHIP)	0.1uF 16V K	チップセラ (B)			01
C213	UF03722R	ELECTROLYTIC CAPACITOR	22uF 16V	チップケミコン			01
C214	US035100	CERAMIC CAPACITOR-B (CHIP)	0.1uF 16V K	チップセラ (B)			01
C215	UF03722R	ELECTROLYTIC CAPACITOR	22uF 16V	チップケミコン			01
C216	WB57250R	MYLAR CAPACITOR (CHIP)	0.01uF 16V J	チップマイラー			01
C217	US135220	CERAMIC CAPACITOR-F (CHIP)	0.22uF 16V Z	チップセラ (F)			01
C301	US035100	CERAMIC CAPACITOR-B (CHIP)	0.1uF 16V K	チップセラ (B)			01
C302	UF03722R	ELECTROLYTIC CAPACITOR	22uF 16V	チップケミコン			01
C303	US035100	CERAMIC CAPACITOR-B (CHIP)	0.1uF 16V K	チップセラ (B)			01
-305	US035100	CERAMIC CAPACITOR-B (CHIP)	0.1uF 16V K	チップセラ (B)			01
C306	UF03722R	ELECTROLYTIC CAPACITOR	22uF 16V	チップケミコン			01
-308	UF03722R	ELECTROLYTIC CAPACITOR	22uF 16V	チップケミコン			01
* C309	WB575100	POLYESTER FILM CAP. (CHIP)	1200pF 50V J	チップマイラー			
* C310	WB575100	POLYESTER FILM CAP. (CHIP)	1200pF 50V J	チップマイラー			
C311	WB57420R	MYLAR CAPACITOR (CHIP)	220pF 50V J	チップマイラー			01
-314	WB57420R	MYLAR CAPACITOR (CHIP)	220pF 50V J	チップマイラー			01
C315	US035100	CERAMIC CAPACITOR-B (CHIP)	0.1uF 16V K	チップセラ (B)			01
-328	US035100	CERAMIC CAPACITOR-B (CHIP)	0.1uF 16V K	チップセラ (B)			01
C329	US061470	CERAMIC CAPACITOR-CH(CHIP)	47pF 50V J	チップセラ (C H)			01
C330	US061470	CERAMIC CAPACITOR-CH(CHIP)	47pF 50V J	チップセラ (C H)			01
C331	US035100	CERAMIC CAPACITOR-B (CHIP)	0.1uF 16V K	チップセラ (B)			01
C401	UF14810R	ELECTROLYTIC CAPACITOR	100uF 25V	チップケミコン			01
C402	UF14810R	ELECTROLYTIC CAPACITOR	100uF 25V	チップケミコン			01
C403	US14510R	CERAMIC CAPACITOR-F (CHIP)	0.1uF 25V Z	チップセラ (F)			01
C404	US14510R	CERAMIC CAPACITOR-F (CHIP)	0.1uF 25V Z	チップセラ (F)			01
C405	WN422300	ELECTROLYTIC CAPACITOR (CHIP)	47uF 35V	チップケミコン U D			01
C406	WN422300	ELECTROLYTIC CAPACITOR (CHIP)	47uF 35V	チップケミコン U D			01
C407	UF05710R	ELECTROLYTIC CAPACITOR	10uF 35V	チップケミコン			01
C408	UF05710R	ELECTROLYTIC CAPACITOR	10uF 35V	チップケミコン			01
C409	US062150	CERAMIC CAPACITOR-SL(CHIP)	150pF 50V J	チップセラ (S L)			01
C410	US06256R	CERAMIC CAPACITOR-SL (CHIP)	560pF 50V J	チップセラ (S L)			01
C411	UF03722R	ELECTROLYTIC CAPACITOR	22uF 16V	チップケミコン			01
C412	UF03722R	ELECTROLYTIC CAPACITOR	22uF 16V	チップケミコン			01
C413	WC40450R	ELECTROLYTIC CAPACITOR (CHIP)	150uF 10V	チップケミコン			01
C414	WC40450R	ELECTROLYTIC CAPACITOR (CHIP)	150uF 10V	チップケミコン			01
C415	UF03722R	ELECTROLYTIC CAPACITOR	22uF 16V	チップケミコン			01
C416	UF03810R	ELECTROLYTIC CAPACITOR(CHIP)	100uF 16V	チップケミコン			01
C419	US035100	CERAMIC CAPACITOR-B (CHIP)	0.1uF 16V K	チップセラ (B)			01
C420	US035100	CERAMIC CAPACITOR-B (CHIP)	0.1uF 16V K	チップセラ (B)			01
C421	US14510R	CERAMIC CAPACITOR-F (CHIP)	0.1uF 25V Z	チップセラ (F)			01
C422	US14510R	CERAMIC CAPACITOR-F (CHIP)	0.1uF 25V Z	チップセラ (F)			01
C423	US035100	CERAMIC CAPACITOR-B (CHIP)	0.1uF 16V K	チップセラ (B)			01
C424	US035100	CERAMIC CAPACITOR-B (CHIP)	0.1uF 16V K	チップセラ (B)			01
C425	US135220	CERAMIC CAPACITOR-F (CHIP)	0.22uF 16V Z	チップセラ (F)			01
C426	US14510R	CERAMIC CAPACITOR-F (CHIP)	0.1uF 25V Z	チップセラ (F)			01
C427	US14510R	CERAMIC CAPACITOR-F (CHIP)	0.1uF 25V Z	チップセラ (F)			01
* CN101	WS193700	CONNECTOR	GPHA202 20P TE	ピンヘッダ			
* CN102	WS193700	CONNECTOR	GPHA202 20P TE	ピンヘッダ			
* CN103	WS273200	CONNECTOR	GPHA202 18P TE	ピンヘッダ			
* CN104	WS273200	CONNECTOR	GPHA202 18P TE	ピンヘッダ			
D101	V963430R	SHOTTKY DIODE	RB551V-30	ショットキーダイオード			01

* : New Parts

RANK: Japan only

DSP

REF NO.	PART NO.	DESCRIPTION	部 品 名	REMARKS	QTY	RANK
D102	V963430R	SHOTTKY DIODE	RB551V-30	ショットキーダイオード		01
D401	VS59760R	DIODE (CHIP)	RB160L-40 TE25	チップダイオード		01
-407	VS59760R	DIODE (CHIP)	RB160L-40 TE25	チップダイオード		01
DA109	VV55630R	DIODE ARRAY	DAN217 0.3A x2	ダイオードアレイ		01
DA201	V9424900	DIODE ARRAY	TE85L	ダイオードアレイ		01
-204	V9424900	DIODE ARRAY	TE85L	ダイオードアレイ		01
EM401	V6196600	LC FILTER	NFM41PC204F1H3L	チップEMIフィルタ		01
EM402	V6196600	LC FILTER	NFM41PC204F1H3L	チップEMIフィルタ		01
* IC101	YC674C00	IC	R5F212BCSNFP CPU	C		
IC103	XR680A00	IC	TC7SH08FU(TE85L_JF	C	AND	01
* IC104	YA768A00	IC	TAS3204PAGR	C	DSP	
IC105	X3848A0R	IC	S-80130ANMC-JCPT2G	C	SYSTEM RESET	01
IC106	XS775A0R	IC	TC7SH04FU(TE85L_JF	C	INVERTER	01
IC201	X6872A00	IC	PCM1804DBR	C	A/D CONVERTER	07
IC202	X3505A00	IC	NJM2068M-D(TE2)	C	OP AMP	02
IC301	X8324A00	IC	AK4396VF-E2	C	DAC	06
IC302	X3505A00	IC	NJM2068M-D(TE2)	C	OP AMP	02
IC303	X3505A00	IC	NJM2068M-D(TE2)	C	OP AMP	02
IC401	X9482A00	IC	NJM2374AM(TE1)	C	DC-DC CONVERTER	03
IC402	X9482A00	IC	NJM2374AM(TE1)	C	DC-DC CONVERTER	03
IC403	X3942A0R	IC	NJM78M15DL1A	C	REGULATOR	02
IC404	X3943A0R	IC	NJM79M15DL1A	C	REGULATOR	02
IC405	X8260A00	IC	BA50BCOFF-E2 +5V	C	REGULATOR +5V	02
L101	V804510R	INDUCTOR (CHIP)	BLM18BB121SN1D	チップインダクタ		01
-104	V804510R	INDUCTOR (CHIP)	BLM18BB121SN1D	チップインダクタ		01
L106	VU95400R	CHIP INDUCTANCE	BLM21PG300SN1D	チップインダクタンス		01
-115	VU95400R	CHIP INDUCTANCE	BLM21PG300SN1D	チップインダクタンス		01
L117	VU95400R	CHIP INDUCTANCE	BLM21PG300SN1D	チップインダクタンス		01
-120	VU95400R	CHIP INDUCTANCE	BLM21PG300SN1D	チップインダクタンス		01
L201	VU95400R	CHIP INDUCTANCE	BLM21PG300SN1D	チップインダクタンス		01
L202	VU95400R	CHIP INDUCTANCE	BLM21PG300SN1D	チップインダクタンス		01
L203	V804510R	INDUCTOR (CHIP)	BLM18BB121SN1D	チップインダクタ		01
L301	VU95400R	CHIP INDUCTANCE	BLM21PG300SN1D	チップインダクタンス		01
L302	VU95400R	CHIP INDUCTANCE	BLM21PG300SN1D	チップインダクタンス		01
L401	WN421600	COIL INDUCTOR CHIP	470uH	チップインダクタ		03
L402	WN421600	COIL INDUCTOR CHIP	470uH	チップインダクタ		03
L403	VU95400R	CHIP INDUCTANCE	BLM21PG300SN1D	チップインダクタンス		01
L404	VU95400R	CHIP INDUCTANCE	BLM21PG300SN1D	チップインダクタンス		01
L405	WN421600	COIL INDUCTOR CHIP	470uH	チップインダクタ		03
L406	WN421600	COIL INDUCTOR CHIP	470uH	チップインダクタ		03
Q101	WC434800	DIGITAL TRANSISTOR	KRA102S-RTK/P	デジタルトランジスタ		01
Q102	VV655400	DIGITAL TRANSISTOR	DTC114EKA	デジタルトランジスタ		01
R101	RD355100	CARBON RESISTOR (CHIP)	100 1/16W J	チップ抵抗		01
R102	RD357100	CARBON RESISTOR (CHIP)	10K 1/16W J	チップ抵抗		01
R103	RD357100	CARBON RESISTOR (CHIP)	10K 1/16W J	チップ抵抗		01
R105	RD354470	CARBON RESISTOR (CHIP)	47 1/16W J	チップ抵抗		01
R106	RD359100	CARBON RESISTOR (CHIP)	1.0M 1/16W J	チップ抵抗		01
R107	RD355100	CARBON RESISTOR (CHIP)	100 1/16W J	チップ抵抗		01
-111	RD355100	CARBON RESISTOR (CHIP)	100 1/16W J	チップ抵抗		01
R112	RD356470	CARBON RESISTOR (CHIP)	4.7K 1/16W J	チップ抵抗		01
R113	RD357100	CARBON RESISTOR (CHIP)	10K 1/16W J	チップ抵抗		01
R114	RD355100	CARBON RESISTOR (CHIP)	100 1/16W J	チップ抵抗		01
R115	RD357100	CARBON RESISTOR (CHIP)	10K 1/16W J	チップ抵抗		01
R116	RD350001	CARBON RESISTOR (CHIP)	0 1/16W J	チップ抵抗		01
R117	RD350001	CARBON RESISTOR (CHIP)	0 1/16W J	チップ抵抗		01
R118	RD357100	CARBON RESISTOR (CHIP)	10K 1/16W J	チップ抵抗		01
R119	RD357100	CARBON RESISTOR (CHIP)	10K 1/16W J	チップ抵抗		01
R120	RD355100	CARBON RESISTOR (CHIP)	100 1/16W J	チップ抵抗		01
R121	RD357100	CARBON RESISTOR (CHIP)	10K 1/16W J	チップ抵抗		01
R122	RD355100	CARBON RESISTOR (CHIP)	100 1/16W J	チップ抵抗		01
R123	RD359100	CARBON RESISTOR (CHIP)	1.0M 1/16W J	チップ抵抗		01
R125	RD357100	CARBON RESISTOR (CHIP)	10K 1/16W J	チップ抵抗		01
R126	RD357100	CARBON RESISTOR (CHIP)	10K 1/16W J	チップ抵抗		01
R127	RD355100	CARBON RESISTOR (CHIP)	100 1/16W J	チップ抵抗		01
-130	RD355100	CARBON RESISTOR (CHIP)	100 1/16W J	チップ抵抗		01
R132	RD357100	CARBON RESISTOR (CHIP)	10K 1/16W J	チップ抵抗		01
-135	RD357100	CARBON RESISTOR (CHIP)	10K 1/16W J	チップ抵抗		01
R137	RD356470	CARBON RESISTOR (CHIP)	4.7K 1/16W J	チップ抵抗		01
R138	RD356470	CARBON RESISTOR (CHIP)	4.7K 1/16W J	チップ抵抗		01
R139	RD355100	CARBON RESISTOR (CHIP)	100 1/16W J	チップ抵抗		01

* : New Parts

RANK: Japan only

DSP

REF NO.	PART NO.	DESCRIPTION		部	品	名	REMARKS	QTY	RANK
R140	RD355100	CARBON RESISTOR (CHIP)	100 1/16W J	チ	ッ	ブ 抵 抗			01
R141	RD35422R	CARBON RESISTOR (CHIP)	22 1/16W J	チ	ッ	ブ 抵 抗			01
R142	RD357100	CARBON RESISTOR (CHIP)	10K 1/16W J	チ	ッ	ブ 抵 抗			01
R143	RD357100	CARBON RESISTOR (CHIP)	10K 1/16W J	チ	ッ	ブ 抵 抗			01
R144	RD35422R	CARBON RESISTOR (CHIP)	22 1/16W J	チ	ッ	ブ 抵 抗			01
R145	RD355100	CARBON RESISTOR (CHIP)	100 1/16W J	チ	ッ	ブ 抵 抗			01
R146	RD355100	CARBON RESISTOR (CHIP)	100 1/16W J	チ	ッ	ブ 抵 抗			01
R147	RD357100	CARBON RESISTOR (CHIP)	10K 1/16W J	チ	ッ	ブ 抵 抗			01
R150	RD355100	CARBON RESISTOR (CHIP)	100 1/16W J	チ	ッ	ブ 抵 抗			01
R152	RD357100	CARBON RESISTOR (CHIP)	10K 1/16W J	チ	ッ	ブ 抵 抗			01
R153	RD359100	CARBON RESISTOR (CHIP)	1.0M 1/16W J	チ	ッ	ブ 抵 抗			01
R154	RD35422R	CARBON RESISTOR (CHIP)	22 1/16W J	チ	ッ	ブ 抵 抗			01
R155	RD357100	CARBON RESISTOR (CHIP)	10K 1/16W J	チ	ッ	ブ 抵 抗			01
R164	RD355100	CARBON RESISTOR (CHIP)	100 1/16W J	チ	ッ	ブ 抵 抗			01
R165	RD355100	CARBON RESISTOR (CHIP)	100 1/16W J	チ	ッ	ブ 抵 抗			01
R169	RD357100	CARBON RESISTOR (CHIP)	10K 1/16W J	チ	ッ	ブ 抵 抗			01
-171	RD357100	CARBON RESISTOR (CHIP)	10K 1/16W J	チ	ッ	ブ 抵 抗			01
R173	RF457220	CARBON RESISTOR (CHIP)	22K 1/16W D	チ	ッ	ブ 抵 抗			01
R174	RD355100	CARBON RESISTOR (CHIP)	100 1/16W J	チ	ッ	ブ 抵 抗			01
R175	RD357100	CARBON RESISTOR (CHIP)	10K 1/16W J	チ	ッ	ブ 抵 抗			01
R176	RD357100	CARBON RESISTOR (CHIP)	10K 1/16W J	チ	ッ	ブ 抵 抗			01
R177	RD354470	CARBON RESISTOR (CHIP)	47 1/16W J	チ	ッ	ブ 抵 抗			01
R178	RD357100	CARBON RESISTOR (CHIP)	10K 1/16W J	チ	ッ	ブ 抵 抗			01
-183	RD357100	CARBON RESISTOR (CHIP)	10K 1/16W J	チ	ッ	ブ 抵 抗			01
R184	RD35422R	CARBON RESISTOR (CHIP)	22 1/16W J	チ	ッ	ブ 抵 抗			01
R185	RD35422R	CARBON RESISTOR (CHIP)	22 1/16W J	チ	ッ	ブ 抵 抗			01
R186	RD357100	CARBON RESISTOR (CHIP)	10K 1/16W J	チ	ッ	ブ 抵 抗			01
R187	RD250000	CARBON RESISTOR (CHIP)	0.0 1/10W J	チ	ッ	ブ 抵 抗			01
R188	RD357100	CARBON RESISTOR (CHIP)	10K 1/16W J	チ	ッ	ブ 抵 抗			01
R189	RD355100	CARBON RESISTOR (CHIP)	100 1/16W J	チ	ッ	ブ 抵 抗			01
R190	RD355100	CARBON RESISTOR (CHIP)	100 1/16W J	チ	ッ	ブ 抵 抗			01
R191	RD250000	CARBON RESISTOR (CHIP)	0.0 1/10W J	チ	ッ	ブ 抵 抗			01
R192	RD357100	CARBON RESISTOR (CHIP)	10K 1/16W J	チ	ッ	ブ 抵 抗			01
-194	RD357100	CARBON RESISTOR (CHIP)	10K 1/16W J	チ	ッ	ブ 抵 抗			01
R201	RF357100	METAL FILM RESISTOR (CHIP)	10K 1/16W D	チ	ッ	ブ 金 被 抵 抗			01
R202	RF356100	METAL FILM RESISTOR (CHIP)	1.0K 1/16W D	チ	ッ	ブ 金 被 抵 抗			01
R203	RF357100	METAL FILM RESISTOR (CHIP)	10K 1/16W D	チ	ッ	ブ 金 被 抵 抗			01
R204	RF356100	METAL FILM RESISTOR (CHIP)	1.0K 1/16W D	チ	ッ	ブ 金 被 抵 抗			01
R205	RD354470	CARBON RESISTOR (CHIP)	47 1/16W J	チ	ッ	ブ 抵 抗			01
R206	RD354470	CARBON RESISTOR (CHIP)	47 1/16W J	チ	ッ	ブ 抵 抗			01
R207	RD355100	CARBON RESISTOR (CHIP)	100 1/16W J	チ	ッ	ブ 抵 抗			01
-210	RD355100	CARBON RESISTOR (CHIP)	100 1/16W J	チ	ッ	ブ 抵 抗			01
R211	RD354680	CARBON RESISTOR (CHIP)	68 1/16W J	チ	ッ	ブ 抵 抗			01
R212	RD354680	CARBON RESISTOR (CHIP)	68 1/16W J	チ	ッ	ブ 抵 抗			01
R213	RF355120	METAL FILM RESISTOR (CHIP)	120 1/16W D	チ	ッ	ブ 金 被 抵 抗			01
R214	RF355120	METAL FILM RESISTOR (CHIP)	120 1/16W D	チ	ッ	ブ 金 被 抵 抗			01
R215	RD354680	CARBON RESISTOR (CHIP)	68 1/16W J	チ	ッ	ブ 抵 抗			01
R216	RD354680	CARBON RESISTOR (CHIP)	68 1/16W J	チ	ッ	ブ 抵 抗			01
R217	RF35582R	CARBON RESISTOR (CHIP)	820 1/16W D	チ	ッ	ブ 抵 抗			01
R218	RF35722R	CARBON RESISTOR (CHIP)	22K 1/16W D	チ	ッ	ブ 抵 抗			01
R301	RD355100	CARBON RESISTOR (CHIP)	100 1/16W J	チ	ッ	ブ 抵 抗			01
R302	RD355100	CARBON RESISTOR (CHIP)	100 1/16W J	チ	ッ	ブ 抵 抗			01
R303	RD355330	CARBON RESISTOR (CHIP)	330 1/16W J	チ	ッ	ブ 抵 抗			01
R304	RD355100	CARBON RESISTOR (CHIP)	100 1/16W J	チ	ッ	ブ 抵 抗			01
R305	RF355100	METAL FILM RESISTOR (CHIP)	100 1/16W D	チ	ッ	ブ 金 被 抵 抗			01
R307	RF355100	METAL FILM RESISTOR (CHIP)	100 1/16W D	チ	ッ	ブ 金 被 抵 抗			01
R309	RF355100	METAL FILM RESISTOR (CHIP)	100 1/16W D	チ	ッ	ブ 金 被 抵 抗			01
R311	RF355100	METAL FILM RESISTOR (CHIP)	100 1/16W D	チ	ッ	ブ 金 被 抵 抗			01
R313	RF35615R	CARBON RESISTOR (CHIP)	1.5K 1/16W D	チ	ッ	ブ 抵 抗			01
-316	RF35615R	CARBON RESISTOR (CHIP)	1.5K 1/16W D	チ	ッ	ブ 抵 抗			01
R317	RF35668R	CARBON RESISTOR (CHIP)	6.8K 1/16W D	チ	ッ	ブ 抵 抗			01
R318	RF35668R	CARBON RESISTOR (CHIP)	6.8K 1/16W D	チ	ッ	ブ 抵 抗			01
R319	RF35615R	CARBON RESISTOR (CHIP)	1.5K 1/16W D	チ	ッ	ブ 抵 抗			01
-322	RF35615R	CARBON RESISTOR (CHIP)	1.5K 1/16W D	チ	ッ	ブ 抵 抗			01
R323	RF35668R	CARBON RESISTOR (CHIP)	6.8K 1/16W D	チ	ッ	ブ 抵 抗			01
R324	RF35668R	CARBON RESISTOR (CHIP)	6.8K 1/16W D	チ	ッ	ブ 抵 抗			01
R327	RD35433R	CARBON RESISTOR (CHIP)	33 1/16W J	チ	ッ	ブ 抵 抗			01
R328	RD35433R	CARBON RESISTOR (CHIP)	33 1/16W J	チ	ッ	ブ 抵 抗			01
R329	RF357100	METAL FILM RESISTOR (CHIP)	10K 1/16W D	チ	ッ	ブ 金 被 抵 抗			01
-332	RF357100	METAL FILM RESISTOR (CHIP)	10K 1/16W D	チ	ッ	ブ 金 被 抵 抗			01

* : New Parts

RANK: Japan only

POWERED SPEAKER

DSR112/DSR115/DSR215/ DSR118W

CIRCUIT DIAGRAM

■ CONTENTS (目次)

BLOCK DIAGRAM (ブロックダイアグラム)

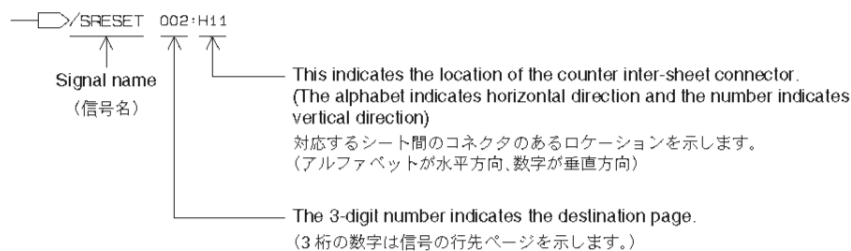
DSR112/DSR115/DSR215	1/2	3
	2/2	4
DSR118W	1/2	5
	2/2	6

OVERALL CIRCUIT DIAGRAM (総回路図)


DSR112/DSR115/DSR215	IN1, IN2, IN3	7
	DSP	8
	BRG1, BRG2, BRG3 and LED	11
	ACIN and AMPS1	12
DSR118W	IN4	16
	ASP	17
	BRG4 and LED	18
	ACIN and AMPS2	19


Notation for Circuit Diagrams (回路図表記上の注意)

How to identify inter-sheet connectors (シート間コネクタの読み方について)



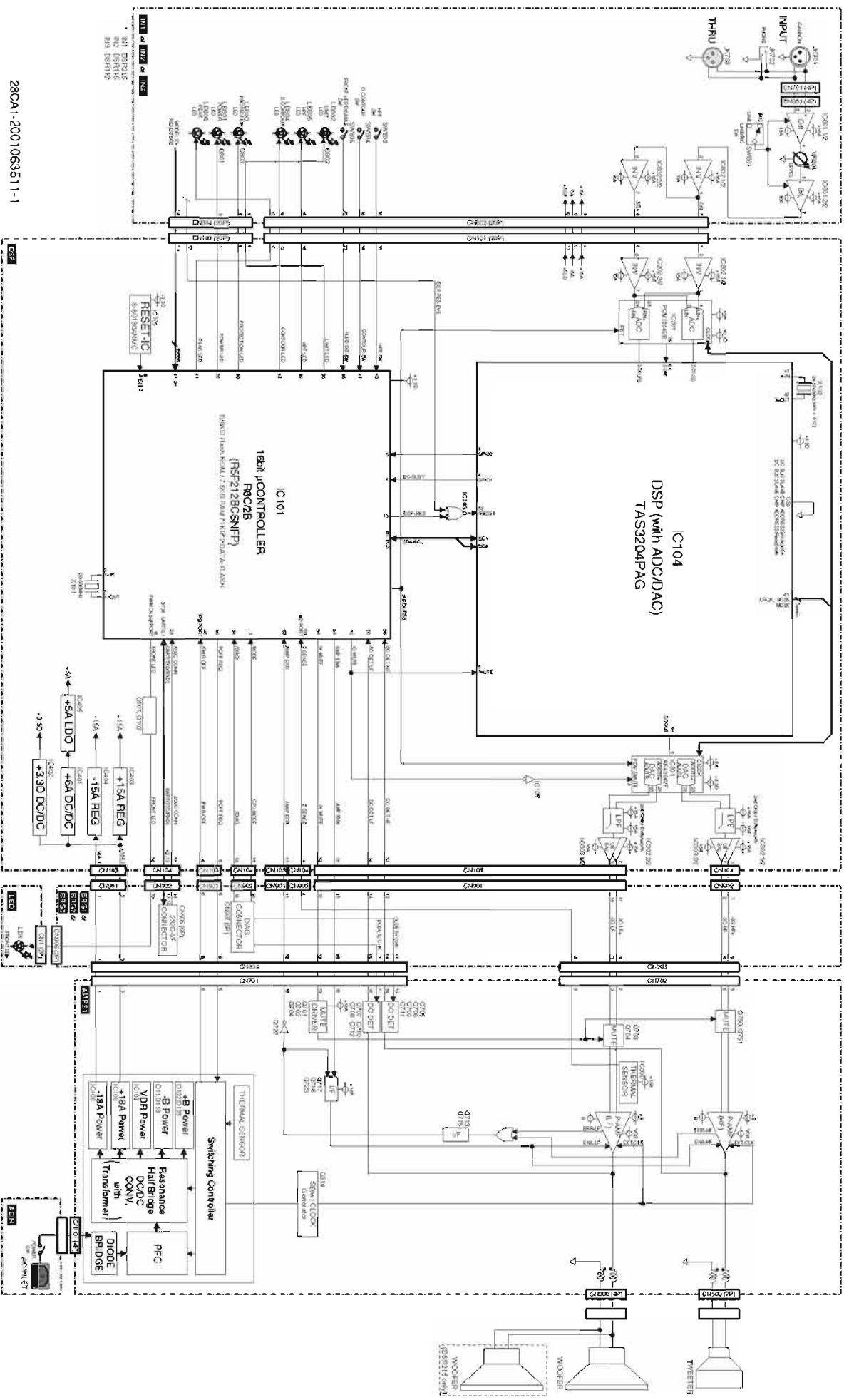
■ WARNING (注意)

Components having special characteristics are marked  and must be replaced with parts having specification equal to those originally installed.

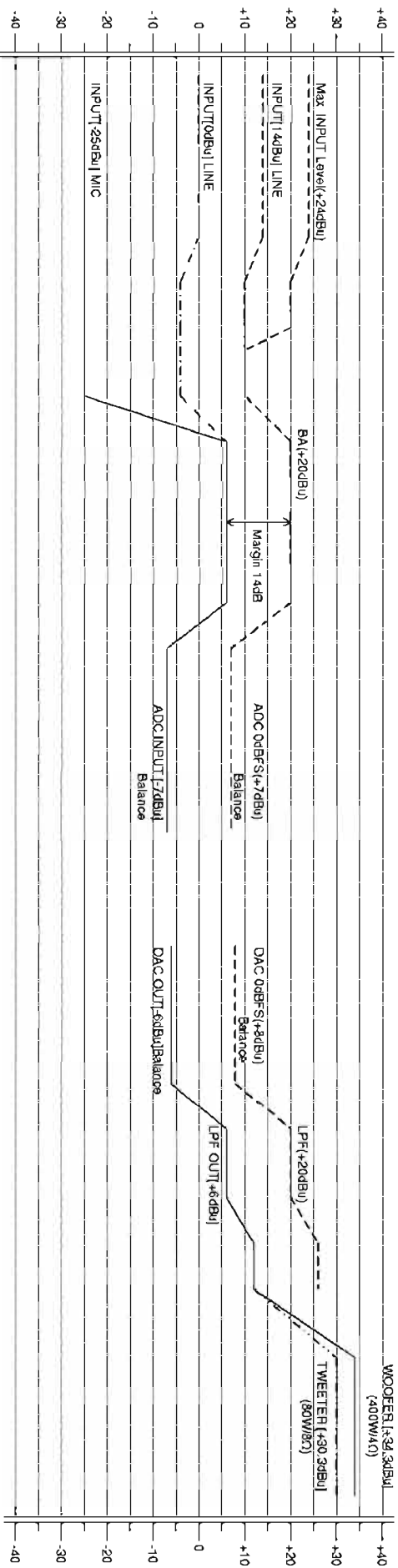
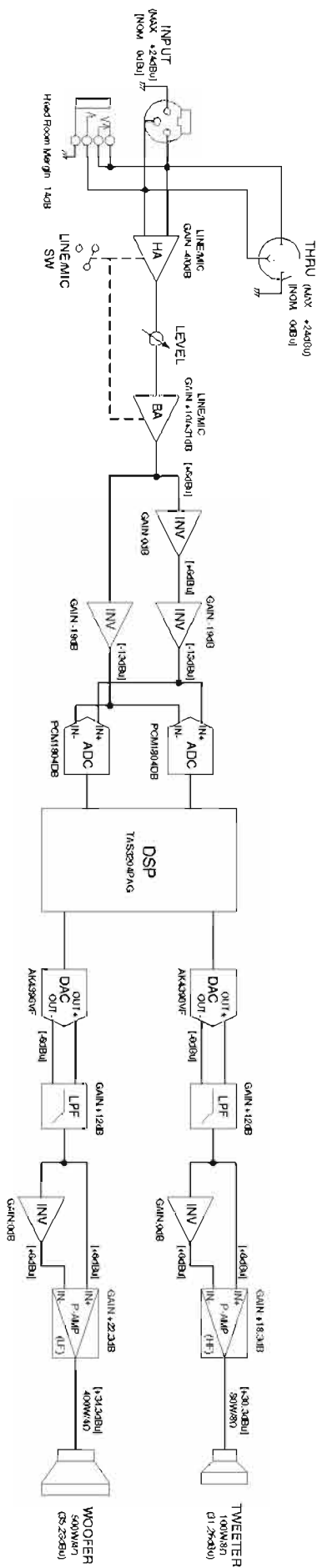
 印の商品は、安全を維持するために重要な部品です。交換する場合は、安全のために必ず指定の部品をご使用ください。

■ BLOCK DIAGRAM (ブロックダイヤグラム)

DSR112/DSR115/DSR215 1/2



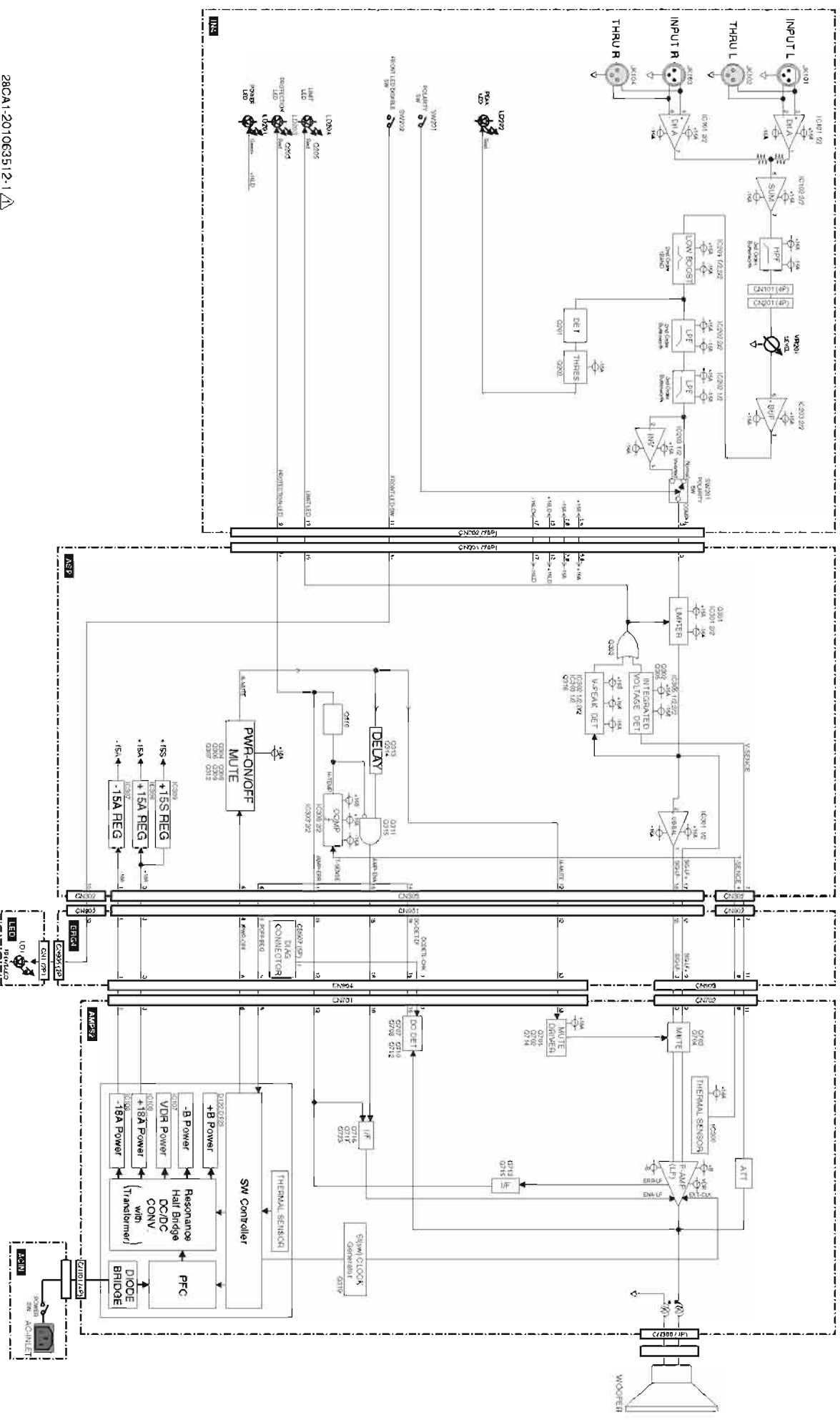
280CA1-20010635T1-1



Notice
This level diagram is based on the all internal equalizer settings are 'Flat' position and all internal dynamics effects are 'OFF' position.

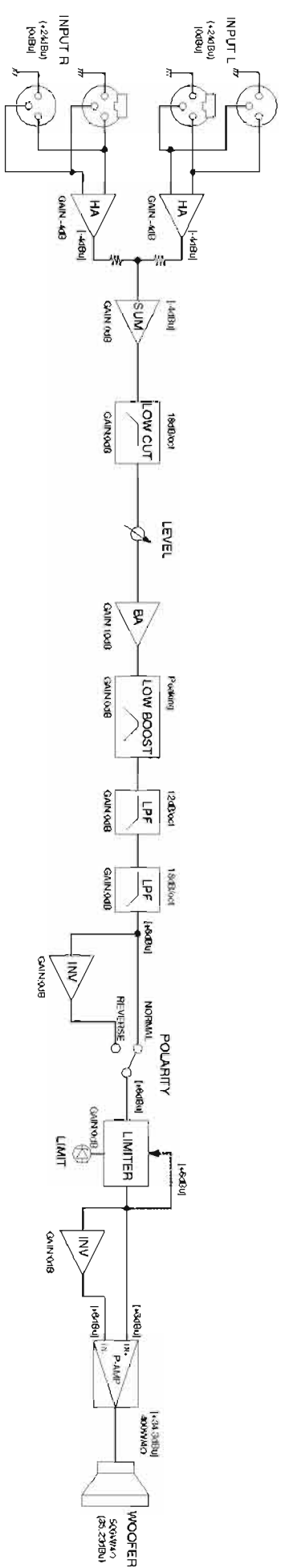
28CA1-2001063511-2

DSR118W 1/2

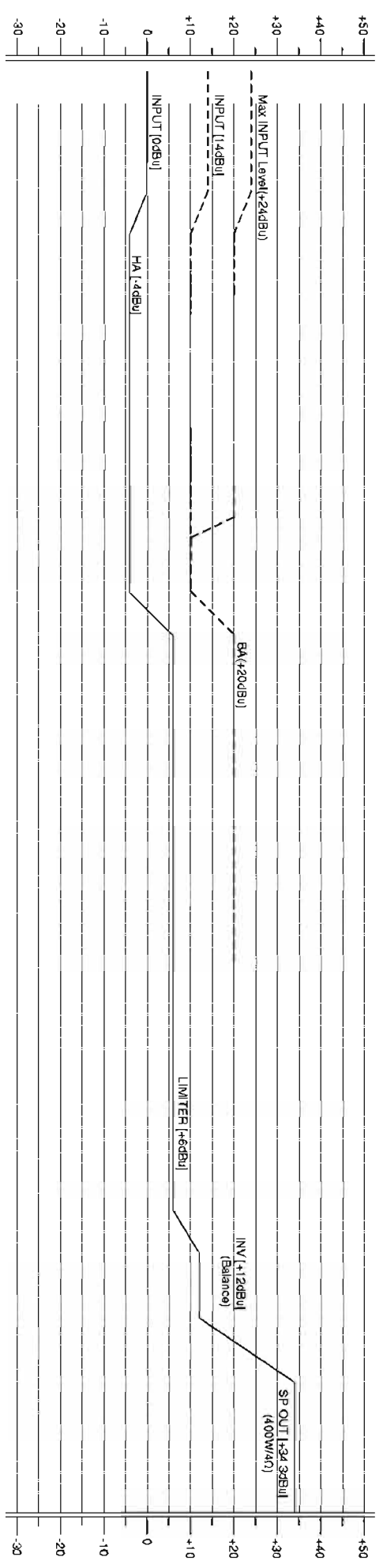


28CA1-201063512-1

DSR118W 2/2



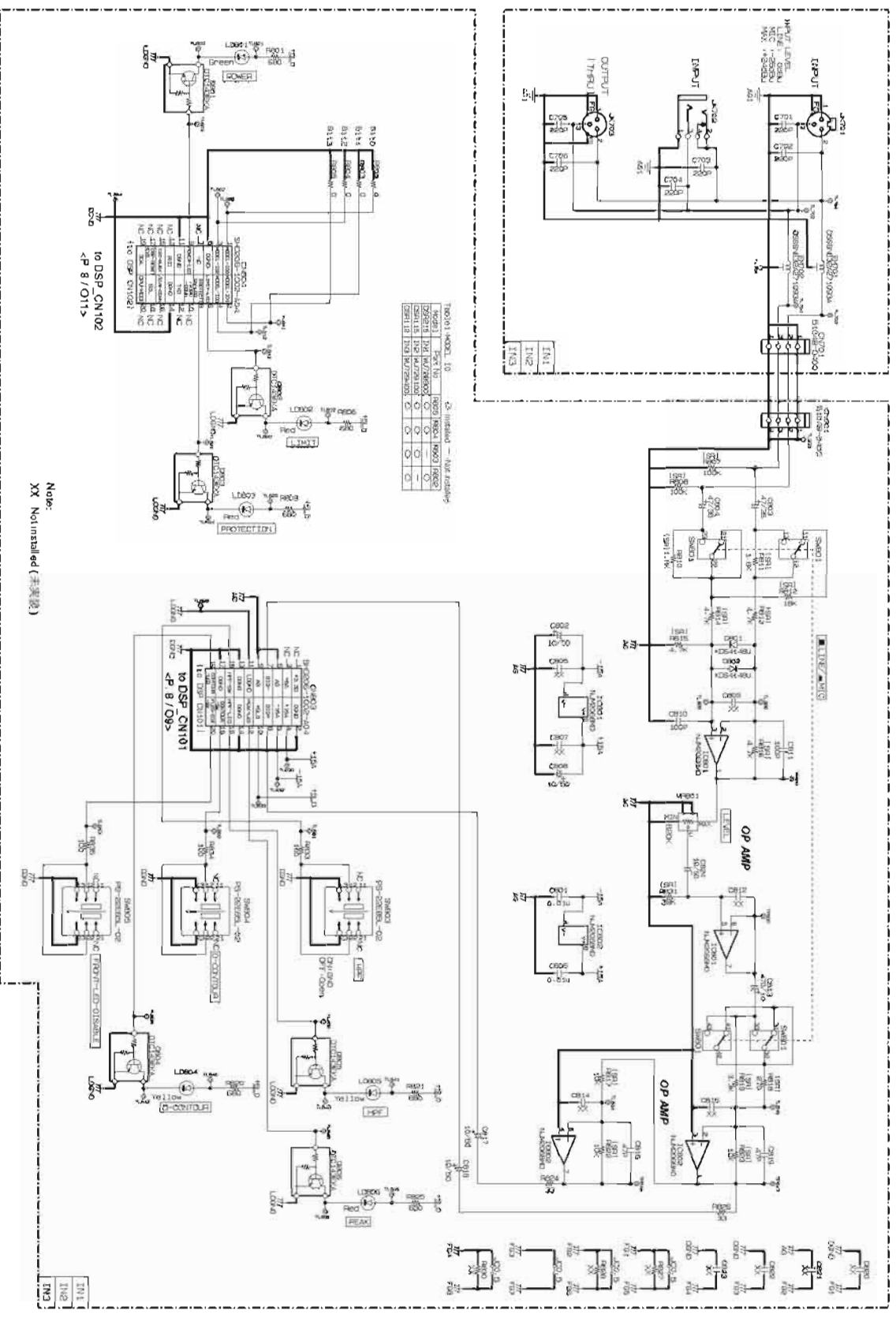
Notice
 This level diagram is based on the internal LOW BOOST setting is "Flat" position
 This level diagram is based on only one input channel(Lch or Rch) is used and the other channel is no signal.



28CA1-2001063512-2

OVERALL CIRCUIT DIAGRAM (総回路図)
IN1/IN2/IN3

DSR112/DSR115/DSR215



TR001 MODEL I/O

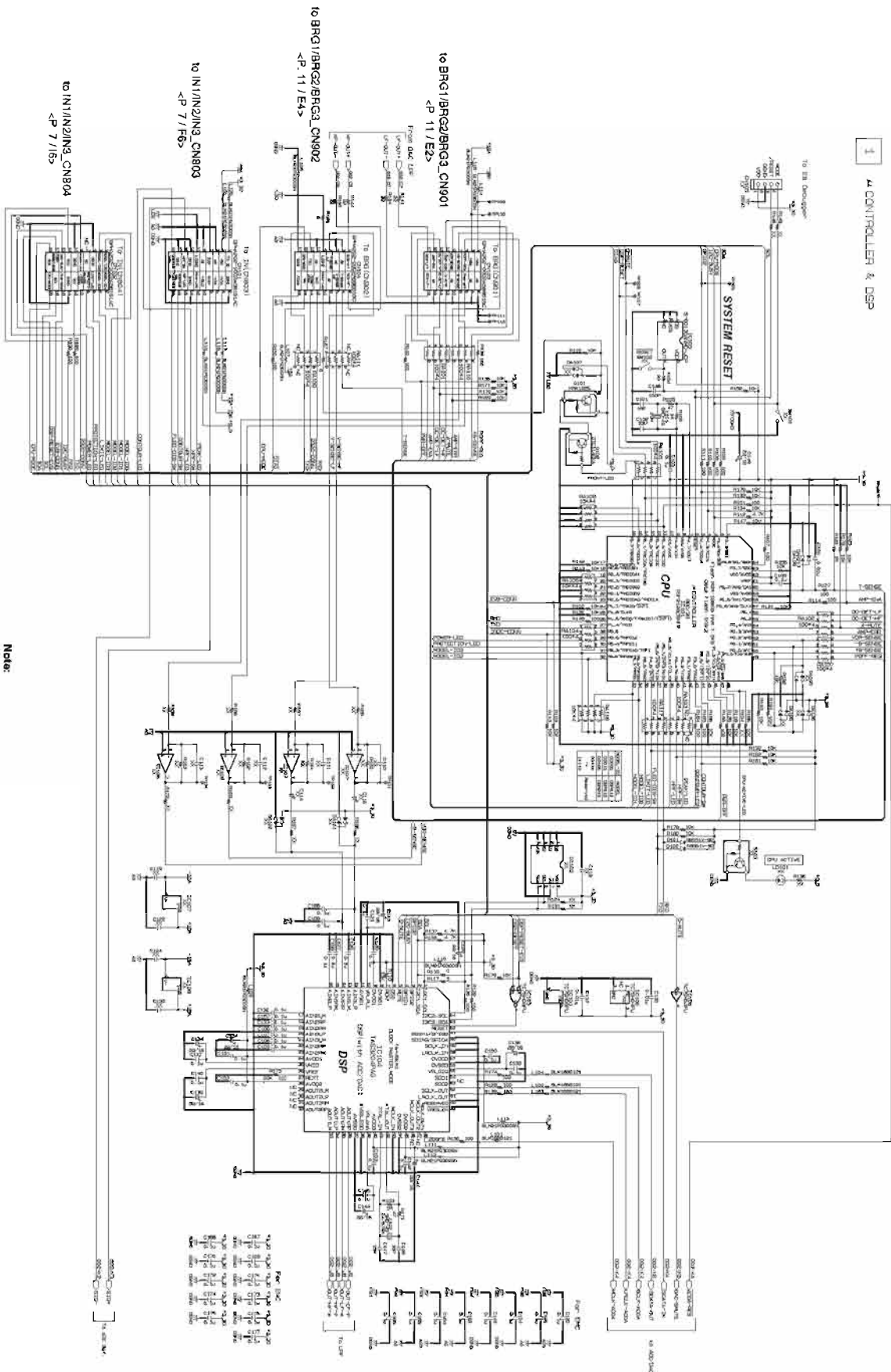
MODEL	TYPE	NO.	RESISTANCE	NO.	RESISTANCE
DSR112	IN1	100k	100k	100k	100k
DSR115	IN2	100k	100k	100k	100k
DSR215	IN3	100k	100k	100k	100k

Note:
XX Not installed (未搭載)

DSP 1/3

DSR112/DSR115/DSR215

1 4 CONTROLLER & DSP

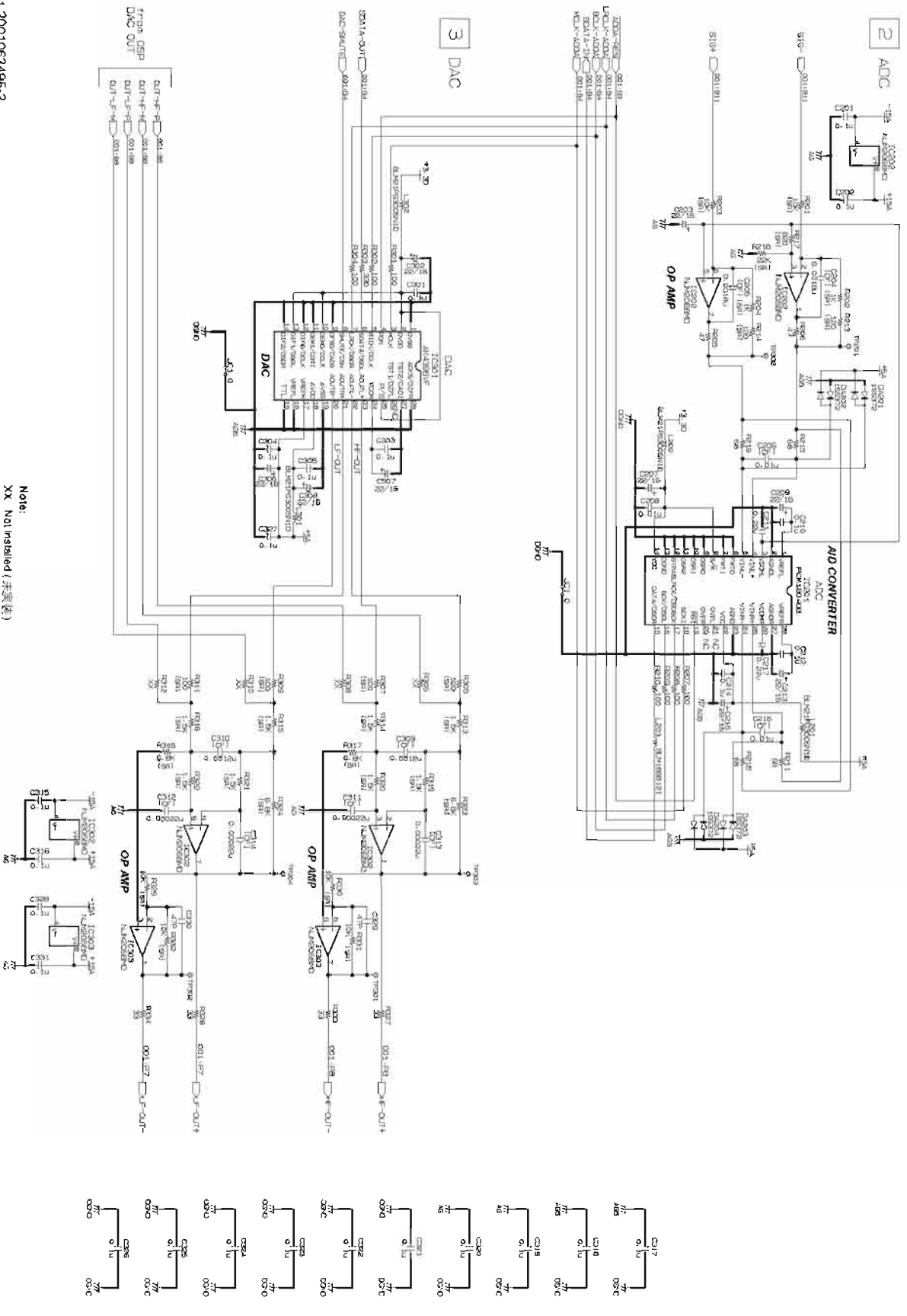


Note:
XX: Not installed (未実装)

280C1-2001063495-1

DSP 2/3

DSR112/DSR115/DSR215

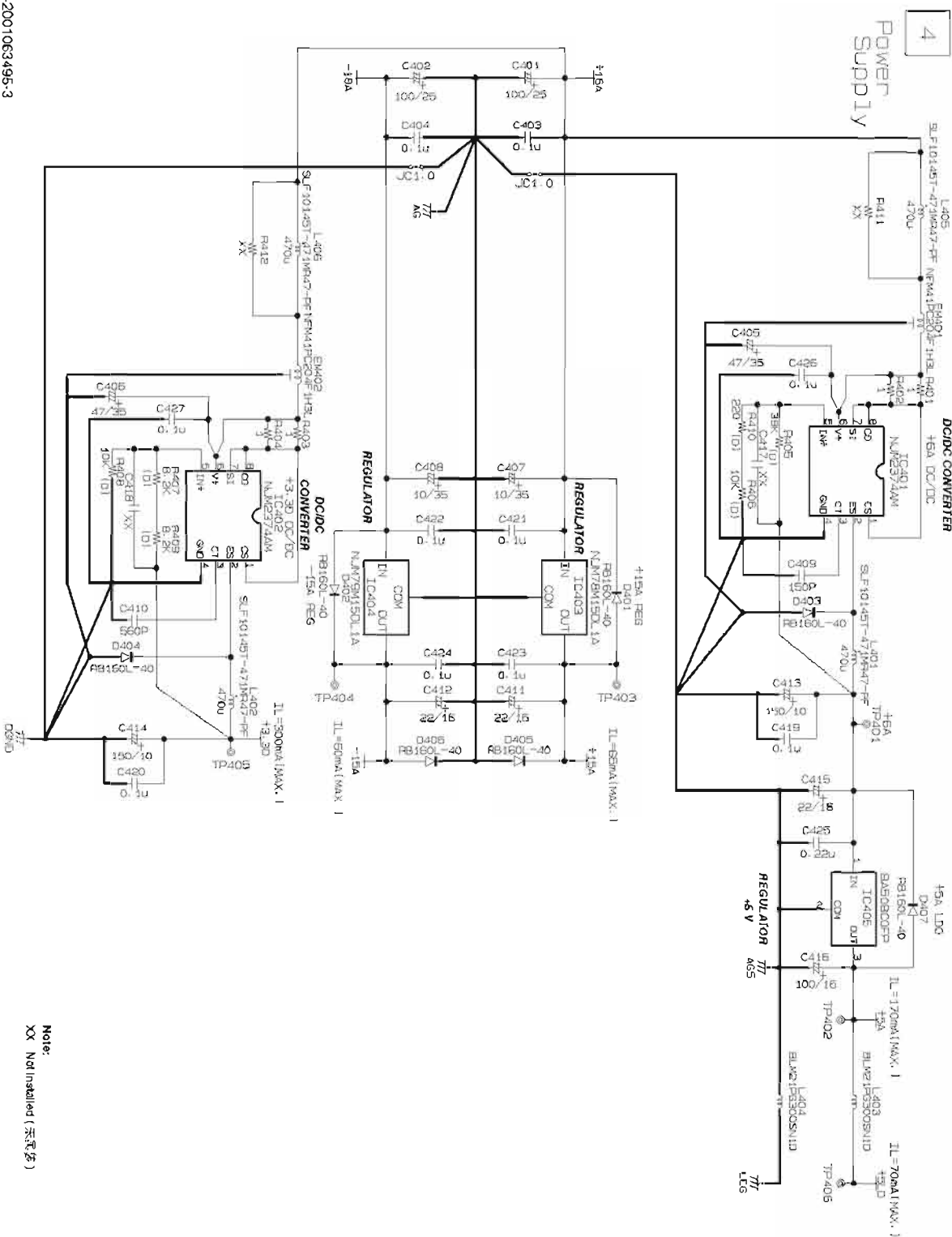


280C1-2001063495-2

Note:
XX Not installed (未実装)

DSP 3/3

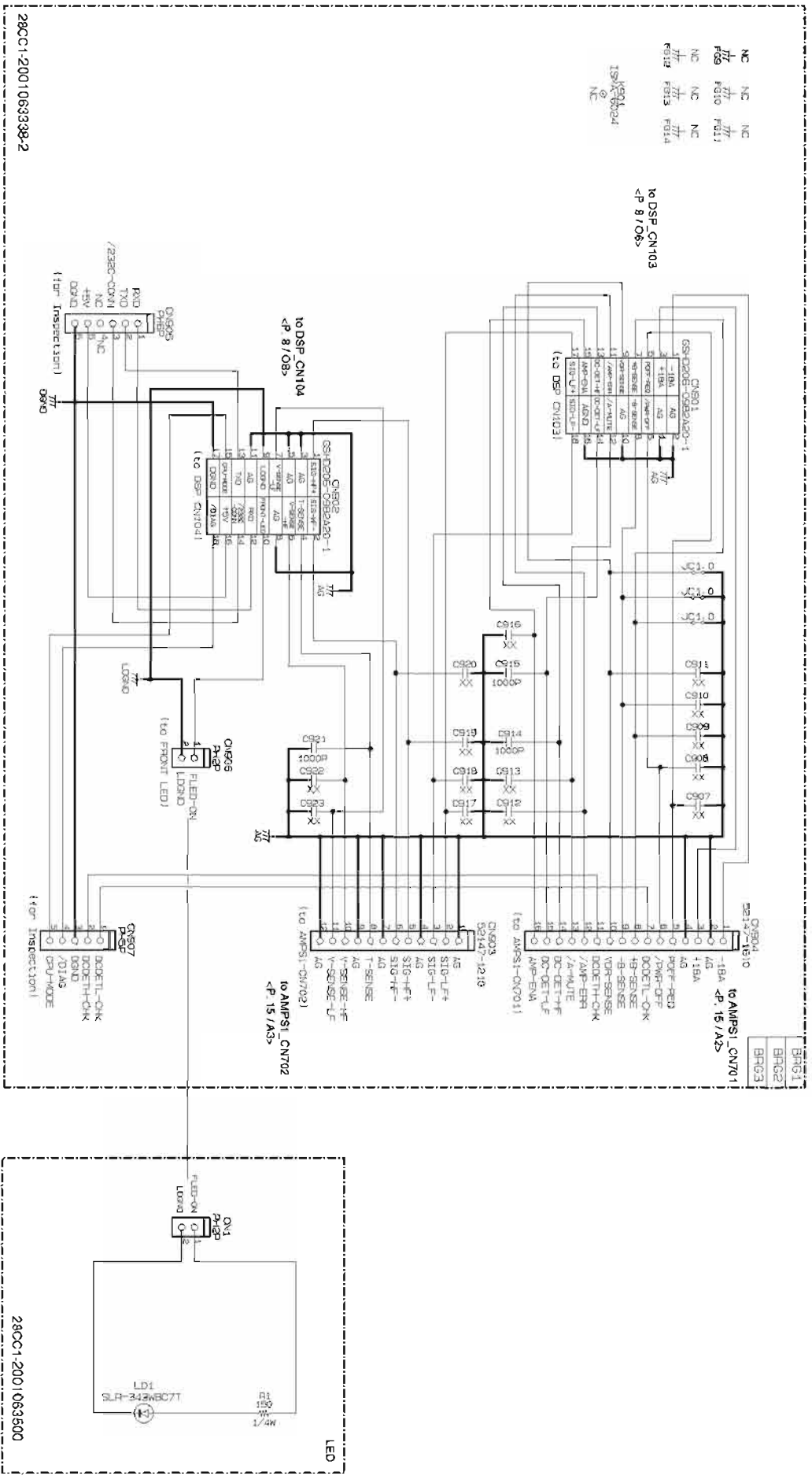
DSR112/DSR115/DSR215



Note: XX Not installed (未安装)

BRG1/BRG2/BRG3 / LED

DSR112/DSR115/DSR215



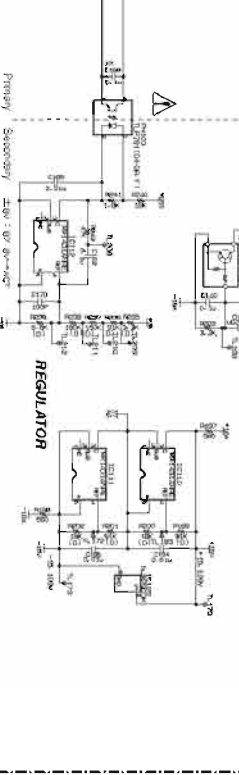
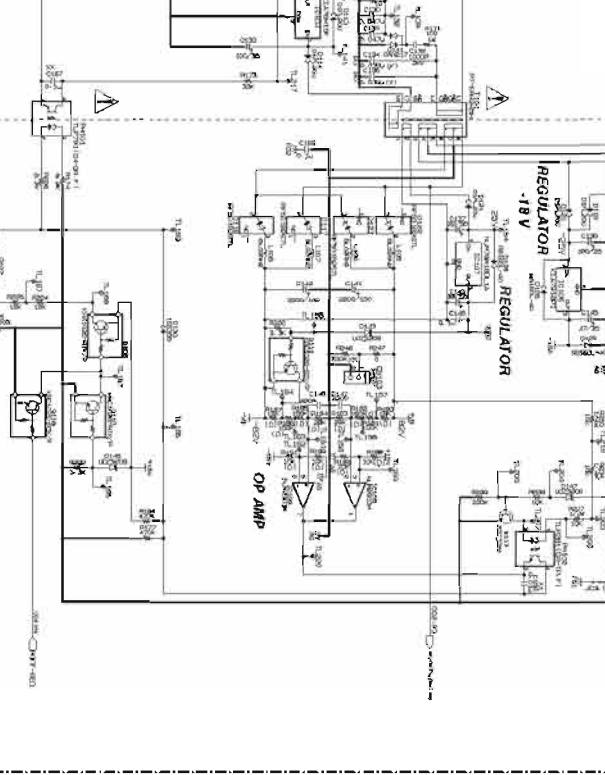
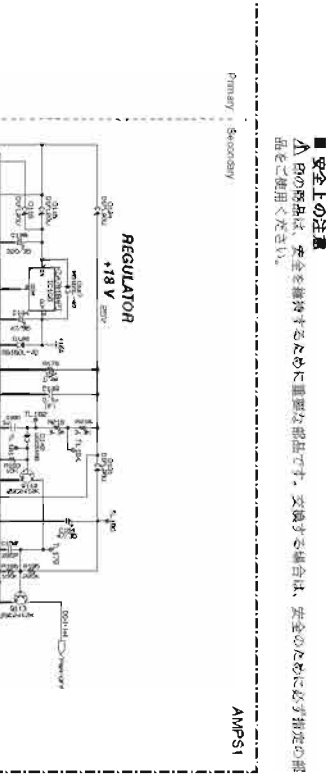
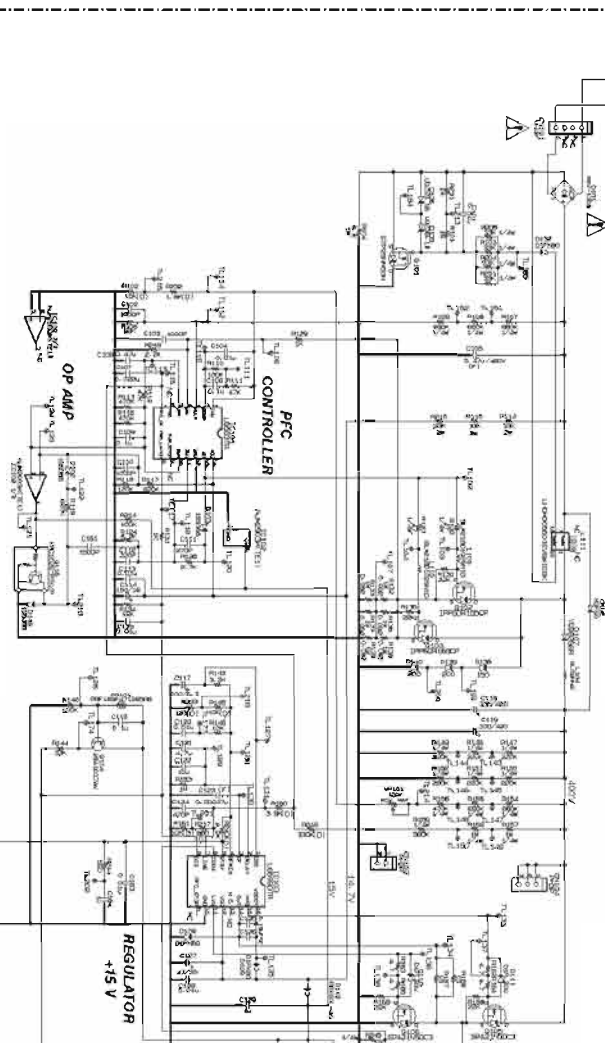
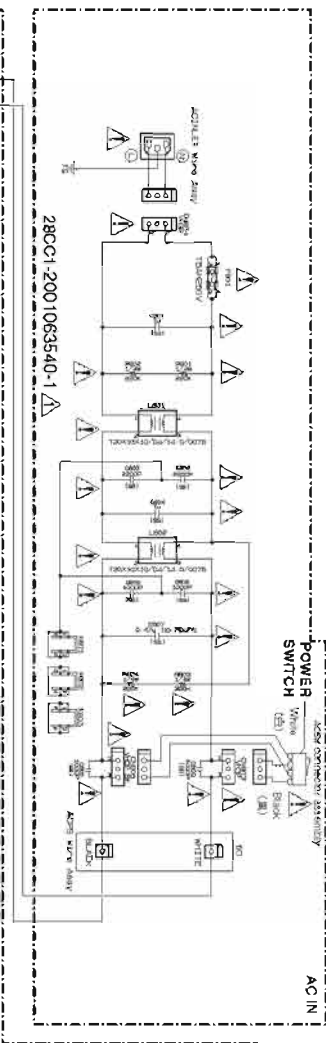
Note:
XX, Not installed (未設置)

28CC1-2001069398-2

28CC1-20010693800

ACIN / AMPS1 1/4

DSR112/DSR115/DSR215



WARNING
 Components having special characteristics are marked Δ and must be replaced with parts having specification equal to those originally installed

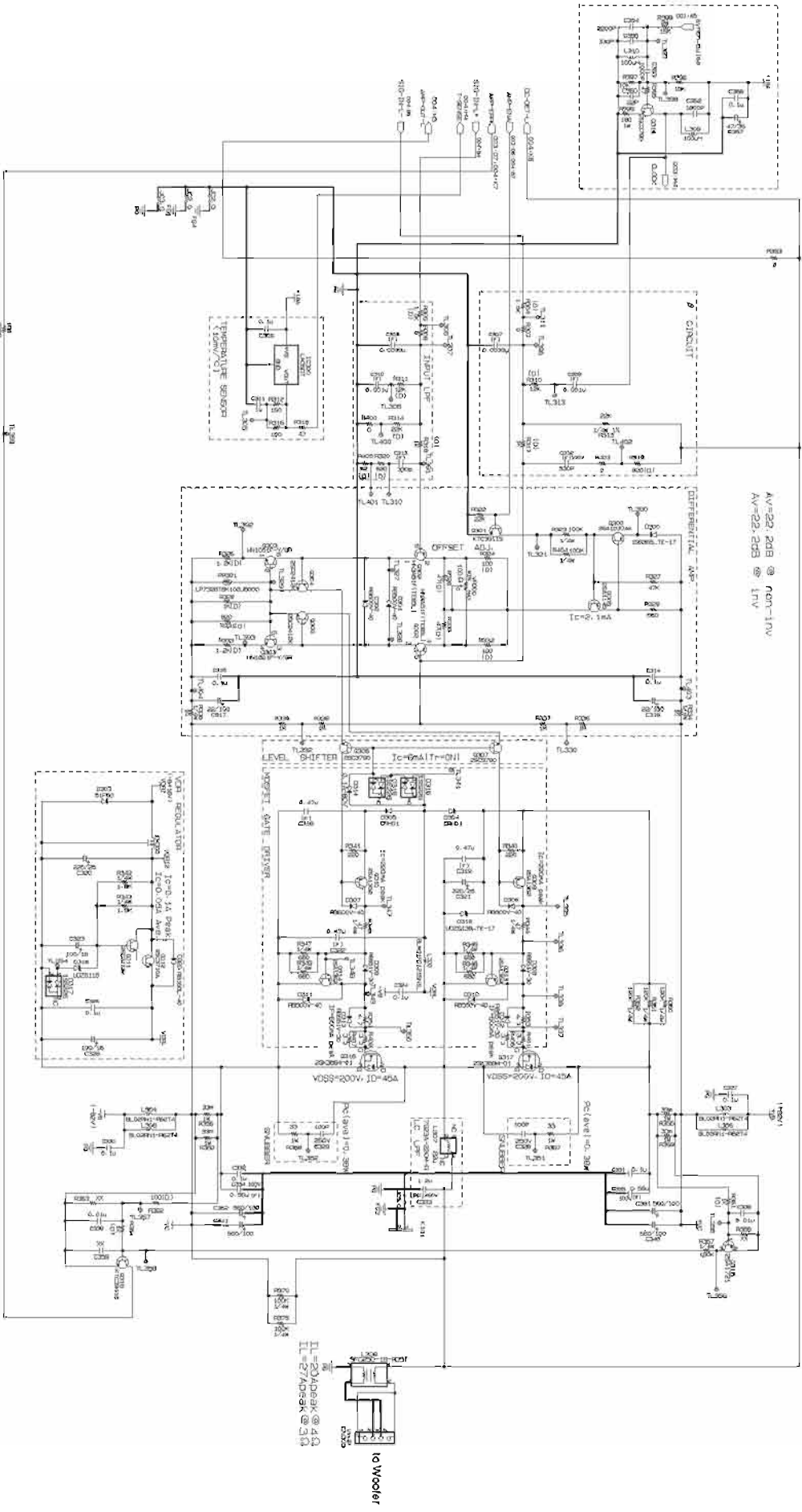
安全上の注意
 Δ 印の部品は、安全を維持するために重要な部品です。交換する場合は、安全のために必ず指定の部品をご使用ください。

Note:
 XX : Not installed (未実装)

28CC1-20010635Z7-1 Δ

AMPS1 2/4

DSR112/DSR115/DSR215

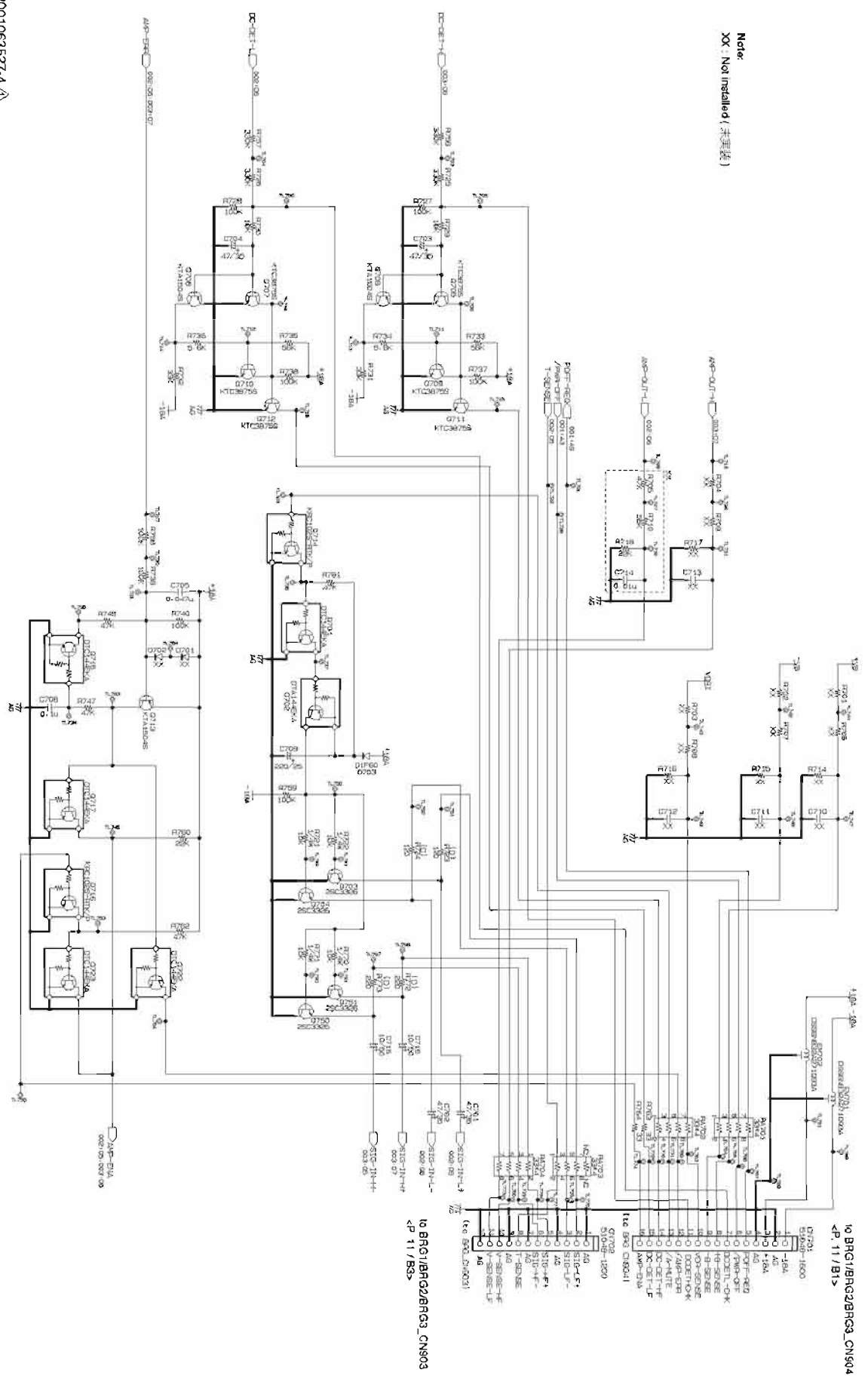


28CC1-200 1063527-2

Note:
XX Not installed (非実装)

AMPS1 4/4

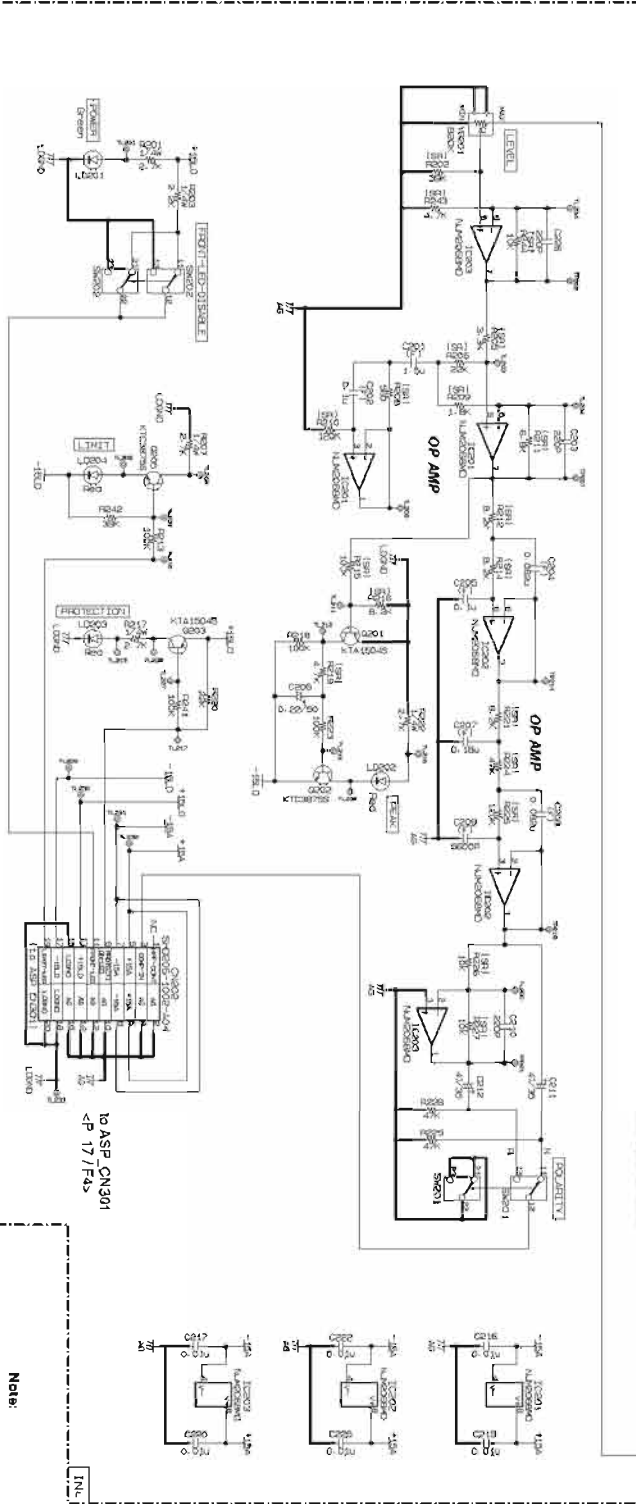
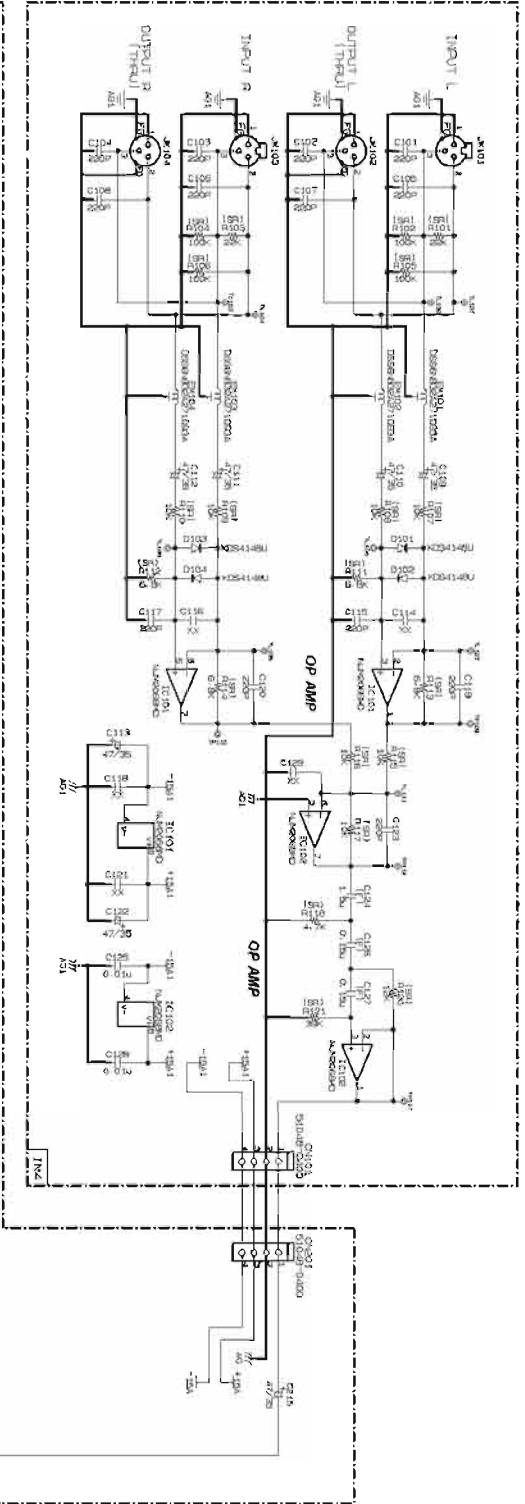
DSR112/DSR115/DSR215



Note:
XX: Not installed (未実装)

IN4

DSR118W



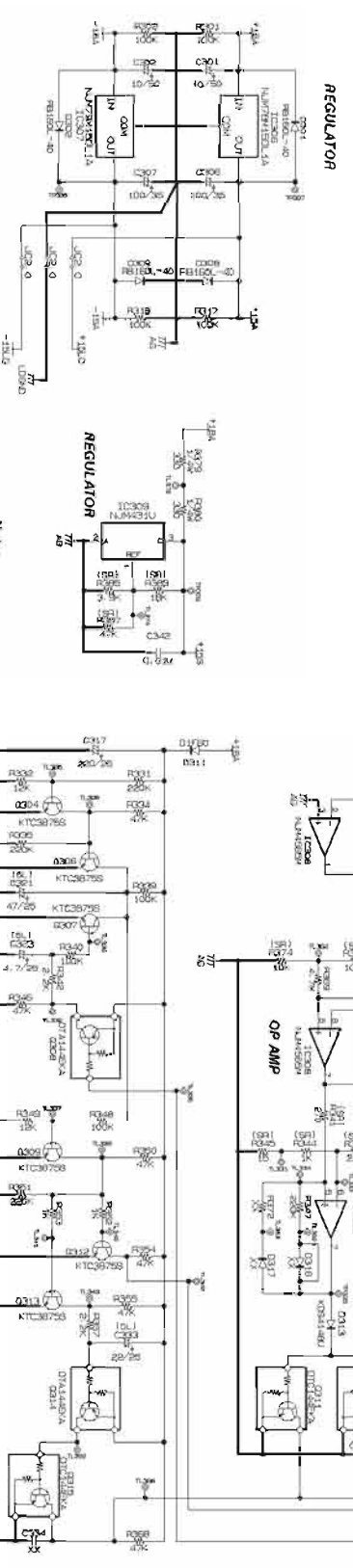
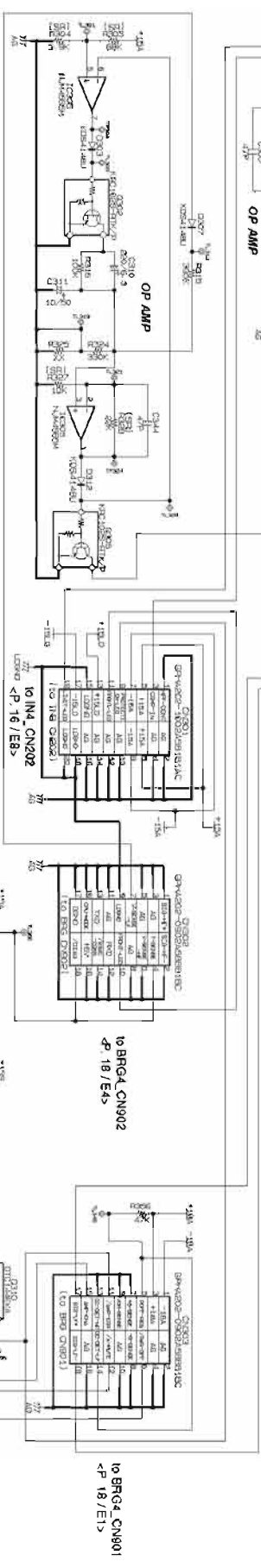
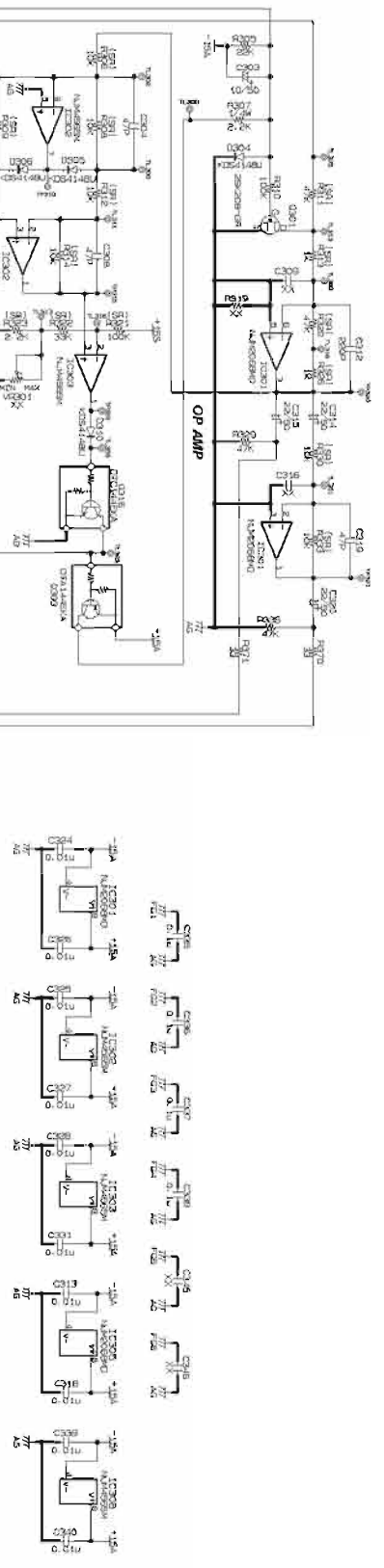
10 ASP-CN301
<P 17/F45

Note:
XX Not installed (未実装)

28CC1-2001063344-1

ASP

DSR118W

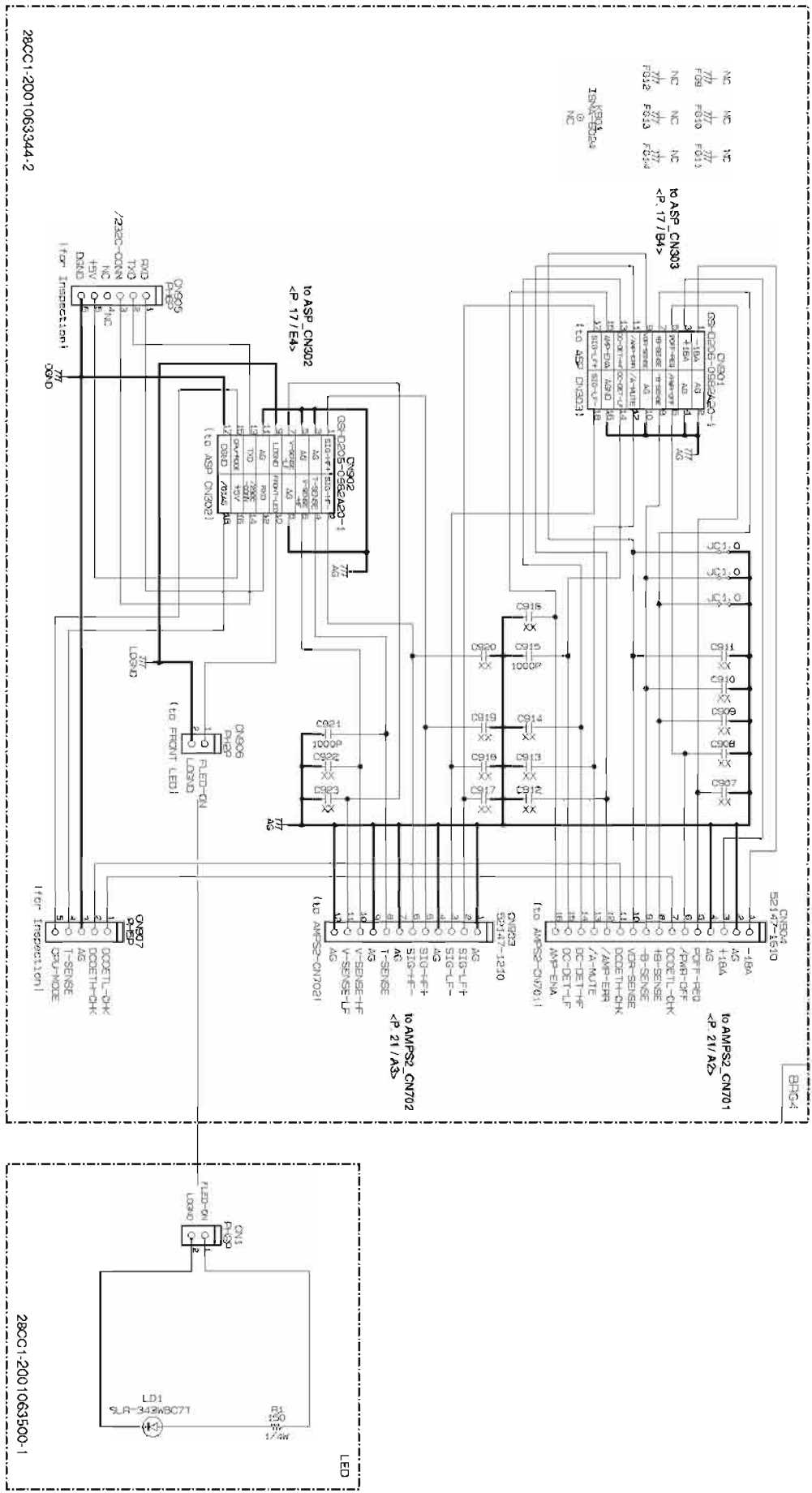


280C1-2001063346-1

Note
XX - Not installed (未実装)

BRG4 / LED

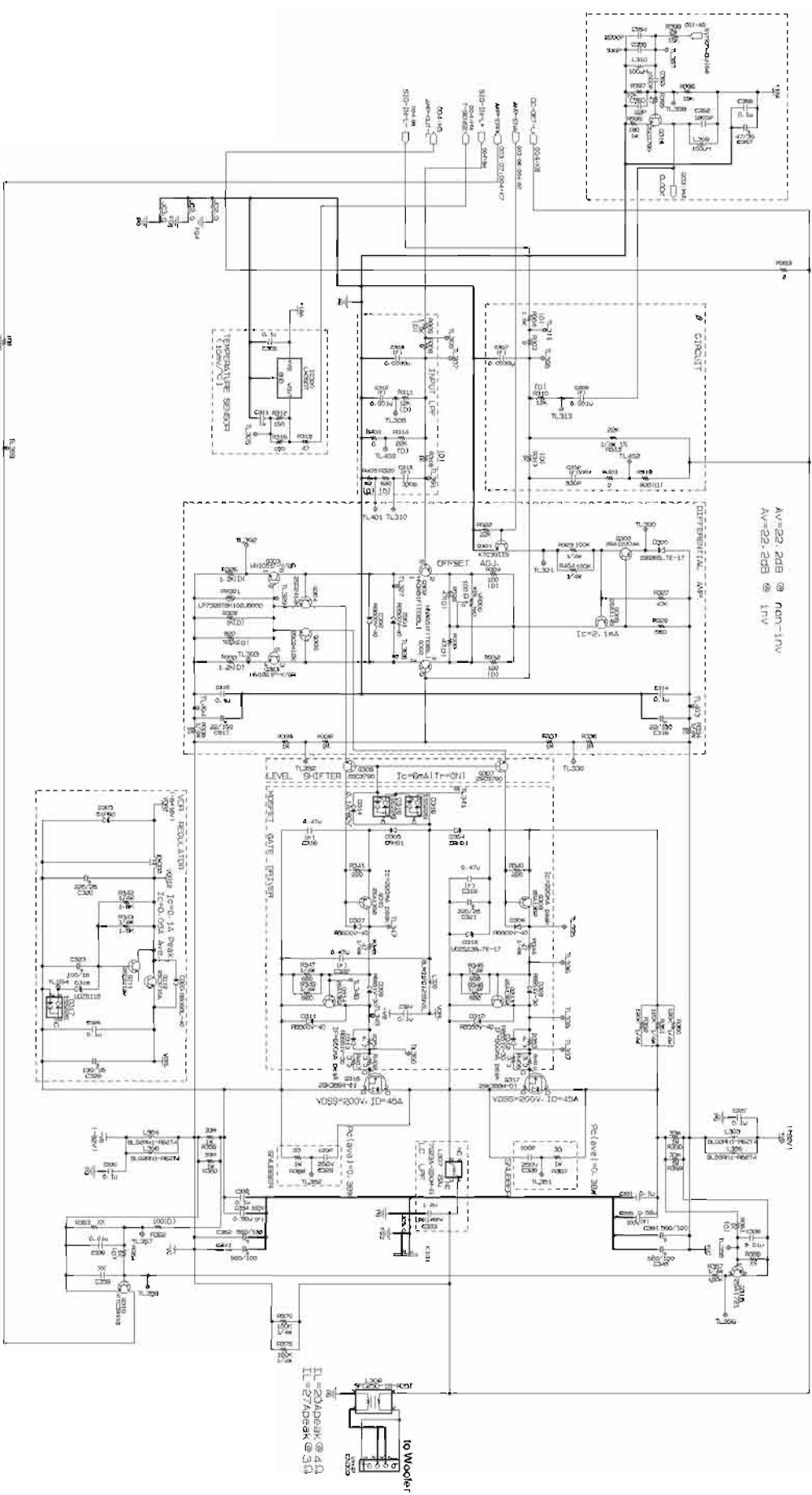
DSR1 18W



Note:
XX - Not installed (未実装)

28CC1-2001063344-2

28CC1-2001063500-1

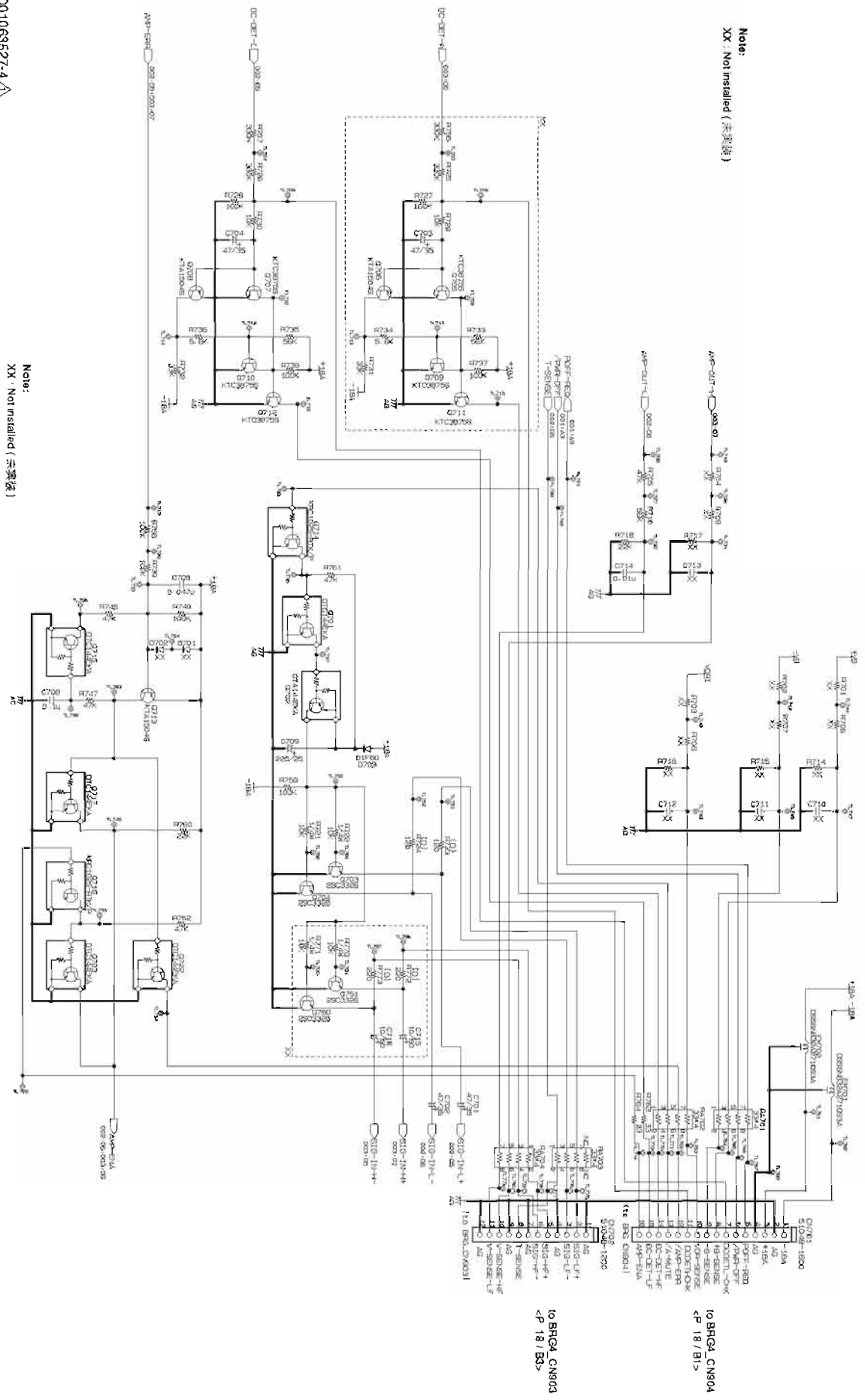


28CC1-2001063527-2

Note:
XX Not installed (非実装)

AMPS2 3/3

DSR1 18W



Note:
XX - Not installed (未実装)

Note:
XX - Not installed (未実装)